

#### Approvals



#### Life expectancy

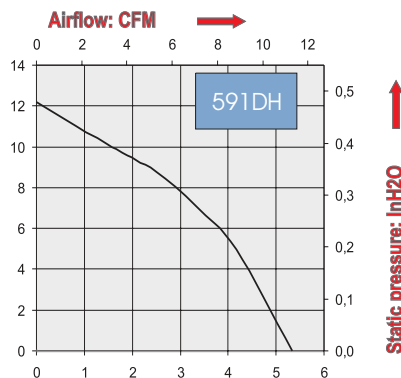
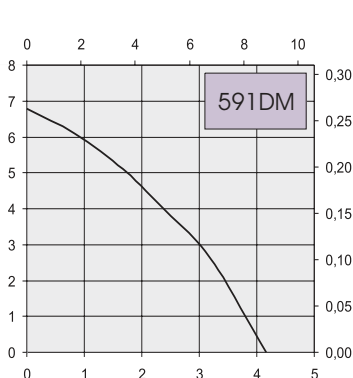
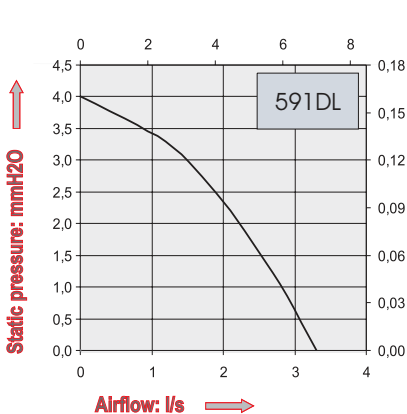
L-10 LIFE AT 40°C:  
25 000 hours

#### Brushless DC Motor

Electrical protection: integrated circuit  
Housing material: plastic UL 94 V0  
Impeller material: plastic UL 94 V0  
Maximum weight: 95 g  
Bearing system: ball bearings  
Connection: flying leads  
IP 20

#### Available with:

- Speed sensor
- Alarm
- IP 54 / IP 55



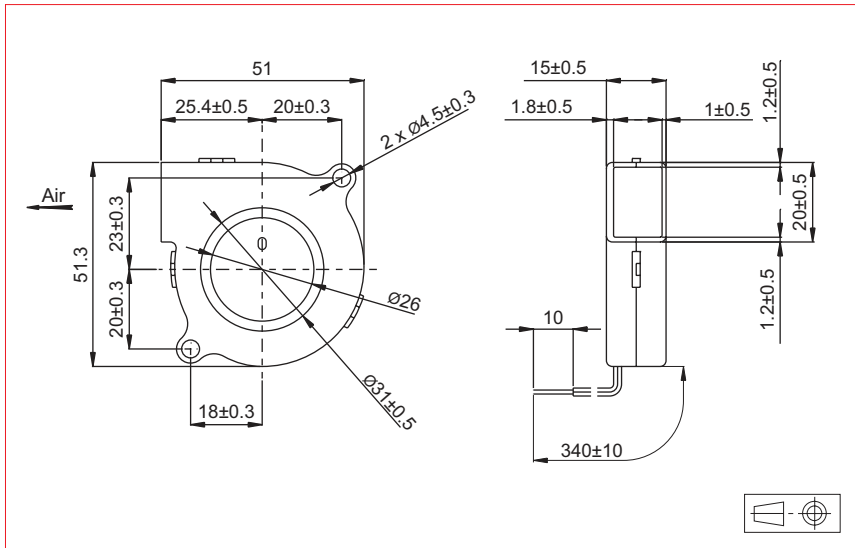
Part Number	Nominal voltage	Airflow	Noise level	Nominal speed	Input Power	Voltage range	Operating temperature	
	V	l/s	dB(A)	RPM	W	V	Min.°C	Max.°C
591DL1LP11000	12	3,3	26	1900	0,72	(7-13,8)	-10	60
591DL2LP11000	24	3,3	26	1900	1,20	(14-27,6)	-10	60
591DM1LP11000	12	4,2	32	2350	1,56	(7-13,8)	-10	60
591DM2LP11000	24	4,2	32	2350	1,68	(14-27,6)	-10	60
591DH1LP11000	12	5,3	38	2900	2,64	(7-13,8)	-10	60
591DH2LP11000	24	5,3	38	2900	2,88	(14-27,6)	-10	60

**2,007" x 2,019" x 0,59" 51 x 51,3 x 15 mm**

**Series 593D**

**ETRI®**

DC Centrifugal Blowers



**Approvals**



**Life expectancy**

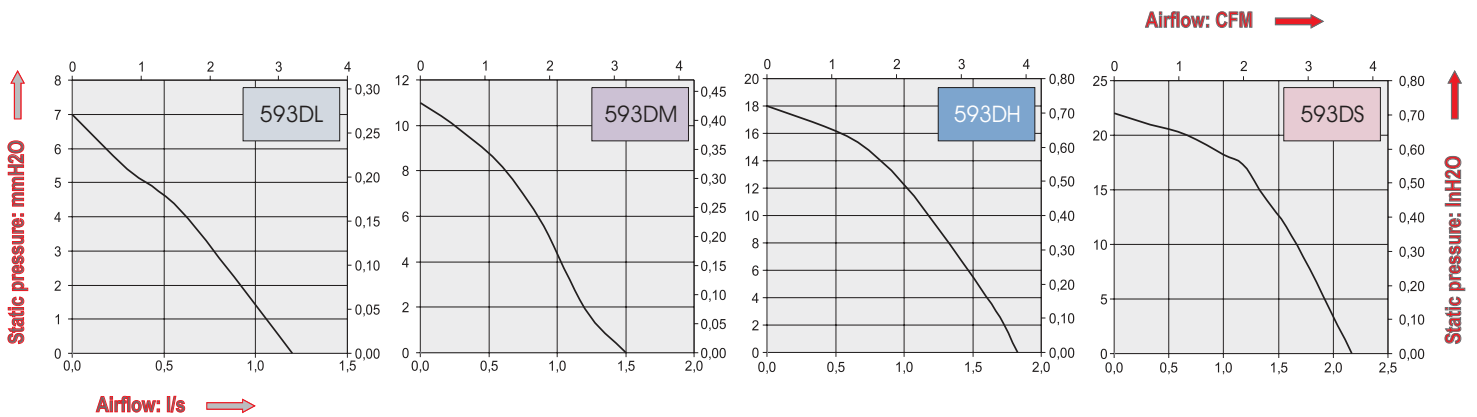
L-10 LIFE AT 40°C:  
25 000 hours

**Brushless DC Motor**

Electrical protection: integrated circuit  
Housing material: plastic UL 94 V0  
Impeller material: plastic UL 94 V0  
Maximum weight: 28 g  
Bearing system: ball bearings  
Connection: flying leads  
IP 20

**Available with:**

- Speed sensor
- Alarm



Part Number	Nominal voltage	Airflow	Noise level	Nominal speed	Input Power	Voltage range	Operating temperature	
	V	l/s	dB(A)	RPM	W	V	Min.°C	Max.°C
593DL5LP11000	5	1,2	26,5	3500	0,7	(4-5,5)	-10	70
593DL1LP11000	12	1,2	26,5	3500	0,8	(10-13,8)	-10	70
593DL2LP11000	24	1,2	26,5	3500	1,2	(14-27,6)	-10	70
593DM5LP11000	5	1,5	32,5	4500	1,7	(4-5,5)	-10	70
593DM1LP11000	12	1,5	32,5	4500	1,2	(10-13,8)	-10	70
593DM2LP11000	24	1,5	32,5	4500	1,7	(14-27,6)	-10	70
593DH1LP11000	12	1,8	38	5500	1,9	(10-13,8)	-10	70
593DH2LP11000	24	1,8	38	5500	2,2	(14-27,6)	-10	70
593DS1LP11000	12	2,2	45	6500	2,5	(10-13,8)	-10	70
593DS2LP11000	24	2,2	45	6500	2,6	(14-27,6)	-10	70

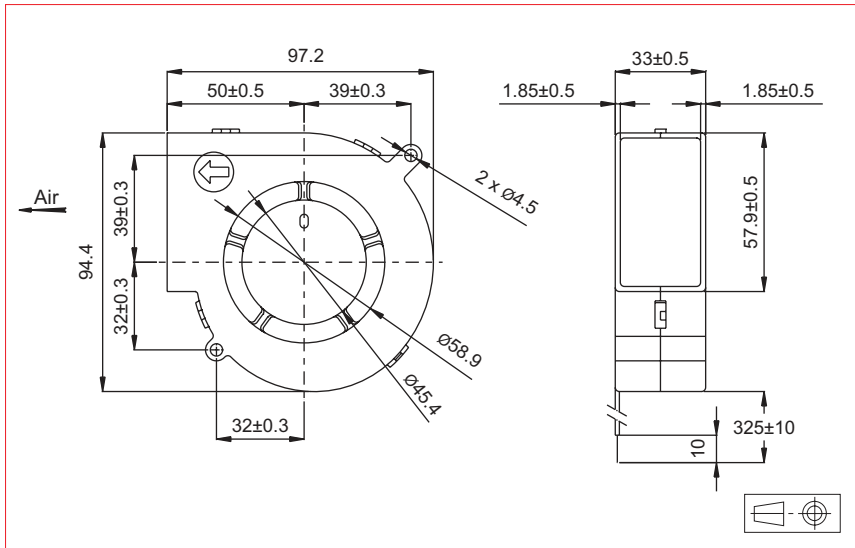
3,83" x 3,71" x 1.3"

97,2 x 94,4 x 33 mm

Series  
595D

**ETRI**<sup>®</sup>

DC Centrifugal Blowers



Approvals



Life expectancy

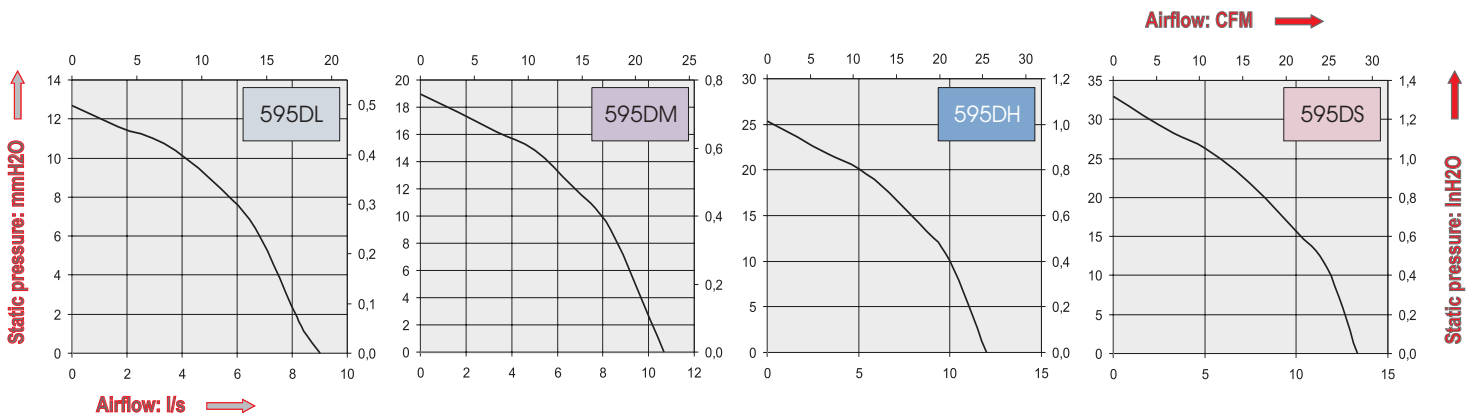
L-10 LIFE AT 40°C:  
25 000 hours

Brushless DC Motor

Electrical protection: integrated circuit  
Housing material: plastic UL 94 V0  
Impeller material: plastic UL 94 V0  
Maximum weight: 160 g  
Bearing system: ball bearings  
Connection: flying leads  
IP 20

Available with:

- Speed sensor
- Alarm
- IP 54 / IP 55



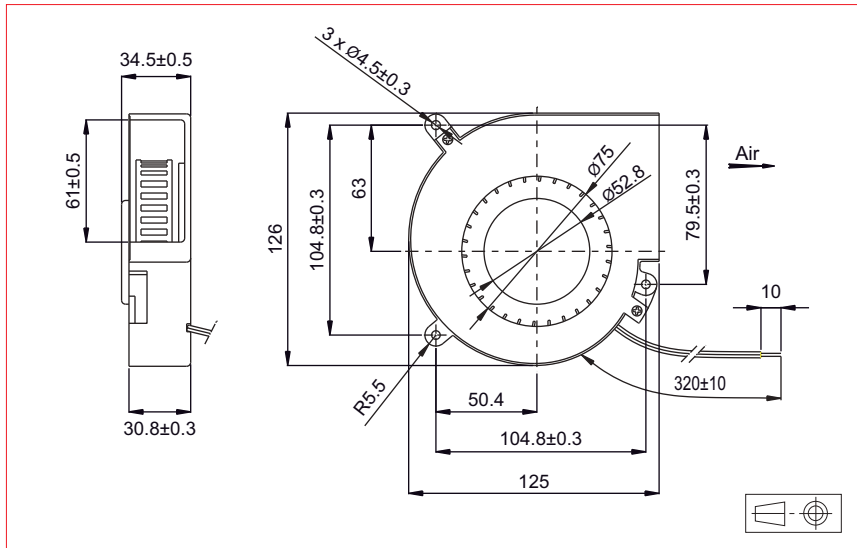
Part Number	Nominal voltage	Airflow	Noise level	Nominal speed	Input Power	Voltage range	Operating temperature	
	V	l/s	dB(A)	RPM	W	V	Min.°C	Max.°C
595DL1LP11000	12	9,0	45	2700	3,8	(4-13,8)	-10	60
595DL2LP11000	24	9,0	45	2700	3,8	(7-27,6)	-10	60
595DM1LP11000	12	10,7	49	3200	6,8	(4-13,8)	-10	60
595DM2LP11000	24	10,7	49	3200	6,2	(7-27,6)	-10	60
595DH1LP11000	12	12,0	52	3600	9,6	(4-13,8)	-10	60
595DH2LP11000	24	12,0	52	3600	9,6	(7-27,6)	-10	60
595DS1LP11000	12	13,3	55	4000	13,2	(4-13,8)	-10	60
595DS2LP11000	24	13,3	55	4000	13,2	(7-27,6)	-10	60

4,96" x 4,92" x 1,36" 126 x 125 x 34,5 mm

Series  
596D

**ETRI**<sup>®</sup>

DC Centrifugal Blowers



Approvals



Life expectancy

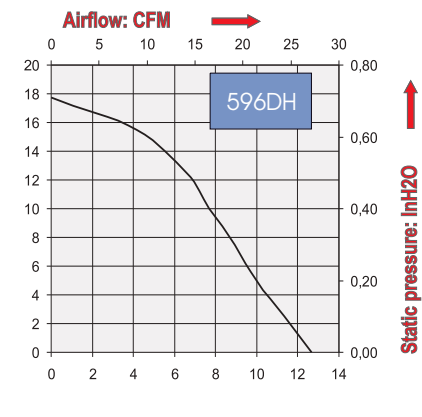
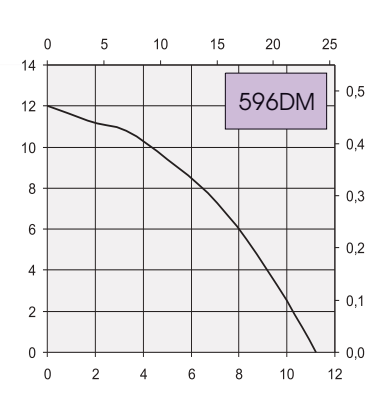
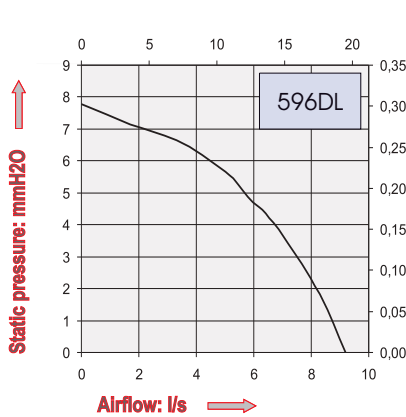
L-10 LIFE AT 40°C:  
25 000 hours

Brushless DC Motor

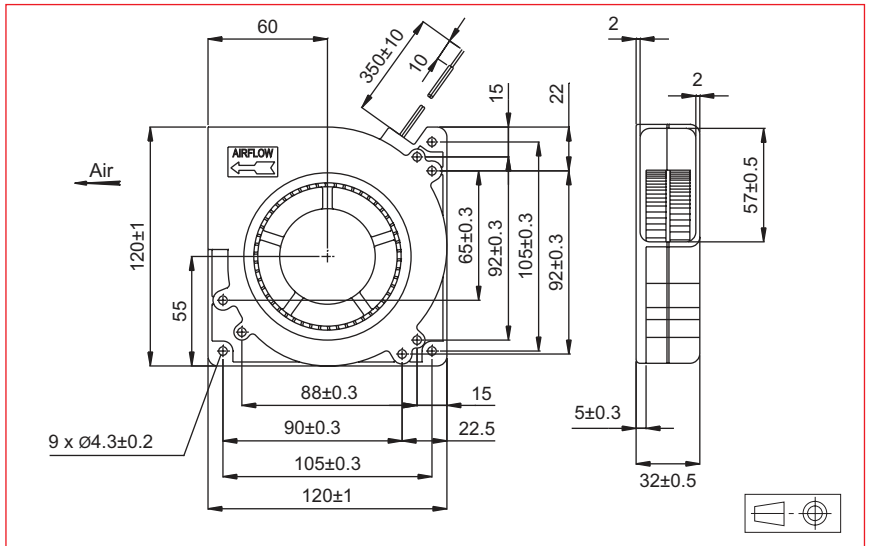
Electrical protection: integrated circuit  
Housing material: plastic UL 94 V0  
Impeller material: plastic UL 94 V0  
Maximum weight: 325 g  
Bearing system: ball bearings  
Connection: flying leads  
IP 20

Available with:

- Speed sensor
- Alarm



Part Number	Nominal voltage	Airflow	Noise level	Nominal speed	Input Power	Voltage range	Operating temperature	
	V	l/s	dB(A)	RPM			Min.°C	Max.°C
596DL1LP11000	12	9,2	42,5	1700	2,9	(7-13,8)	-10	60
596DL2LP11000	24	9,2	42,5	1700	3,1	(14-28)	-10	60
596DL4LP11000	48	9,2	42,5	1700	3,8	(38-56)	-10	60
596DM1LP11000	12	11,2	46,0	2000	5,0	(7-13,8)	-10	60
596DM2LP11000	24	11,2	46,0	2000	5,5	(14-28)	-10	60
596DM4LP11000	48	11,2	46,0	2000	5,8	(38-56)	-10	60
596DH1LP11000	12	12,8	51,5	2300	8,2	(7-13,8)	-10	60
596DH2LP11000	24	12,8	51,5	2300	8,2	(14-28)	-10	60



#### Approvals



#### Life expectancy

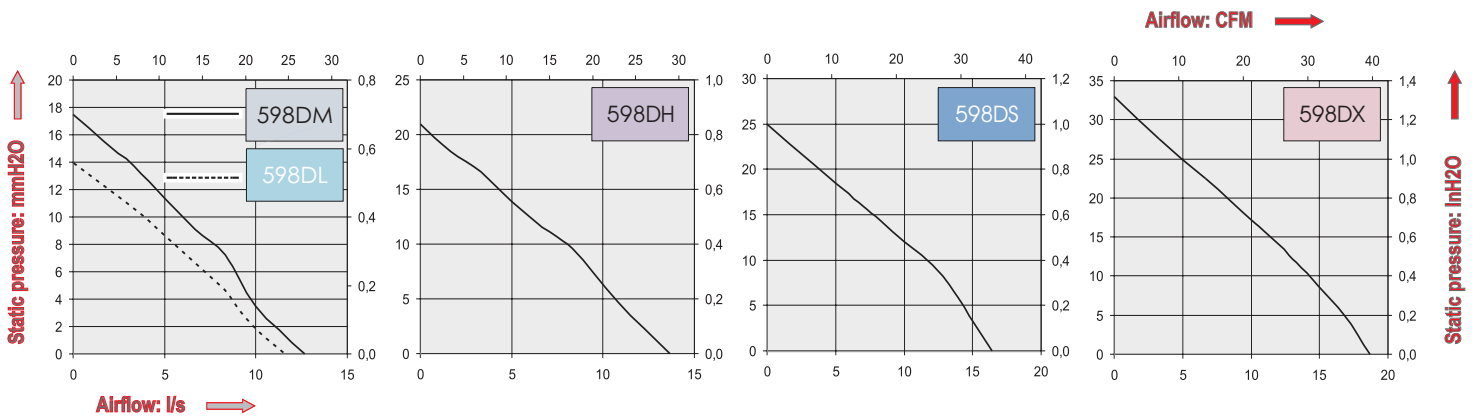
L-10 LIFE AT 40°C:  
25 000 hours

#### Brushless DC Motor

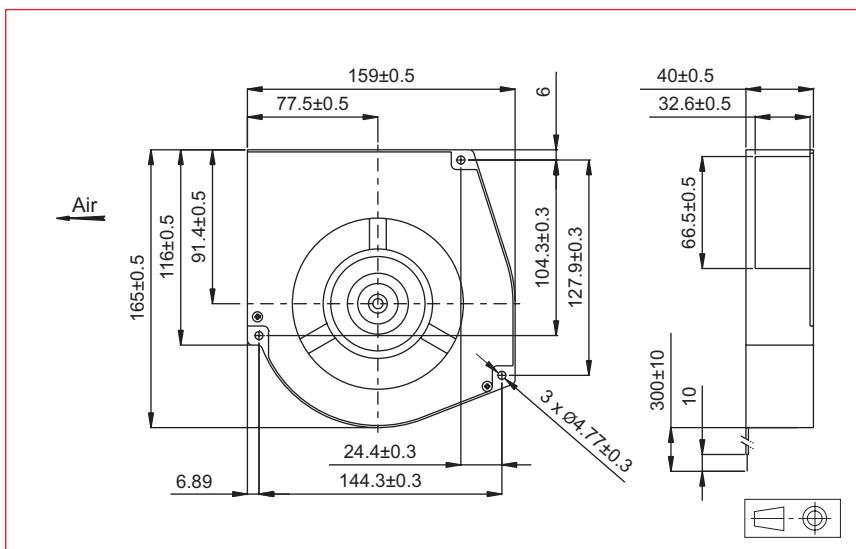
Electrical protection: integrated circuit  
Housing material: plastic UL 94 V0  
Impeller material: plastic UL 94 V0  
Maximum weight: 230 g  
Bearing system: ball bearings  
Connection: flying leads  
IP 20

#### Available with:

- Speed sensor
- Alarm



Part Number	Nominal voltage	Airflow	Noise level	Nominal speed	Input Power	Voltage range	Operating temperature	
	V	l/s	dB(A)	RPM	W	V	Min.°C	Max.°C
598DL1LP11000	12	11,7	47	2100	4,8	(4-13,8)	-10	60
598DL2LP11000	24	11,7	47	2100	5,8	(7-27,6)	-10	60
598DL4LP11000	48	12,5	47	2100	54,3	(28-56)	-10	60
598DM1LP11000	12	12,7	48,5	2300	7,0	(4-13,8)	-10	60
598DM2LP11000	24	12,7	48,5	2300	6,7	(7-27,6)	-10	60
598DM4LP11000	48	13,8	48,5	2300	5,8	(28-56)	-10	60
598DH1LP11000	12	13,7	51	2500	9,8	(4-13,8)	-10	60
598DH2LP11000	24	13,7	51	2500	8,4	(7-27,6)	-10	60
598DH4LP11000	48	14,8	51	2500	7,2	(28-56)	-10	60
598DS1LP11000	12	15,3	54	2800	13,2	(4-13,8)	-10	60
598DS2LP11000	24	16,7	54	2800	12,9	(7-27,6)	-10	60
598DS4LP11000	48	16,7	54	2800	10,6	(28-56)	-10	60
598DX1LP11000	12	18,7	56,5	3100	15,0	(4-13,8)	-10	60
598DX2LP11000	24	18,7	56,5	3100	14,4	(7-27,6)	-10	60



#### Approvals



#### Life expectancy

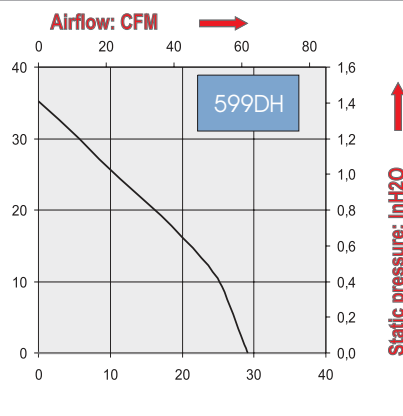
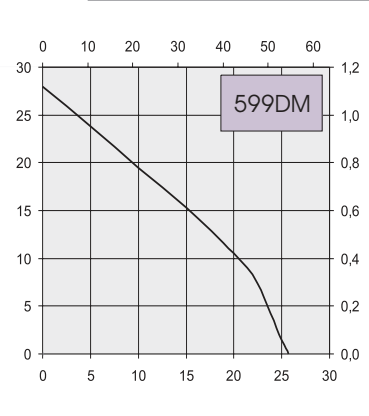
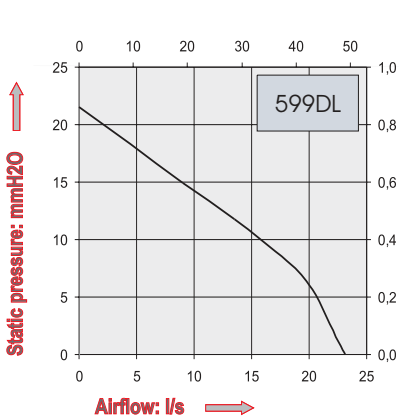
L-10 LIFE AT 40°C:  
25 000 hours

#### Brushless DC Motor

Electrical protection: integrated circuit  
Housing material: plastic UL 94 V0  
Impeller material: plastic UL 94 V0  
Maximum weight: 588 g  
Bearing system: ball bearings  
Connection: flying leads  
IP 20

#### Available with:

- Speed sensor
- Alarm



Part Number	Nominal voltage	Airflow	Noise level	Nominal speed	Input Power	Voltage range	Operating temperature	
	V	l/s	dB(A)	RPM	W	V	Min.°C	Max.°C
599DL1LP11000	12	23,2	51,5	1800	9,6	(7-13,2)	-10	60
599DL2LP11000	24	23,2	51,5	1800	9,6	(14-26,4)	-10	60
599DL4LP11000	48	23,2	51,5	1800	10,6	(28-56)	-10	60
599DM1LP11000	12	25,7	54,5	2000	13,2	(7-13,2)	-10	60
599DM2LP11000	24	25,7	54,5	2000	13,4	(14-26,4)	-10	60
599DM4LP11000	48	25,7	54,5	2000	13,4	(14-27,6)	-10	60
599DH1LP11000	12	29,2	56,5	2200	17,2	(7-13,2)	-10	60
599DH2LP11000	24	29,2	56,5	2200	17,8	(14-26,4)	-10	60