



RREG9 192x40R

K49-A4-1



DATA SHEET

release. g - Revision 03-2015

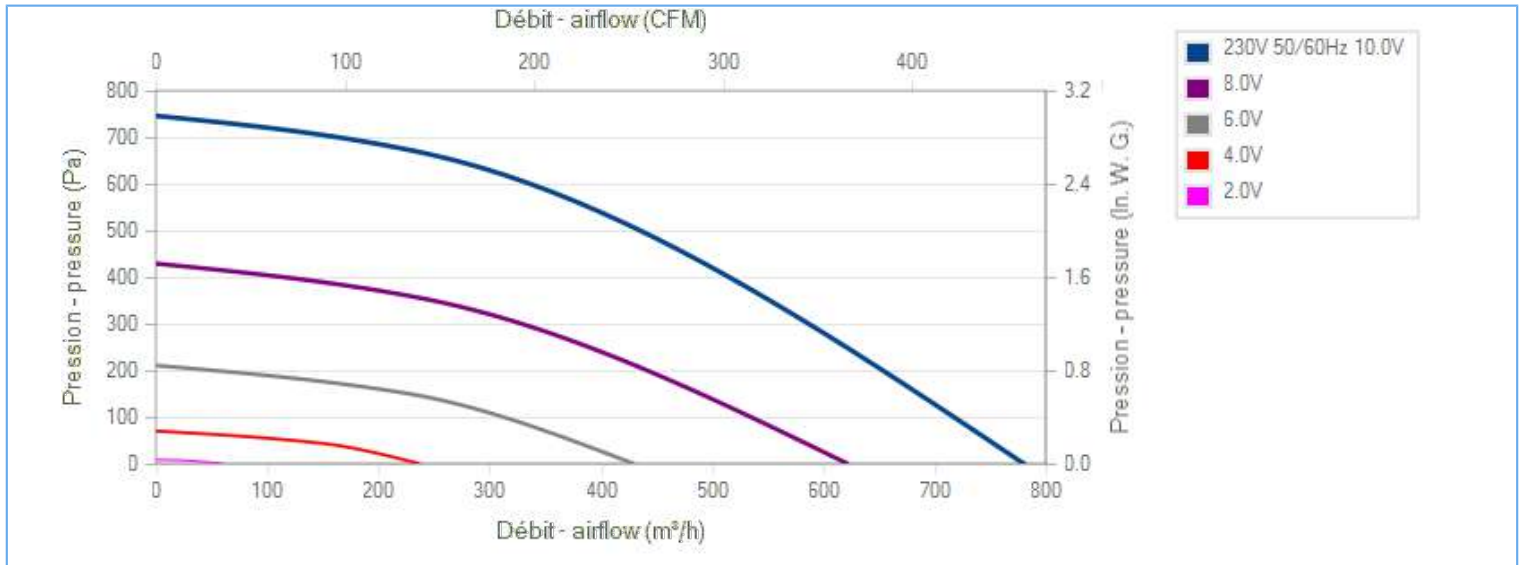
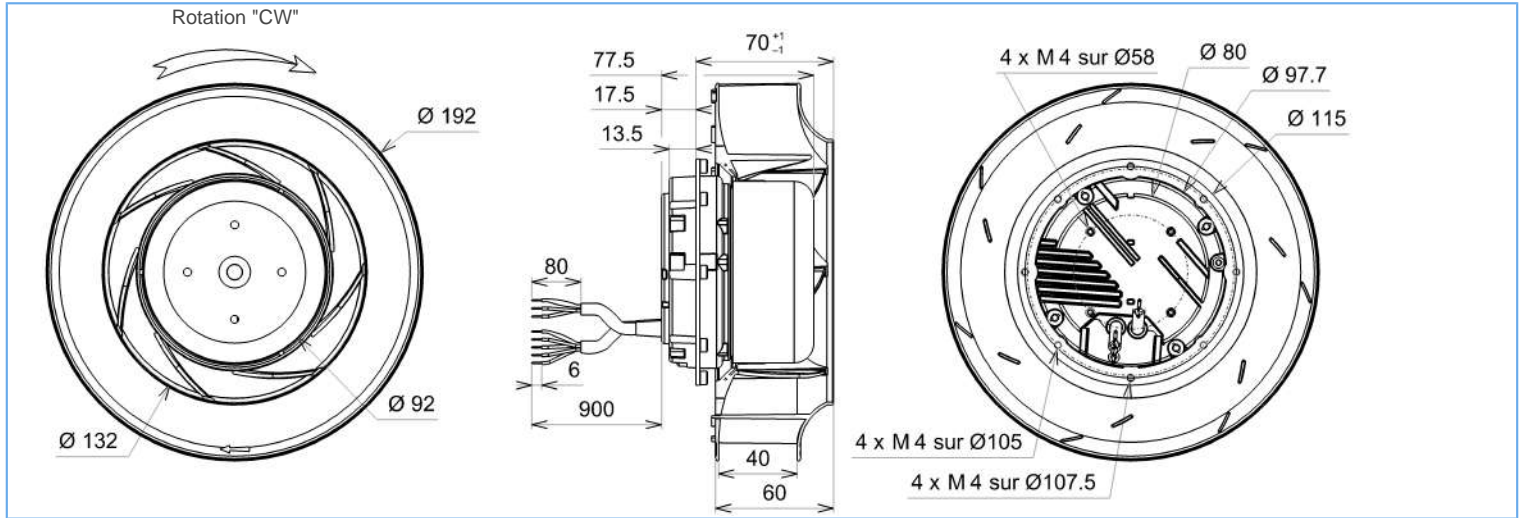
Voltage	Frequency	Input Power	Input Current	Airflow	Rotation speed	Acoustic level	Direction rotation	Admissible Temperature
V	Hz	W	A	m ³ /h	RPM	dBA	↻	Min/Max
230	50/60	140	1,15	780	3990	73	R	-20°C / +50°C
230	50/60			459 CFM				-4°F / 122°F



dBA : free blowing

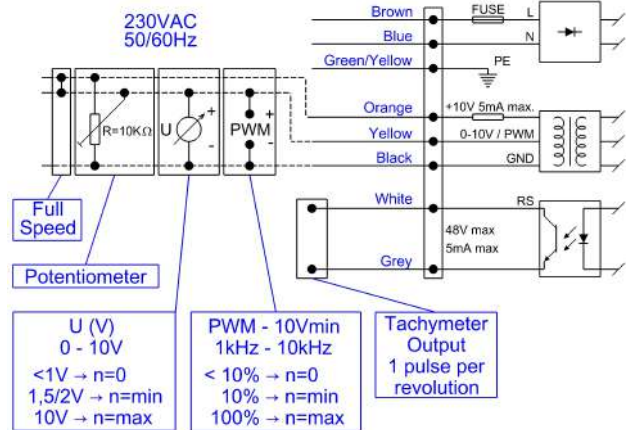
ErP 2013 **OK**

ErP 2015 **OK**



Description

- .Weight : 1,2 Kg
- .Ball bearing
- .Insulation Class F
- .IP4x may be IP44 according to EN60034-5 after checking the integration into the customer appliance
- .G2.5 balancing
- .Rotor : black paint
- .PP plastic impeller





RREG9 192x40R

K49-A4-1



DATA SHEET

release. g - Revision 03-2015

Data in accordance to ErP directive

Voltage	230	V
Frequency	50	Hz
Power	0,150	kW ⁽¹⁾
Airflow	413	m ³ /h ⁽¹⁾
Pressure	513	Pa ⁽¹⁾
Rotation speed	3872	RPM ⁽¹⁾

(1) at optimal efficiency point

	Actual	Request 2013	Request 2015
Overall efficiency (η)	45	38,8	42,8
Efficiency grade	64	58	62
Installation category	A		
Efficiency category	static		
Variable speed drive	Yes		
Specific ratio	1,00		

Designed for regular application according ErP directive EU 2009/125/EC

Accessories

21181

16043

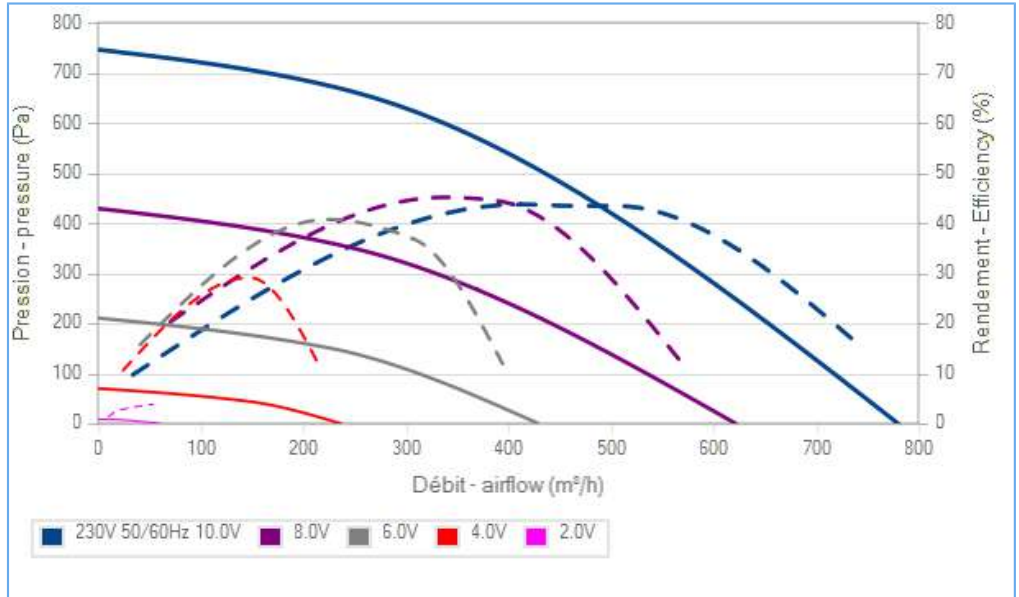
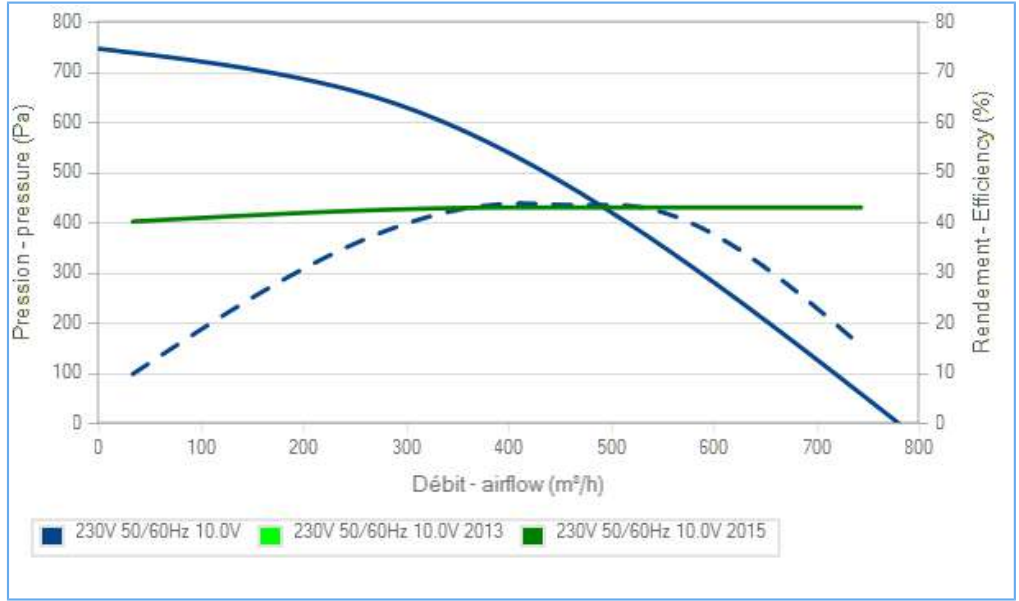
Measurement setup

16043 OUIE OG 128 GALVA

Documents

Manuel d'utilisation
www.ecofit.com/site/normes

Operating and recycling manual
www.ecofit.com/anglais/normes



La courbe de rendement intègre le facteur de compensation de charge partielle du règlement (UE) n°327/2011
 The efficiency curve includes part load compensation factor of regulation (EU) n°327/2011



IEC 60335-2-80:2002 + A1:2004 +
 IEC 60335-1:2010
 EN 60335-2-80:2003 + A1:2004 + A2:2009 +
 EN 60335-1:2012
 RT9192CE



RREG9 220x45R

K49-A5-1



DATA SHEET

release. i - Revision 08-2017

Voltage	Frequency	Input Power	Input Current	Airflow	Rotation speed	Acoustic level	Direction rotation	Admissible Temperature
V	Hz	W	A	m ³ /h	RPM	dBA	↻	Min/Max
230	50/60	145	1,19	1250	3395	70	R	-20°C / +50°C
230	50/60			735 CFM				-4°F / 122°F



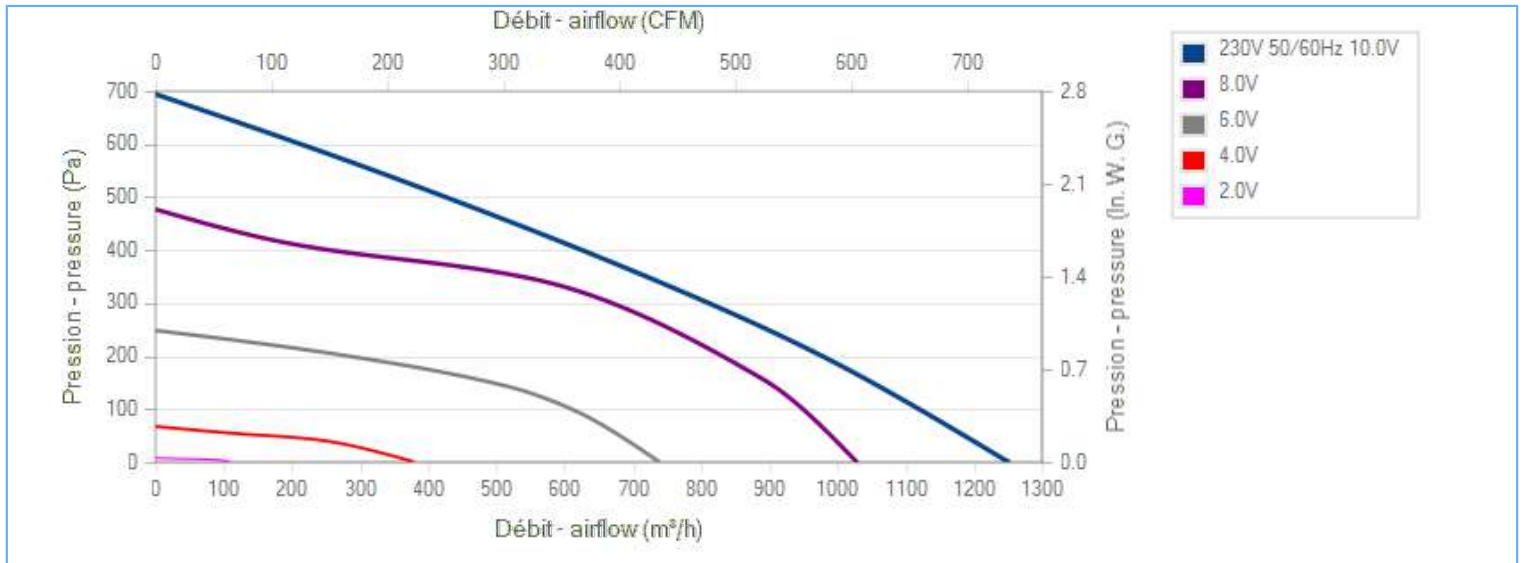
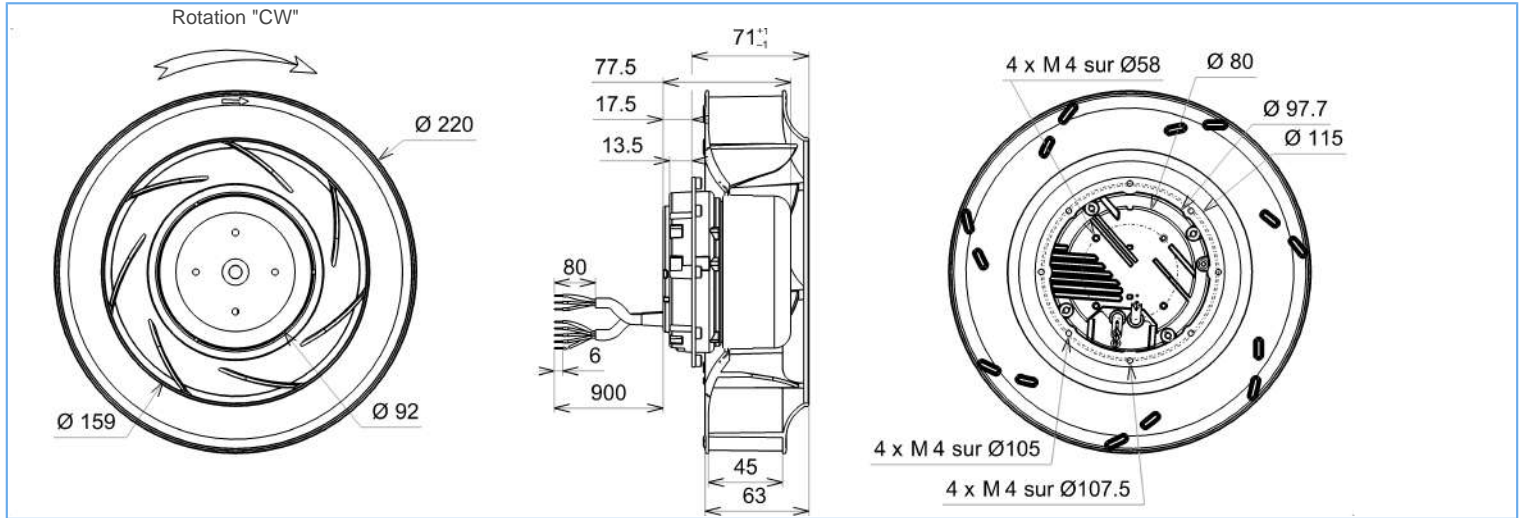
dBA : free blowing

ErP 2013

OK

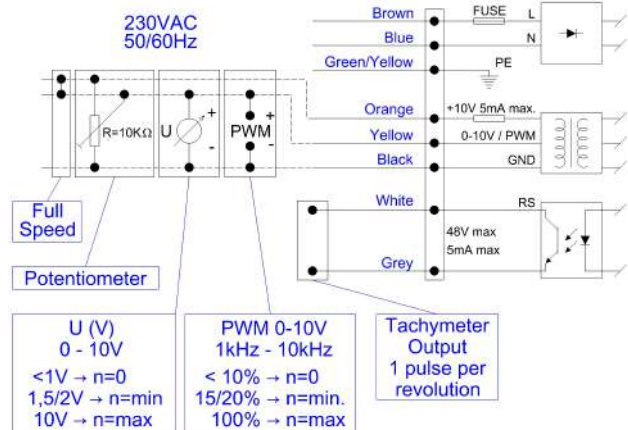
ErP 2015

OK



Description

- .Weight : 1,6 Kg
- .Ball bearing
- .Insulation Class F
- .IP4x may be IP44 according to EN60034-5 after checking the integration into the customer appliance
- .G2.5 balancing
- .Rotor : black paint
- .PA 6/6 plastic impeller





RREG9 220x45R

K49-A5-1



DATA SHEET

release. i - Revision 08-2017

Data in accordance to ErP directive

Voltage	230	V
Frequency	50	Hz
Power	0,149	kW ⁽¹⁾
Airflow	729	m ³ /h ⁽¹⁾
Pressure	345	Pa ⁽¹⁾
Rotation speed	3072	RPM ⁽¹⁾

(1) at optimal efficiency point

	Actual	Request 2013	Request 2015
Overall efficiency (η)	53,6	38,8	42,8
Efficiency grade	73	58	62
Installation category	A		
Efficiency category	static		
Variable speed drive	Yes		
Specific ratio	1,00		

Designed for regular application according ErP directive EU 2009/125/EC

Accessories

16214

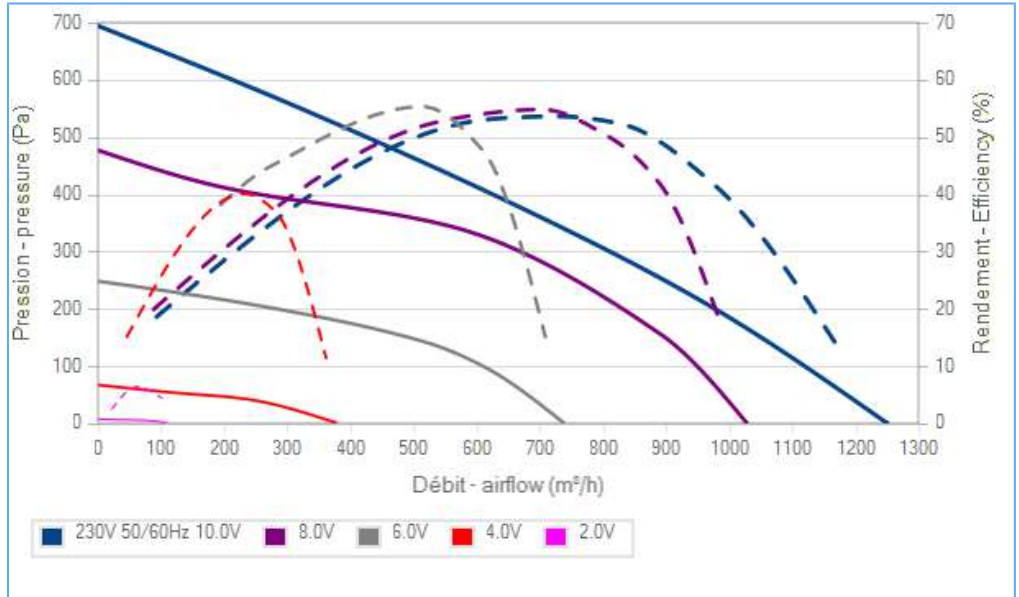
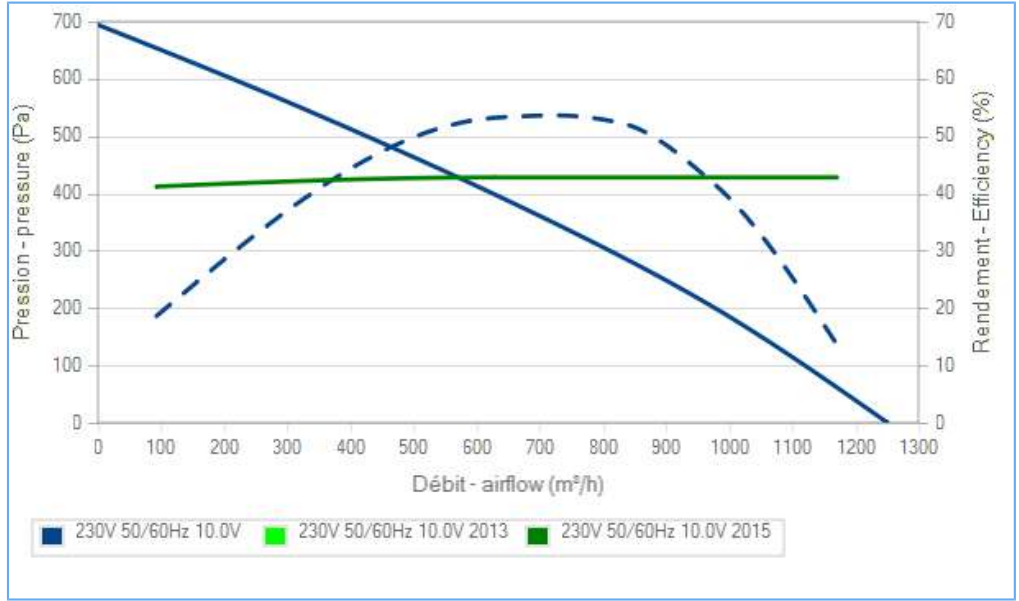
Measurement setup

16214 Ouie Ø252 ext Ø153 int GALVA

Documents

Manuel d'utilisation
www.ecofit.com/site/normes

Operating and recycling manual
www.ecofit.com/anglais/normes



La courbe de rendement intègre le facteur de compensation de charge partielle du règlement (UE) n°327/2011
 The efficiency curve includes part load compensation factor of regulation (EU) n°327/2011

CE IEC 60335-2-80:2002 + A1:2004 + IEC 60335-1:2010
 EN 60335-2-80:2003 + A1:2004 + A2:2009 + EN 60335-1:2012
 RT9192CE

Non contractual document. All specifications are subject to change without prior notice. Picture for information only.



RREG9 225x63R

K49-A6-1



DATA SHEET

release. i - Revision 03-2015

Voltage	Frequency	Input Power	Input Current	Airflow	Rotation speed	Acoustic level	Direction rotation	Admissible Temperature
V	Hz	W	A	m ³ /h	RPM	dBA	↻	Min/Max
230	50/60	150	1,19	1410	2780	70	R	-20°C / +50°C
230	50/60			829 CFM				-4°F / 122°F

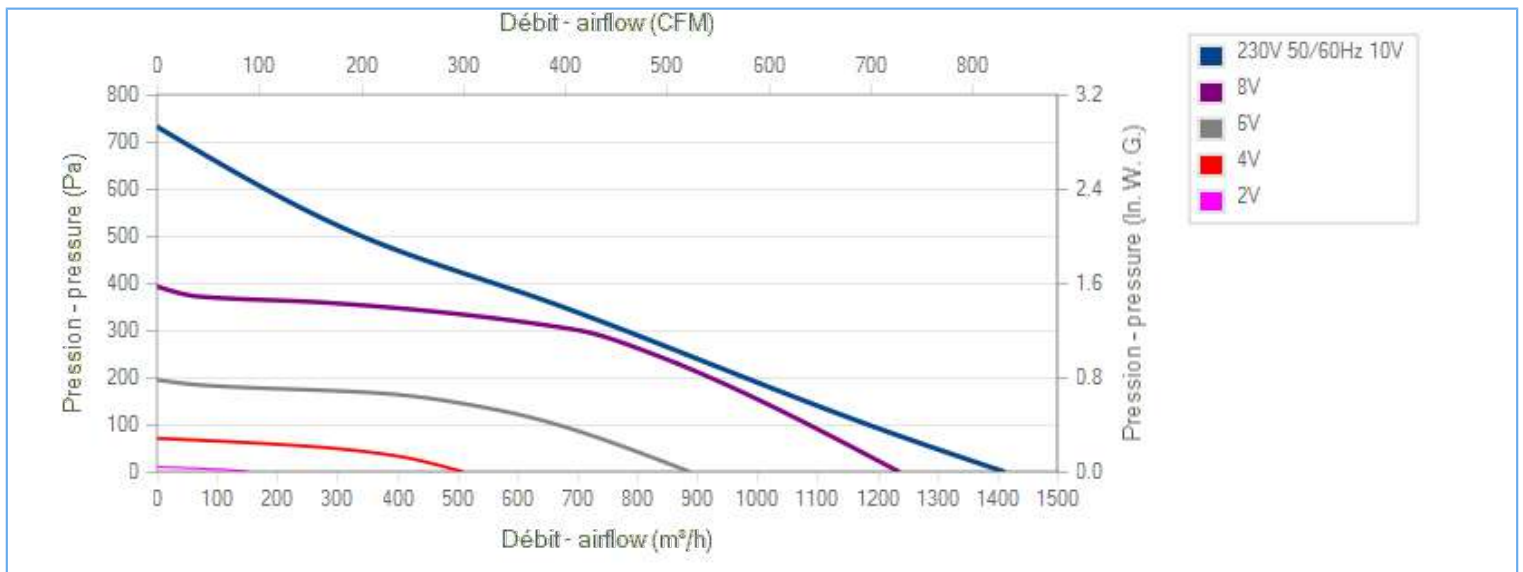
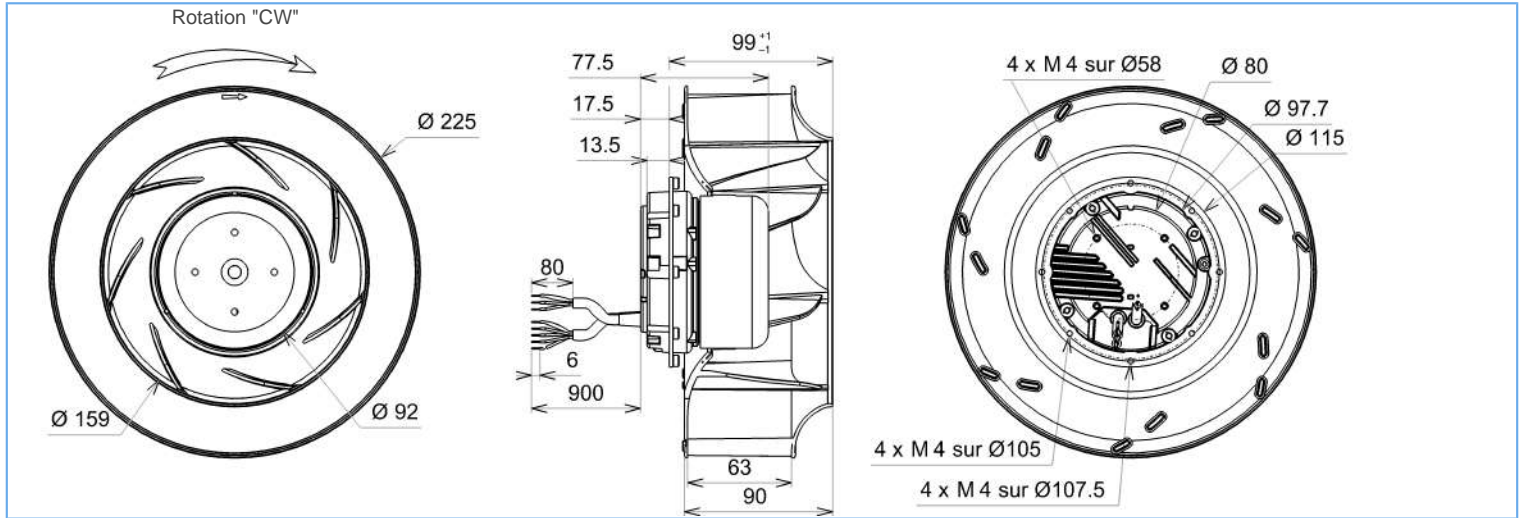
dBA : free blowing

ErP 2013

OK

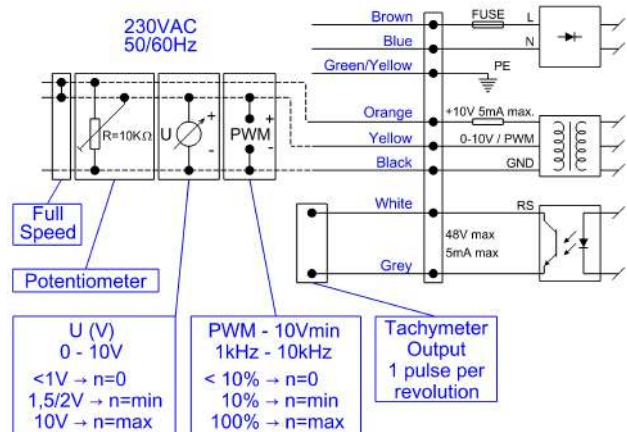
ErP 2015

OK



Description

- .Weight : 1,7 Kg
- .Ball bearing
- .Insulation Class F
- .IP4x may be IP44 according to EN60034-5 after checking the integration into the customer appliance
- .G2.5 balancing
- .Rotor : black paint
- .PA 6/6 UL 94 V-0 plastic impeller



Non contractual document. All specifications are subject to change without prior notice. Picture for information only.



RREG9 225x63R

K49-A6-1



DATA SHEET

release. i - Revision 03-2015

Data in accordance to ErP directive

Voltage	230	V
Frequency	50	Hz
Power	0,150	kW ⁽¹⁾
Airflow	675	m ³ /h ⁽¹⁾
Pressure	350	Pa ⁽¹⁾
Rotation speed	2553	RPM ⁽¹⁾

(1) at optimal efficiency point

	Actual	Request 2013	Request 2015
Overall efficiency (η)	50	38,8	42,8
Efficiency grade	69	58	62
Installation category	A		
Efficiency category	static		
Variable speed drive	Yes		
Specific ratio	1,00		

Designed for regular application according ErP directive EU 2009/125/EC

Accessories

16214

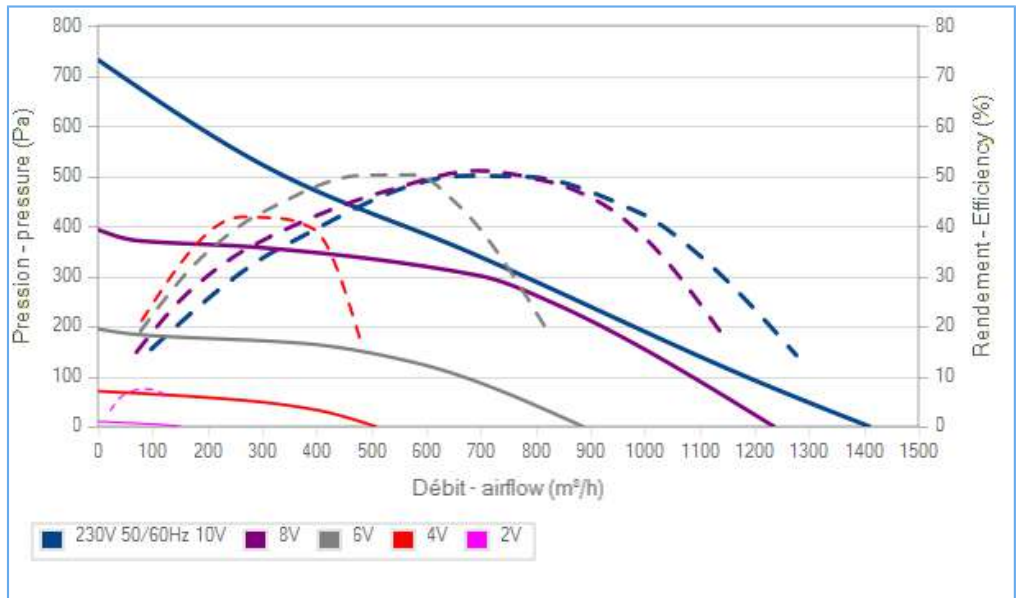
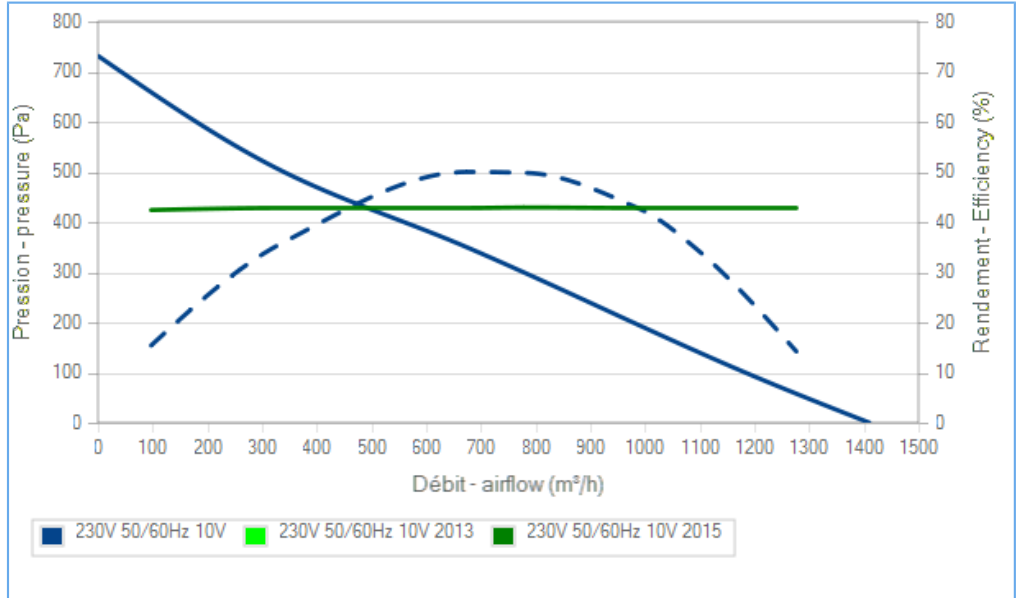
Measurement setup

16214 Ouïe Ø252 ext Ø155 int GALVA

Documents

Manuel d'utilisation
www.ecofit.com/site/normes

Operating and recycling manual
www.ecofit.com/anglais/normes



La courbe de rendement intègre le facteur de compensation de charge partielle du règlement (UE) n°327/2011
 The efficiency curve includes part load compensation factor of regulation (EU) n°327/2011

CE IEC 60335-2-80:2002 + A1:2004 + IEC 60335-1:2010
 EN 60335-2-80:2003 + A1:2004 + A2:2009 + EN 60335-1:2012
 RT9192CE

Non contractual document. All specifications are subject to change without prior notice. Picture for information only.



RRMG9 192x40R

L38-B2-1



DATA SHEET

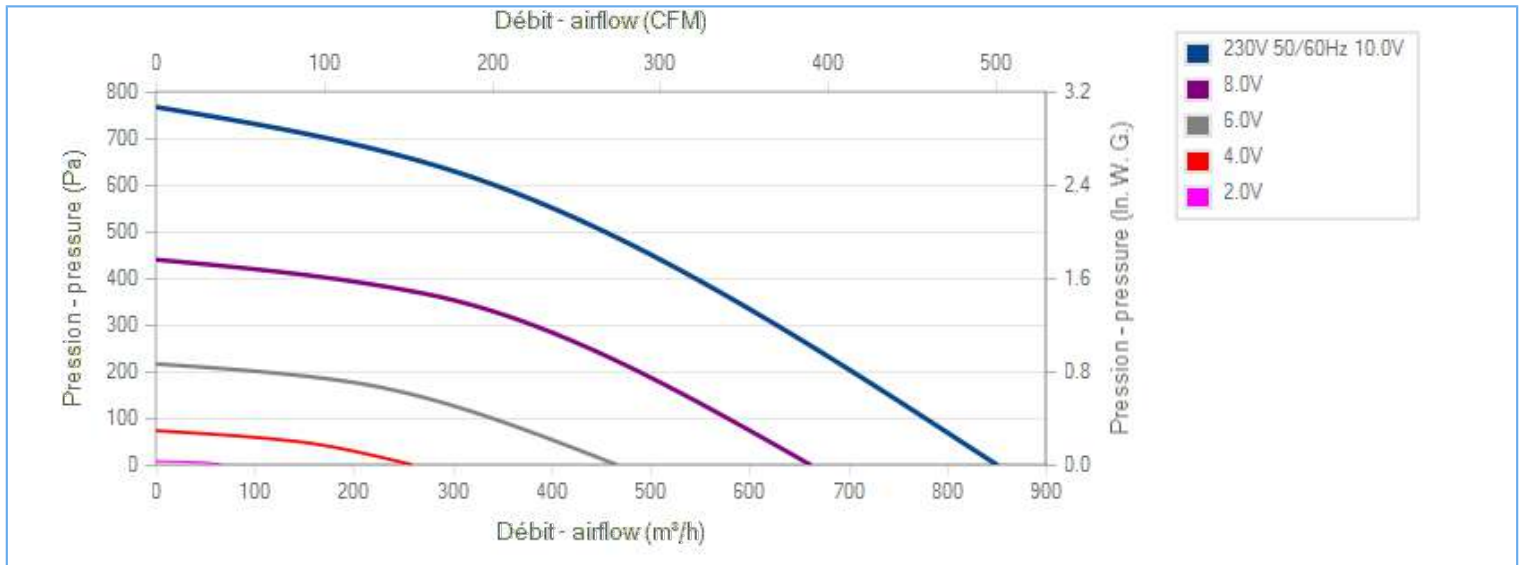
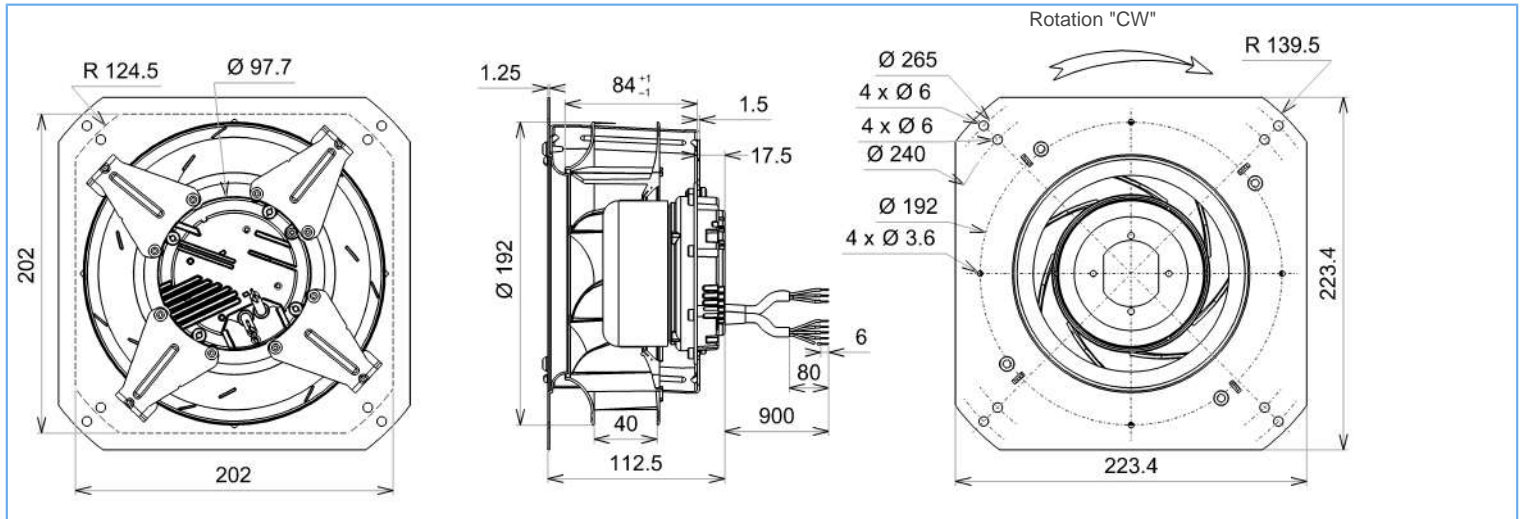
release. g - Revision 04-2015

Voltage	Frequency	Input Power	Input Current	Airflow	Rotation speed	Acoustic level	Direction rotation	Admissible Temperature
V	Hz	W	A	m ³ /h	RPM	dBA	↻	Min/Max
230	50/60	136	1,07	850	4020	73	R	-20°C / +50°C
230	50/60			500 CFM				-4°F / 122°F

dBA : free blowing

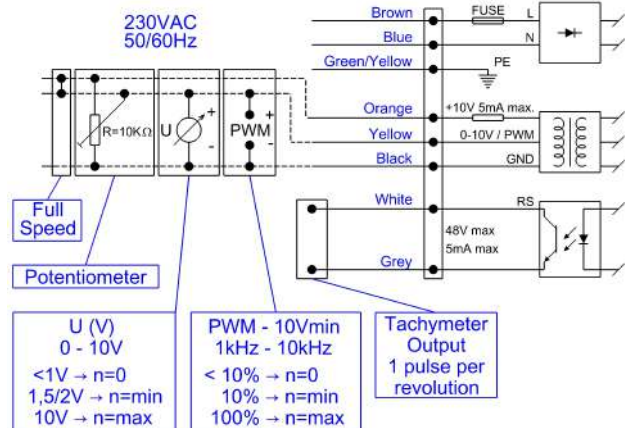
ErP 2013 **OK**

ErP 2015 **OK**



Description

- .Weight : 1,5 Kg
- .Ball bearing
- .Insulation Class F
- .IP4x may be IP44 according to EN60034-5 after checking the integration into the customer appliance
- .G2.5 balancing
- .Rotor : black paint
- .PP plastic impeller





RRMG9 192x40R

L38-B2-1



DATA SHEET

release. g - Revision 04-2015

Data in accordance to ErP directive

Voltage	230	V
Frequency	50	Hz
Power	0,147	kW ⁽¹⁾
Airflow	438	m ³ /h ⁽¹⁾
Pressure	498	Pa ⁽¹⁾
Rotation speed	3782	RPM ⁽¹⁾

(1) at optimal efficiency point

	Actual	Request 2013	Request 2015
Overall efficiency (η)	47,1	38,8	42,8
Efficiency grade	66	58	62
Installation category	A		
Efficiency category	static		
Variable speed drive	Yes		
Specific ratio	1,00		

Designed for regular application according ErP directive EU 2009/125/EC

Accessories

21181

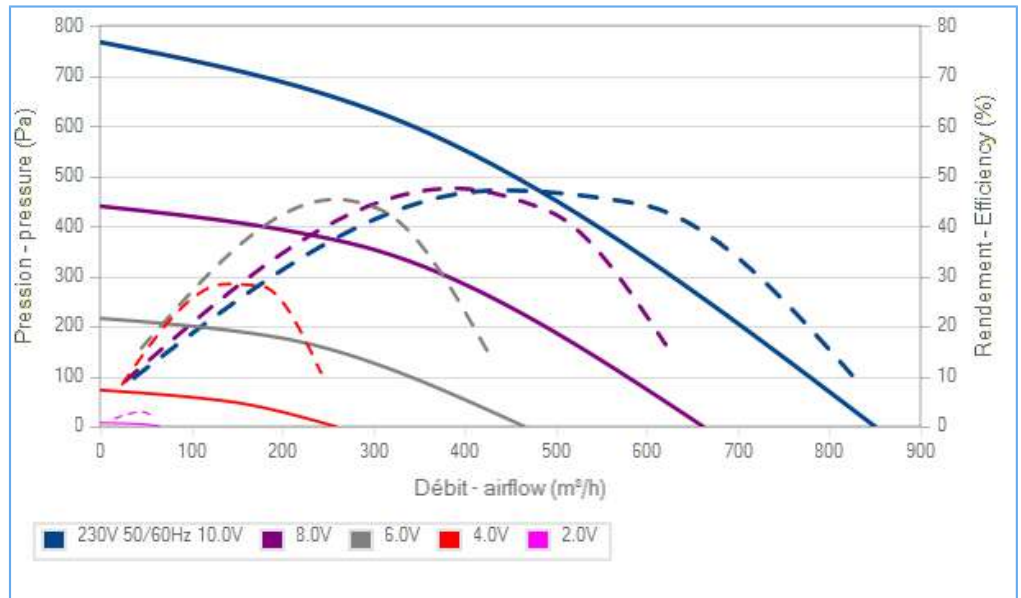
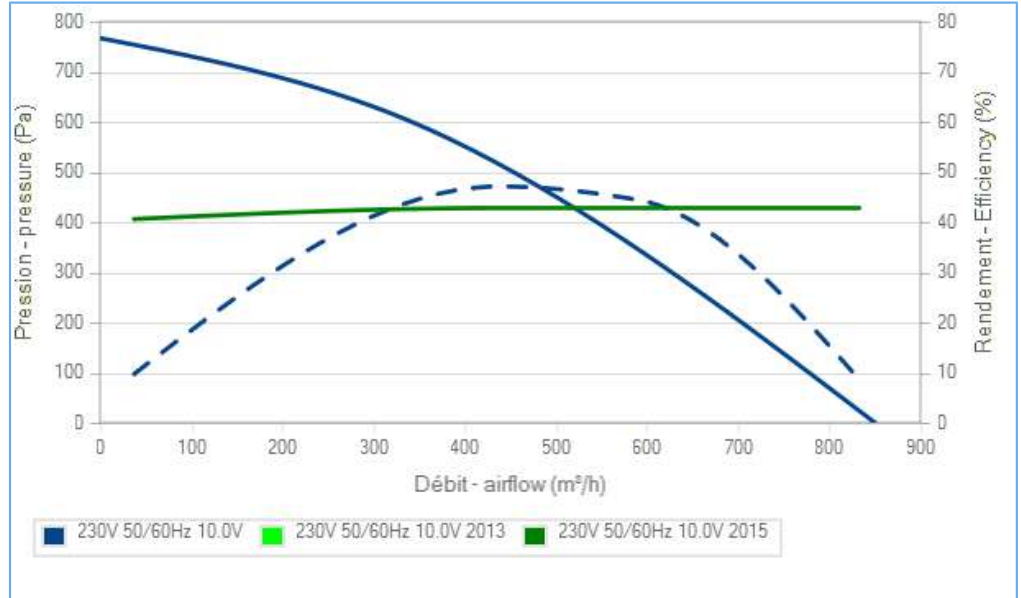
Measurement setup

16239

Documents

Manuel d'utilisation
www.ecofit.com/site/normes

Operating and recycling manual
www.ecofit.com/anglais/normes



La courbe de rendement intègre le facteur de compensation de charge partielle du règlement (UE) n°327/2011
 The efficiency curve includes part load compensation factor of regulation (EU) n°327/2011

CE IEC 60335-2-80:2002 + A1:2004 + IEC 60335-1:2010
 EN 60335-2-80:2003 + A1:2004 + A2:2009 + EN 60335-1:2012
 RT9192CE

Non contractual document. All specifications are subject to change without prior notice. Picture for information only.



RRMG9 220x45R

L38-B3-1



DATA SHEET

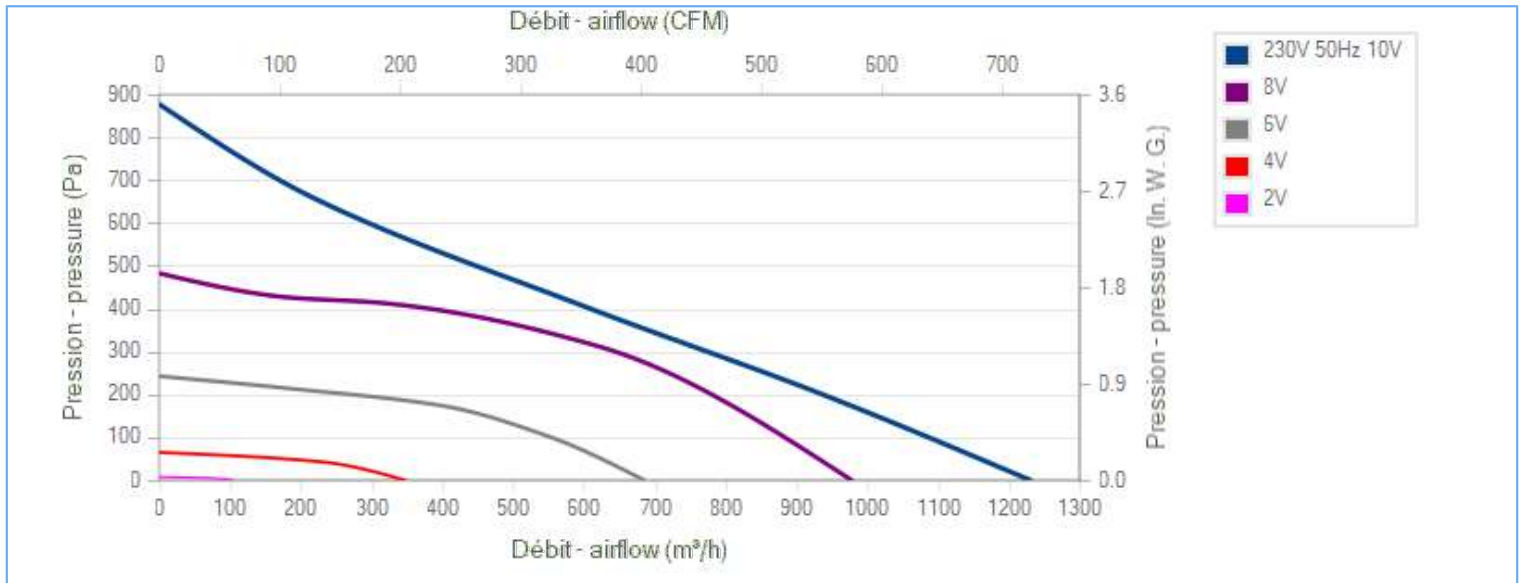
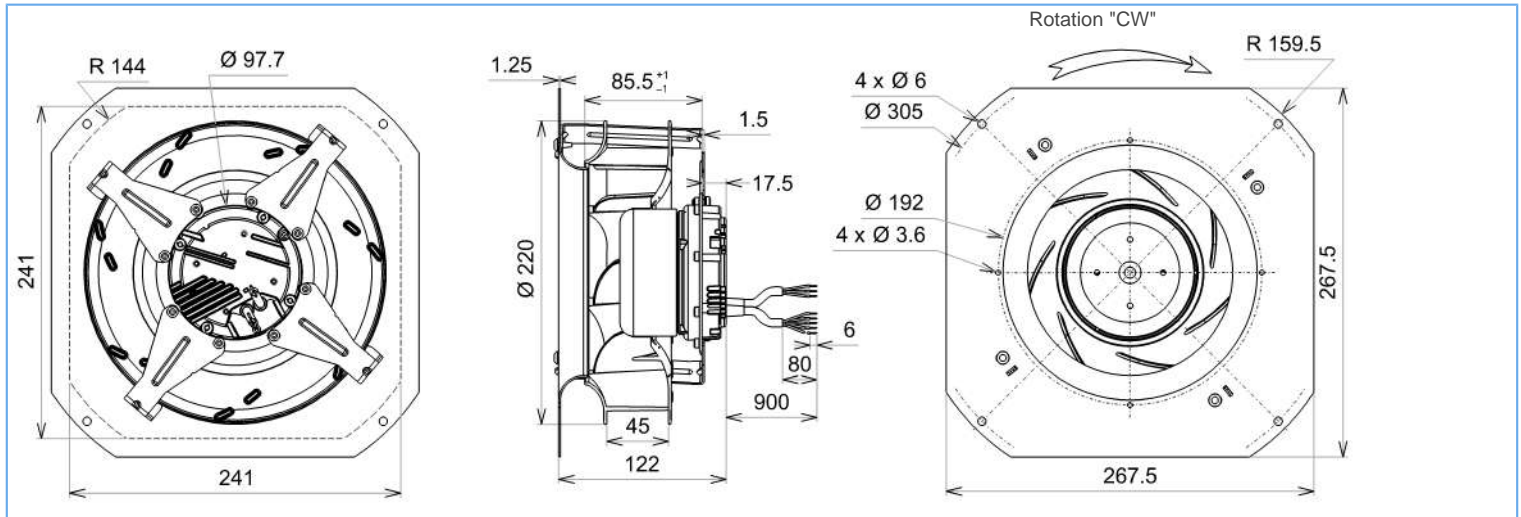
release. h - Revision 02-2018

Voltage	Frequency	Input Power	Input Current	Airflow	Rotation speed	Acoustic level	Direction rotation	Admissible Temperature
V	Hz	W	A	m ³ /h	RPM	dBA	↻	Min/Max
230	50/60	150	1,2	1230	3525	73	R	-20°C / +50°C
230	50/60			723 CFM				-4°F / 122°F

dBA : free blowing

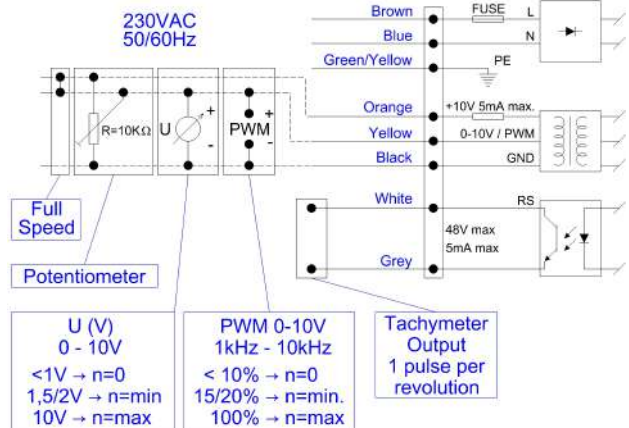
ErP 2013 **OK**

ErP 2015 **OK**



Description

- .Weight : 2,8 Kg
- .Ball bearing
- .Insulation Class F
- .IP4x may be IP44 according to EN60034-5 after checking the integration into the customer appliance
- .G2.5 balancing
- .Rotor : black paint
- .PA 6/6 plastic impeller





RRMG9 220x45R

L38-B3-1



DATA SHEET

release. h - Revision 02-2018

Data in accordance to ErP directive

Voltage	230	V
Frequency	50	Hz
Power	0,150	kW ⁽¹⁾
Airflow	601	m ³ /h ⁽¹⁾
Pressure	405	Pa ⁽¹⁾
Rotation speed	3058	RPM ⁽¹⁾

(1) at optimal efficiency point

	Actual	Request 2013	Request 2015
Overall efficiency (η)	51,6	38,8	42,8
Efficiency grade	71	58	62
Installation category	A		
Efficiency category	static		
Variable speed drive	Yes		
Specific ratio	1,00		

Designed for regular application according ErP directive EU 2009/125/EC

Accessories

21194

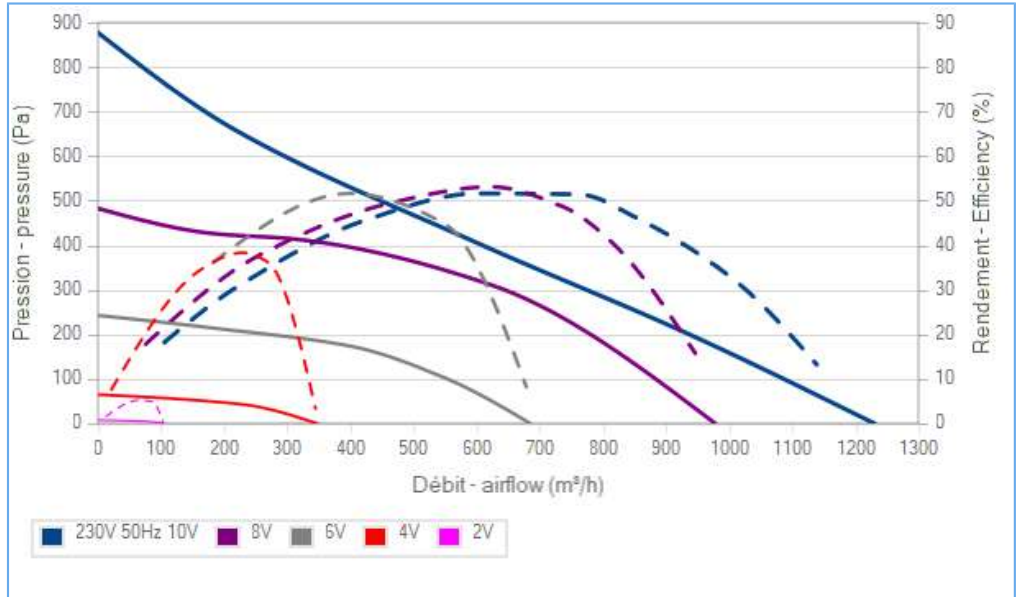
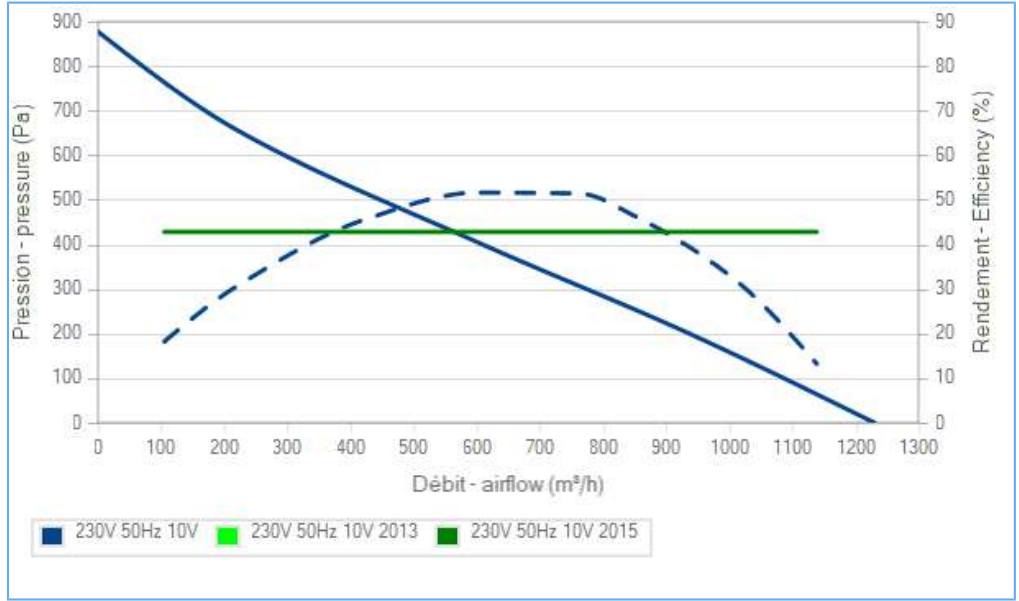
Measurement setup

16240

Documents

Manuel d'utilisation
www.ecofit.com/site/normes

Operating and recycling manual
www.ecofit.com/anglais/normes



La courbe de rendement intègre le facteur de compensation de charge partielle du règlement (UE) n°327/2011
 The efficiency curve includes part load compensation factor of regulation (EU) n°327/2011



IEC 60335-2-80:2002 + A1:2004 +
 IEC 60335-1:2010
 EN 60335-2-80:2003 + A1:2004 + A2:2009 +
 EN 60335-1:2012
 RT9192CE

Non contractual document. All specifications are subject to change without prior notice. Picture for information only.



RRMG9 225x63R

L38-B4-1



DATA SHEET

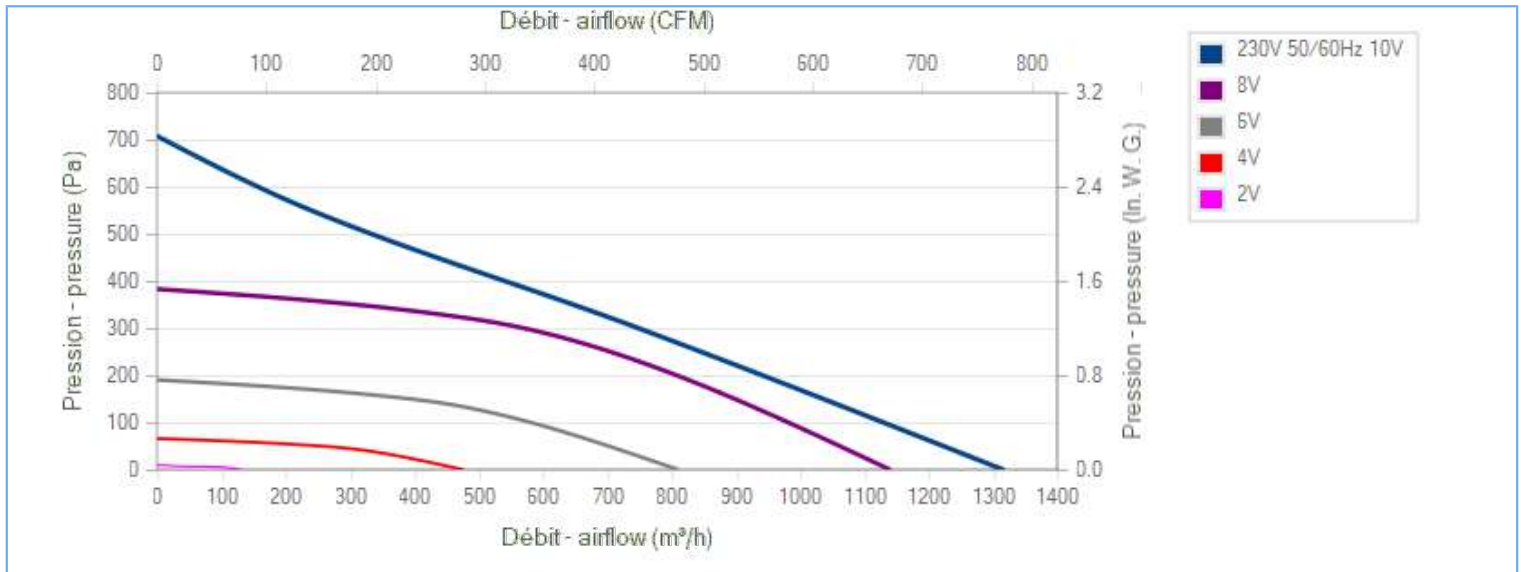
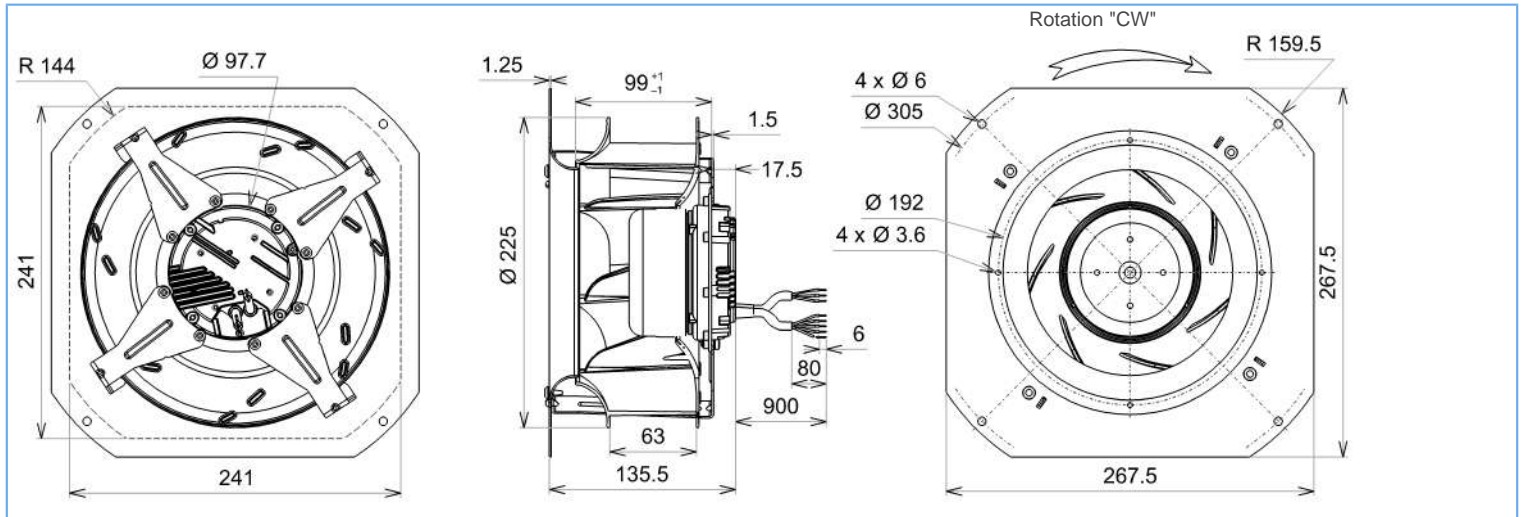
release. e - Revision 02-2018

Voltage	Frequency	Input Power	Input Current	Airflow	Rotation speed	Acoustic level	Direction rotation	Admissible Temperature
V	Hz	W	A	m ³ /h	RPM	dBA	↻	Min/Max
230	50/60	150	1,18	1315	2860	71	R	-20°C / +50°C
230	50/60			774 CFM				-4°F / 122°F

dBA : free blowing

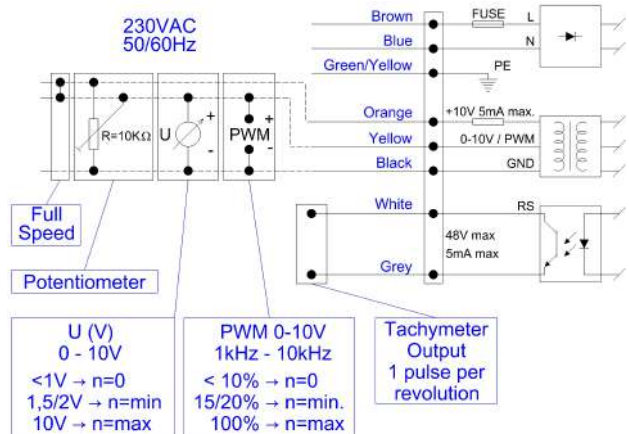
ErP 2013 **OK**

ErP 2015 **OK**



Description

- .Weight : 3,0 Kg
- .Ball bearing
- .Insulation Class F
- .IP4x may be IP44 according to EN60034-5 after checking the integration into the customer appliance
- .G2.5 balancing
- .Rotor : black paint
- .PA 6/6 UL 94 V-0 plastic impeller





RRMG9 225x63R

L38-B4-1



DATA SHEET

release. e - Revision 02-2018

Data in accordance to ErP directive

Voltage	230	V
Frequency	50	Hz
Power	0,150	kW ⁽¹⁾
Airflow	744	m ³ /h ⁽¹⁾
Pressure	302	Pa ⁽¹⁾
Rotation speed	2571	RPM ⁽¹⁾

(1) at optimal efficiency point

	Actual	Request 2013	Request 2015
Overall efficiency (η)	47,7	38,8	42,8
Efficiency grade	67	58	62
Installation category	A		
Efficiency category	static		
Variable speed drive	Yes		
Specific ratio	1,00		

Designed for regular application according ErP directive EU 2009/125/EC

Accessories

21194

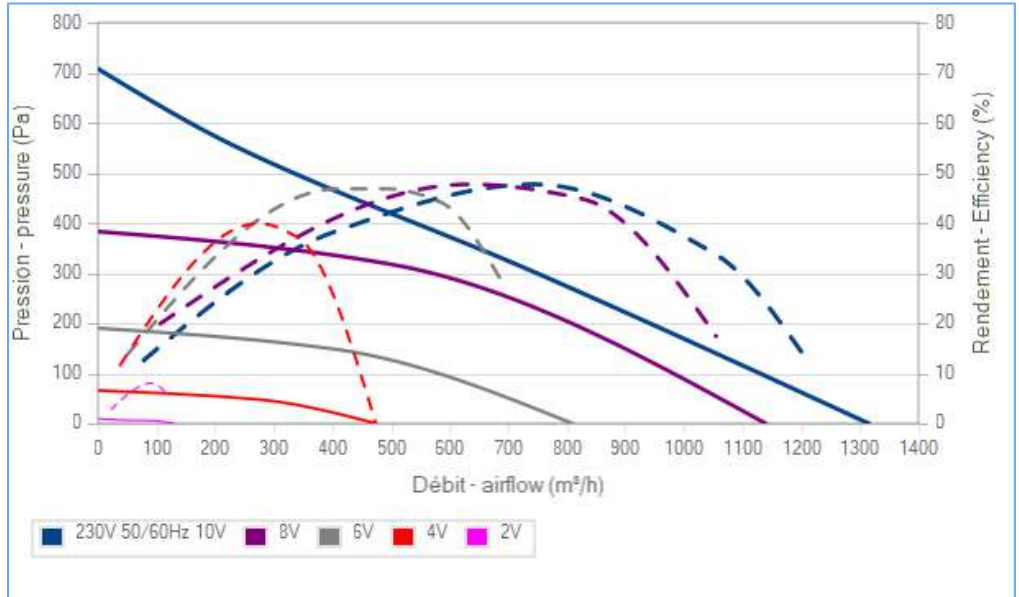
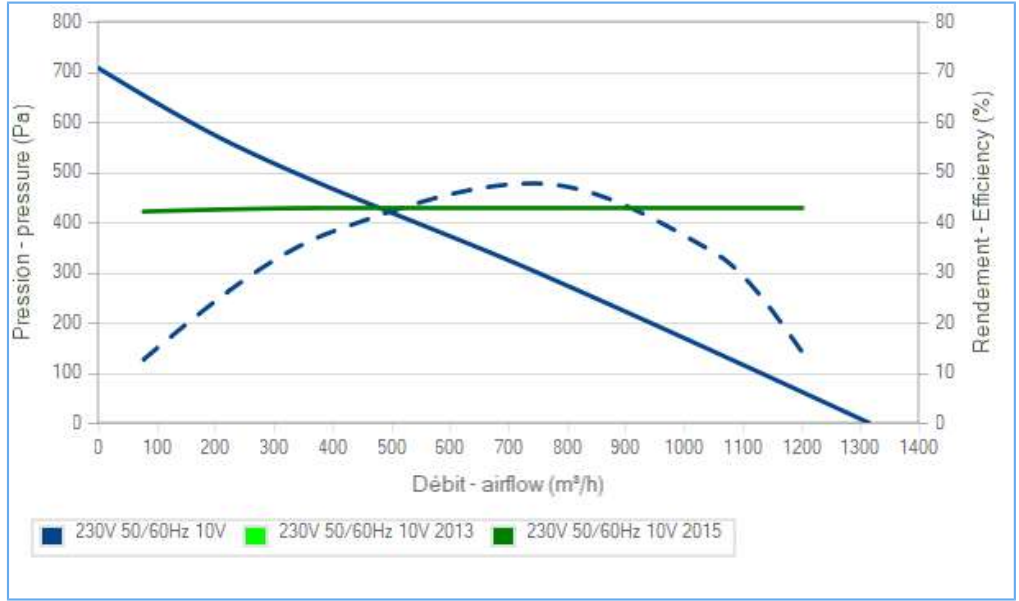
Measurement setup

16241

Documents

Manuel d'utilisation
www.ecofit.com/site/normes

Operating and recycling manual
www.ecofit.com/anglais/normes



La courbe de rendement intègre le facteur de compensation de charge partielle du règlement (UE) n°327/2011
 The efficiency curve includes part load compensation factor of regulation (EU) n°327/2011



IEC 60335-2-80:2002 + A1:2004 +
 IEC 60335-1:2010
 EN 60335-2-80:2003 + A1:2004 + A2:2009 +
 EN 60335-1:2012
 RT9192CE

Non contractual document. All specifications are subject to change without prior notice. Picture for information only.



RREuG9 220x45R

M11-A1-1



DATA SHEET

release. g - Revision 08-2015

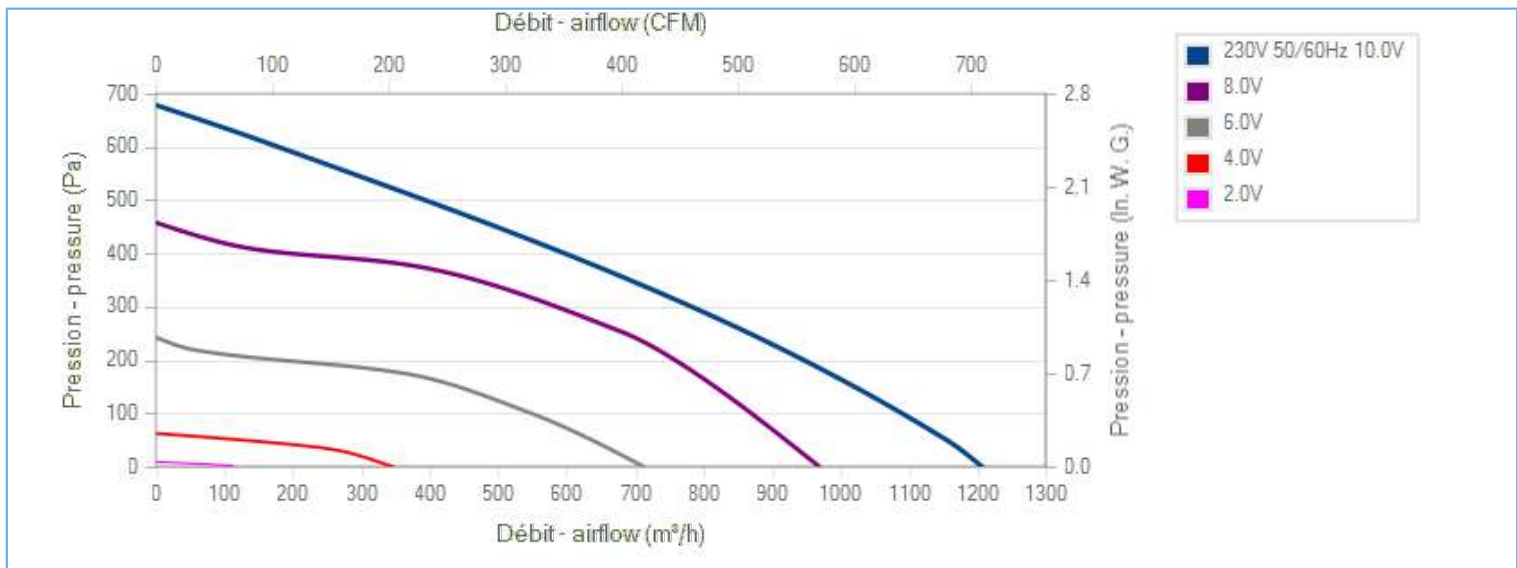
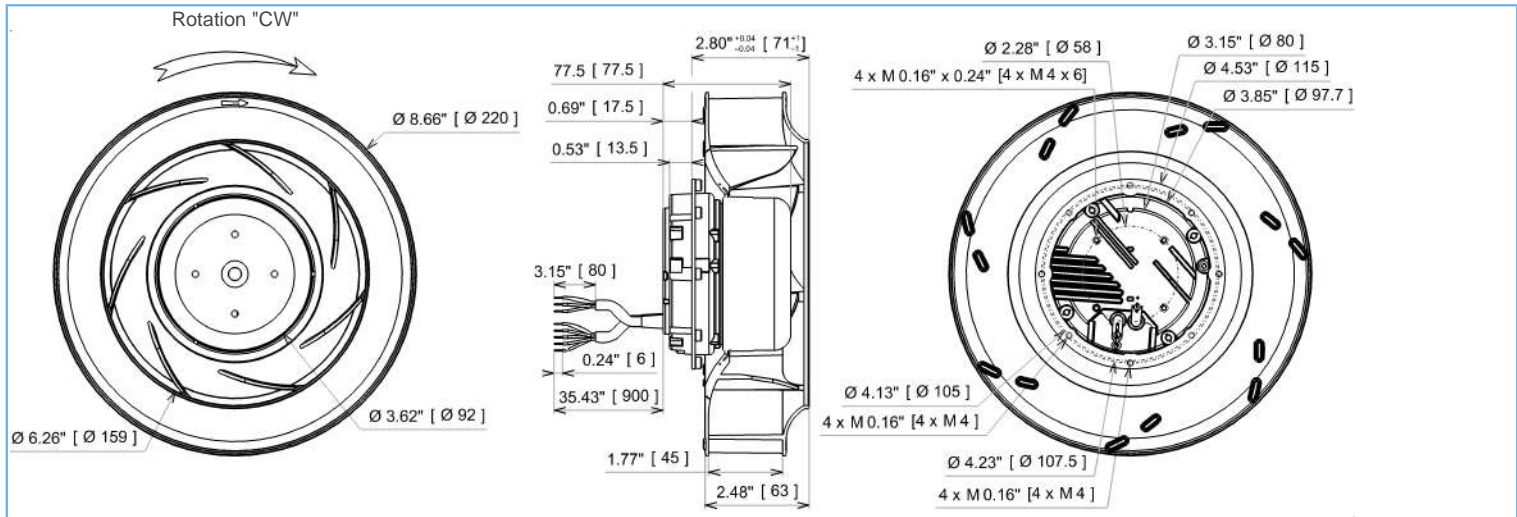
Voltage	Frequency	Input Power	Input Current	Airflow	Rotation speed	Acoustic level	Direction rotation	Admissible Temperature
V	Hz	W	A	m ³ /h	RPM	dBA		Min/Max
230	50/60	145	1,19	1190	3395	70	R	-20°C / +50°C
230	50/60			700 CFM				-4°F / 122°F



dBA : free blowing

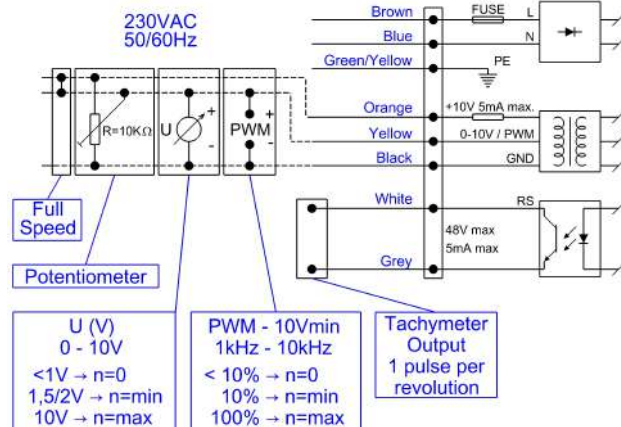
ErP 2013 **OK**

ErP 2015 **OK**



Description

- .Weight : 1,6 Kg
- .Ball bearing
- .Insulation Class F
- .IP4x may be IP44 according to EN60034-5 after checking the integration into the customer appliance
- .G2.5 balancing
- .Rotor : black paint
- .PA 6/6 UL 94 V-0 plastic impeller
- .Motor - UL Recognized component





RREuG9 220x45R

M11-A1-1



DATA SHEET

release. g - Revision 08-2015

Data in accordance to ErP directive

Voltage	230	V
Frequency	50	Hz
Power	0,149	kW ⁽¹⁾
Airflow	685	m ³ /h ⁽¹⁾
Pressure	355	Pa ⁽¹⁾
Rotation speed	3068	RPM ⁽¹⁾

(1) at optimal efficiency point

	Actual	Request 2013	Request 2015
Overall efficiency (η)	52	38,8	42,8
Efficiency grade	71	58	62
Installation category	A		
Efficiency category	static		
Variable speed drive	Yes		
Specific ratio	1,00		

Designed for regular application according ErP directive EU 2009/125/EC

Accessories

16214

Measurement setup

16214 Ouie Ø252 ext Ø155 int GALVA

Documents

Manuel d'utilisation

www.ecofit.com/site/normes

Operating and recycling manual

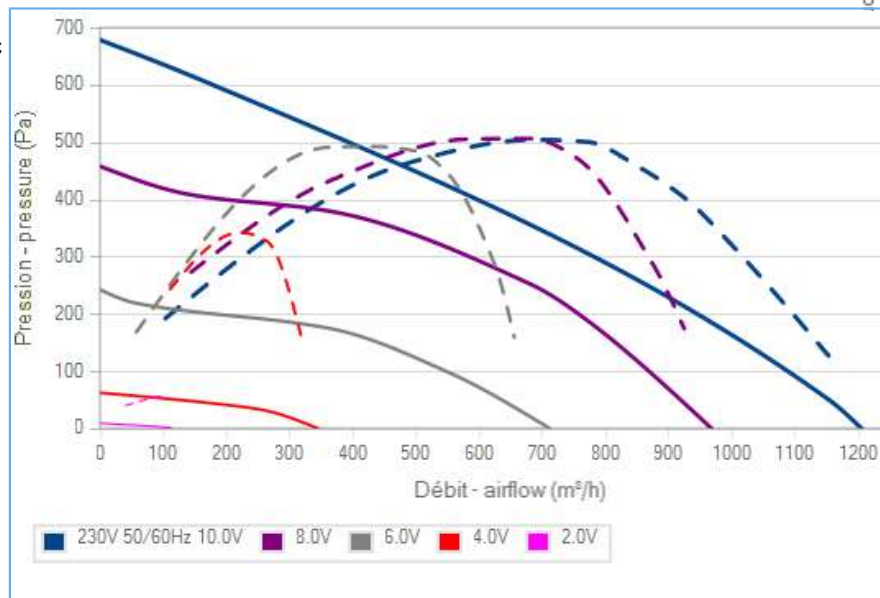
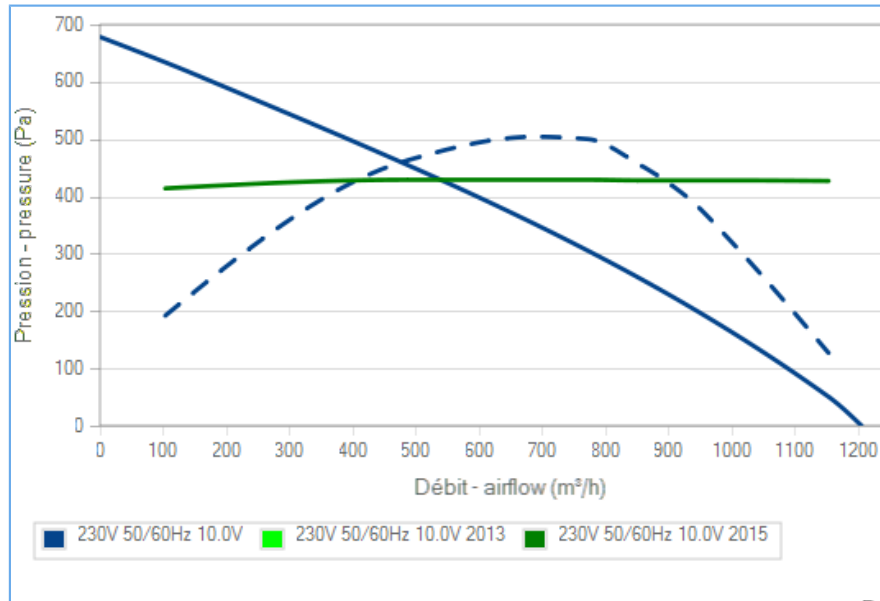
www.ecofit.com/anglais/normes



IEC 60335-2-80:2002 + A1:2004 +
IEC 60335-1:2010
EN 60335-2-80:2003 + A1:2004 + A2:2009 +
EN 60335-1:2012
RT9192CE



UL1004-1, 2nd edition "rotating electrical machine"
UL1004-3, 1st edition "thermally protected motors"
UL1004-7, 2nd edition "electronically protected motors"
C22.2 N°100-04, 6th edition "motors and generator"
C22.2 N°77-95, 7th edition "motors with inherent overheating protection"
UL Motor Model : RT9192
File Number : E326930 XDNW2,8



La courbe de rendement intègre le facteur de compensation de charge partielle du règlement (UE) n°327/2011
The efficiency curve includes part load compensation factor of regulation (EU) n°327/2011



RREuG9 225x63R

M12-A0-1



DATA SHEET

release. f - Revision 03-2015

Voltage	Frequency	Input Power	Input Current	Airflow	Rotation speed	Acoustic level	Direction rotation	Admissible Temperature
V	Hz	W	A	m ³ /h	RPM	dBA	↻	Min/Max
230	50/60	150	1,19	1410	2780	70	R	-20°C / +50°C
230	50/60			829 CFM				-4°F / 122°F



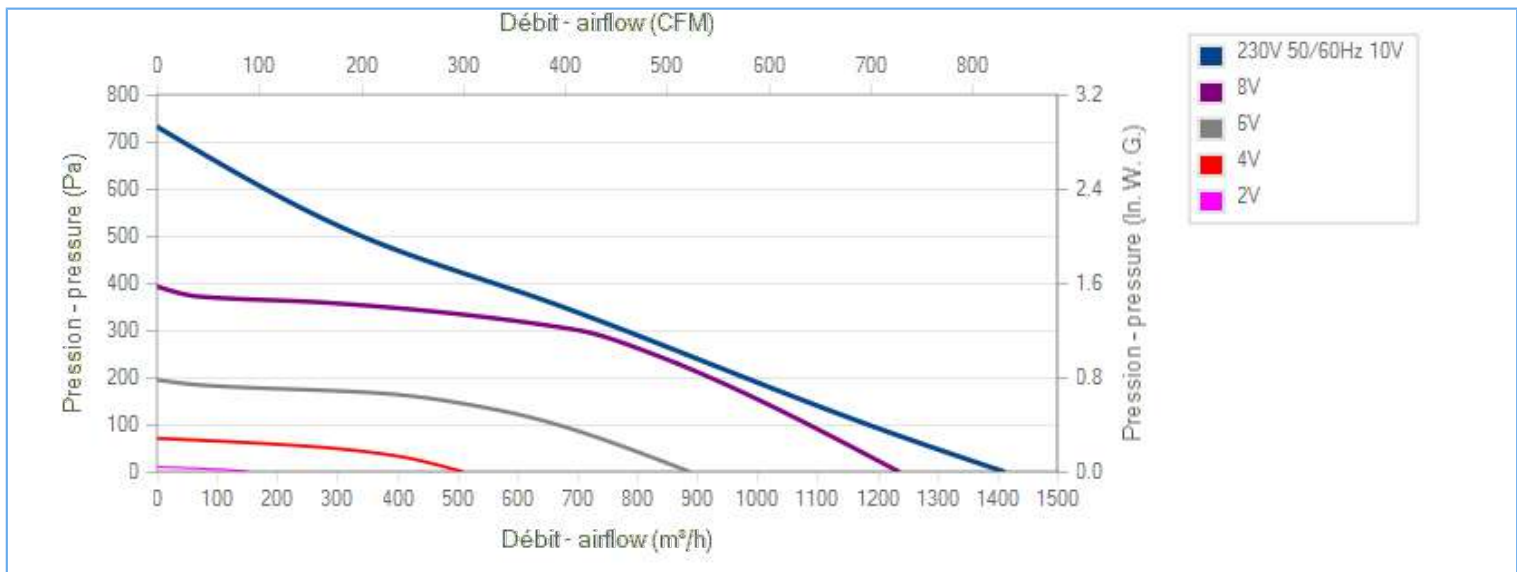
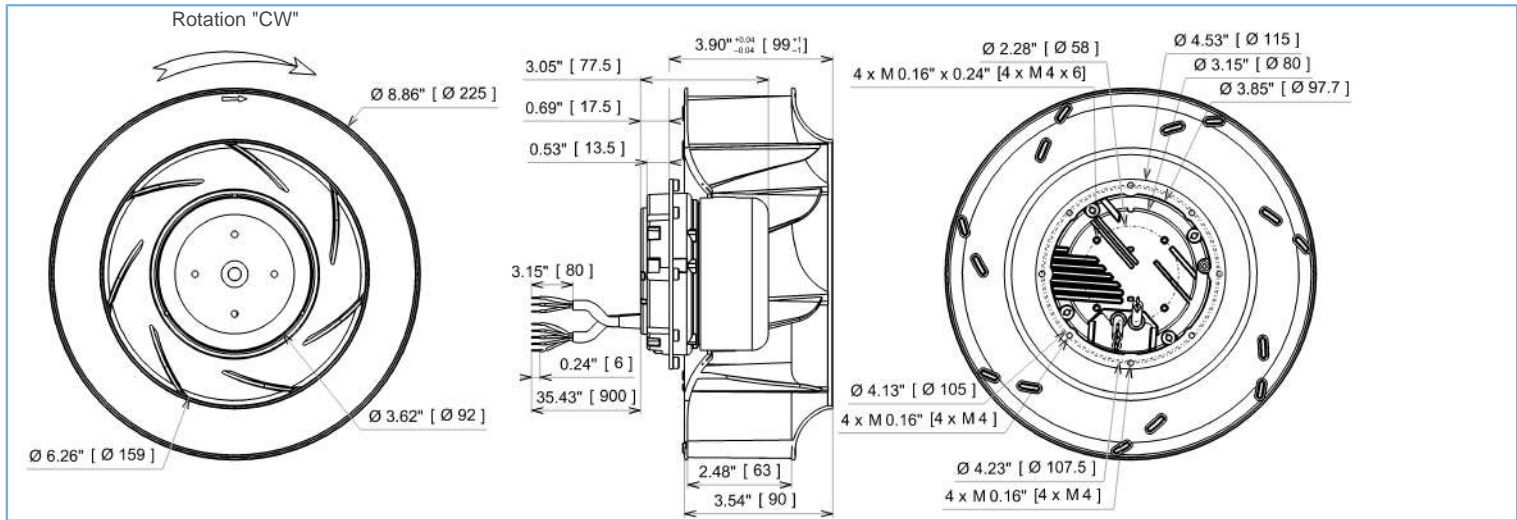
dBA : free blowing

ErP 2013

OK

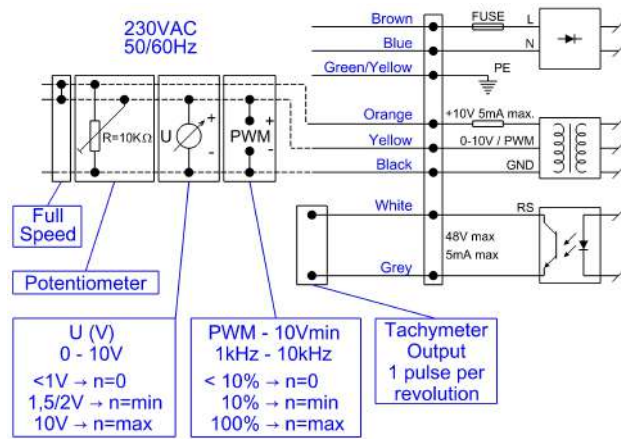
ErP 2015

OK



Description

- .Weight : 1,7 Kg
- .Ball bearing
- .Insulation Class F
- .IP4x may be IP44 according to EN60034-5 after checking the integration into the customer appliance
- .G2.5 balancing
- .Rotor : black paint
- .PA 6/6 UL 94 V-0 plastic impeller
- .Motor - UL Recognized component





RREuG9 225x63R

M12-A0-1



DATA SHEET

release. f - Revision 03-2015

Data in accordance to ErP directive

Voltage	230	V
Frequency	50	Hz
Power	0,150	kW ⁽¹⁾
Airflow	675	m ³ /h ⁽¹⁾
Pressure	350	Pa ⁽¹⁾
Rotation speed	2553	RPM ⁽¹⁾

(1) at optimal efficiency point

	Actual	Request 2013	Request 2015
Overall efficiency (η)	50	38,8	42,8
Efficiency grade	69	58	62
Installation category	A		
Efficiency category	static		
Variable speed drive	Yes		
Specific ratio	1,00		

Designed for regular application according ErP directive EU 2009/125/EC

Accessories

16214

Measurement setup

16214 Ouie Ø252 ext Ø155 int GALVA

Documents

Manuel d'utilisation

www.ecofit.com/site/normes

Operating and recycling manual

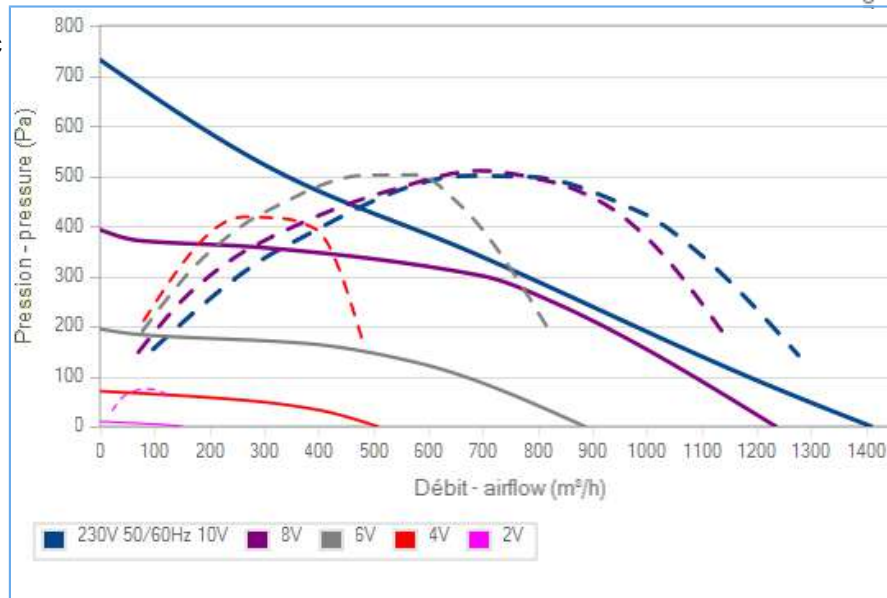
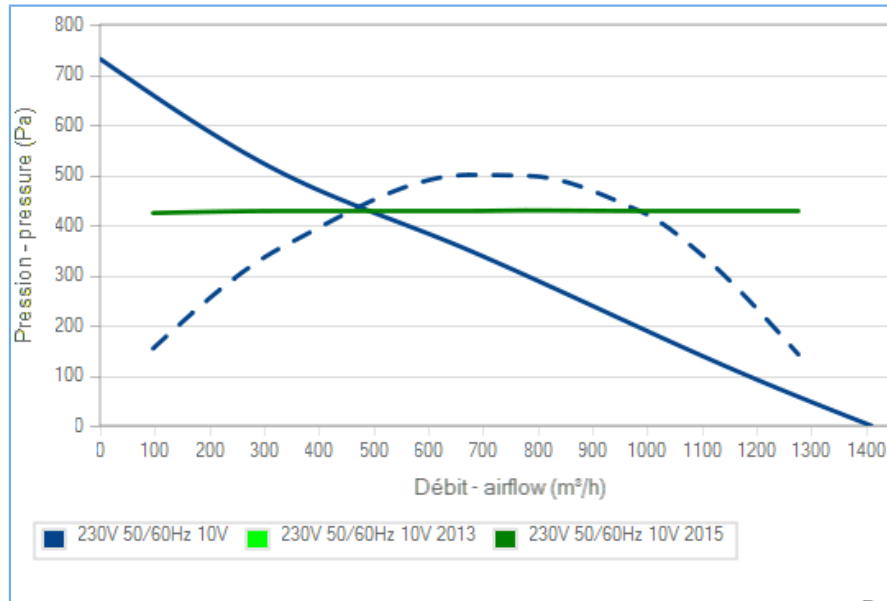
www.ecofit.com/anglais/normes



IEC 60335-2-80:2002 + A1:2004 +
IEC 60335-1:2010
EN 60335-2-80:2003 + A1:2004 + A2:2009 +
EN 60335-1:2012
RT9192CE



UL1004-1, 2nd edition "rotating electrical machine"
UL1004-3, 1st edition "thermally protected motors"
UL1004-7, 2nd edition "electronically protected motors"
C22.2 N°100-04, 6th edition "motors and generator"
C22.2 N°77-95, 7th edition "motors with inherent overheating protection"
UL Motor Model : RT9192
File Number : E326930 XDNW2,8



La courbe de rendement intègre le facteur de compensation de charge partielle du règlement (UE) n°327/2011
The efficiency curve includes part load compensation factor of regulation (EU) n°327/2011



RREuG9 192x40R

M12-A4-1



DATA SHEET

release. e - Revision 04-2017

Voltage	Frequency	Input Power	Input Current	Airflow	Rotation speed	Acoustic level	Direction rotation	Admissible Temperature
V	Hz	W	A	m ³ /h	RPM	dBA	↻	Min/Max
230	50/60	140	1,15	780	3990	73	R	-20°C / +50°C
230	50/60			459 CFM				-4°F / 122°F

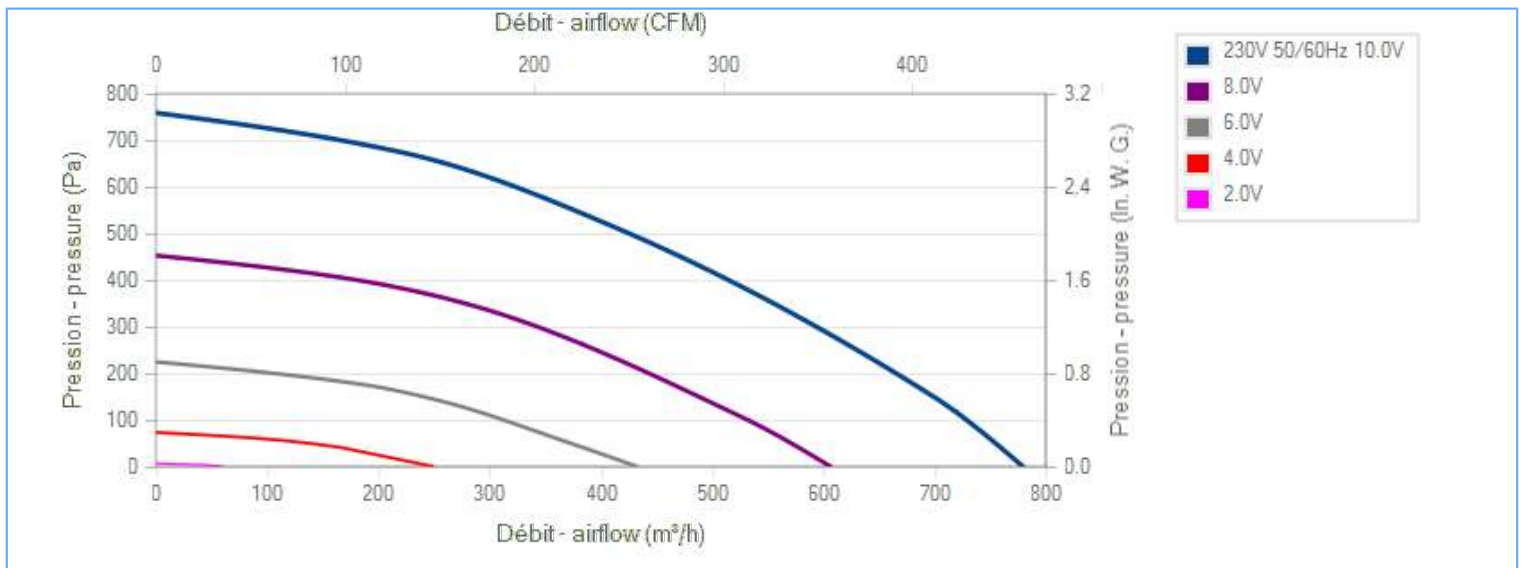
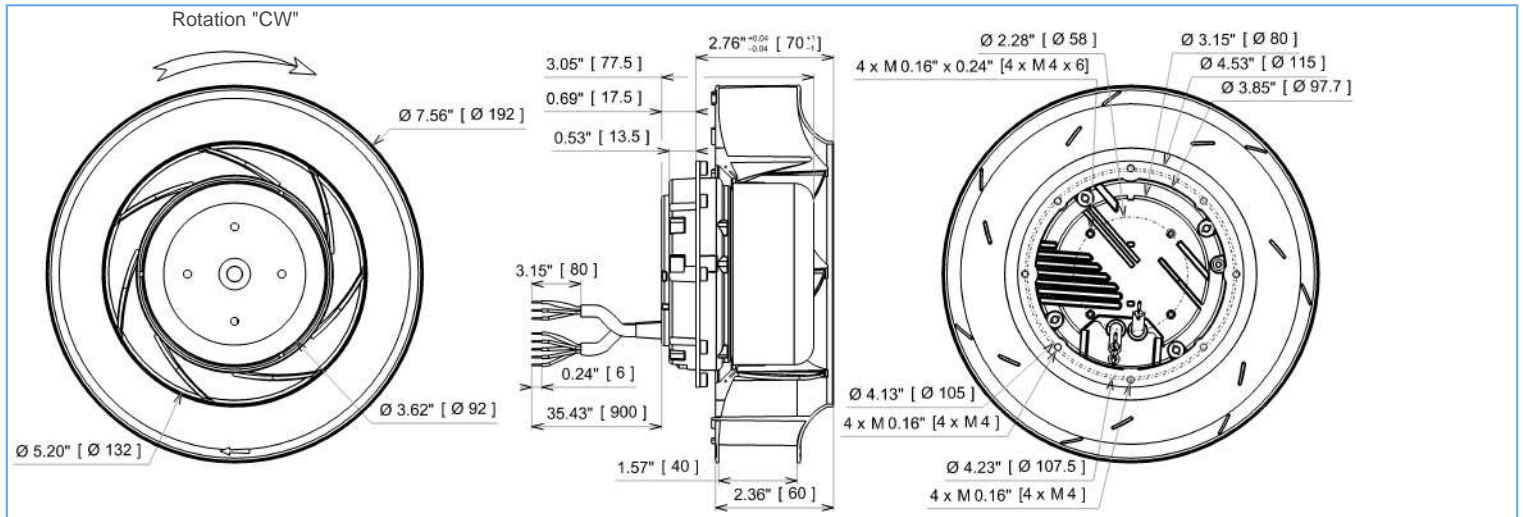
dBA : free blowing

ErP 2013

OK

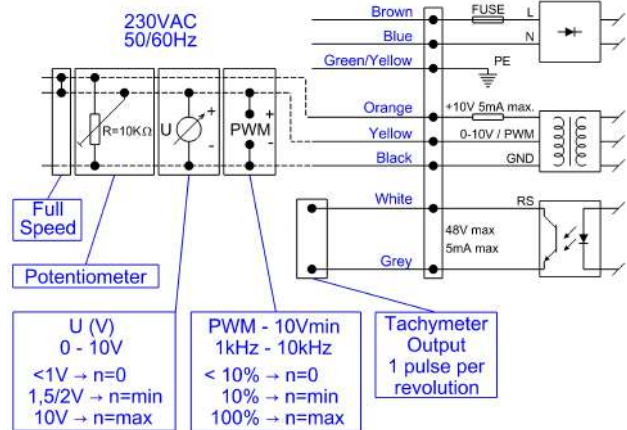
ErP 2015

OK



Description

- .Weight : 1,3 Kg
- .Ball bearing
- .Insulation Class F
- .IP4x may be IP44 according to EN60034-5 after checking the integration into the customer appliance
- .G2.5 balancing
- .Rotor : black paint
- .PP UL 94 V-0 plastic impeller
- .Motor - UL Recognized component



Non contractual document. All specifications are subject to change without prior notice. Picture for information only.



RREuG9 192x40R

M12-A4-1



DATA SHEET

release. e - Revision 04-2017

Data in accordance to ErP directive

Voltage	230	V
Frequency	50	Hz
Power	0,150	kW ⁽¹⁾
Airflow	413	m ³ /h ⁽¹⁾
Pressure	513	Pa ⁽¹⁾
Rotation speed	3872	RPM ⁽¹⁾

(1) at optimal efficiency point

	Actual	Request 2013	Request 2015
Overall efficiency (η)	45	38,8	42,8
Efficiency grade	64	58	62
Installation category	A		
Efficiency category	static		
Variable speed drive	Yes		
Specific ratio	1,00		

Designed for regular application according ErP directive EU 2009/125/EC

Accessories

21181

16043

Measurement setup

16043 OUIE OG 128 GALVA

Documents

Manuel d'utilisation

www.ecofit.com/site/normes

Operating and recycling manual

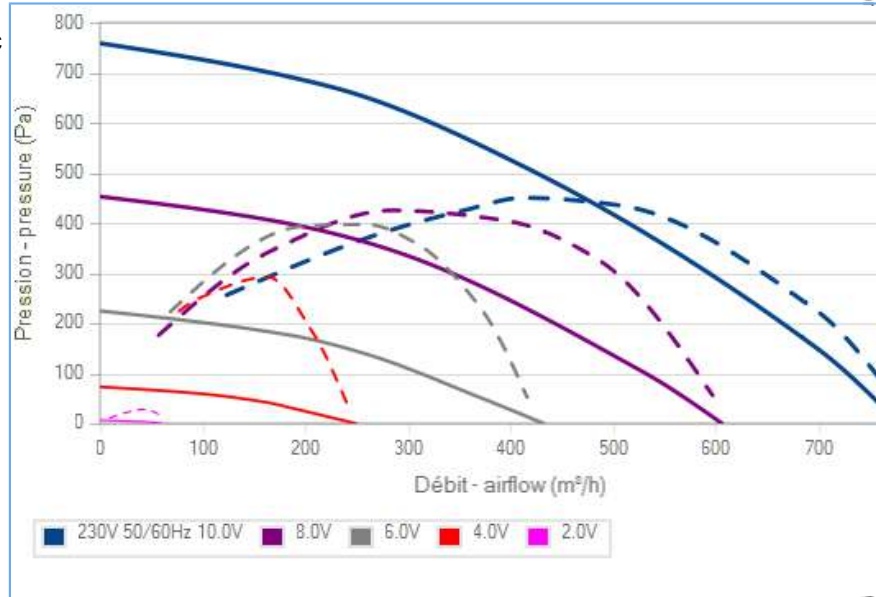
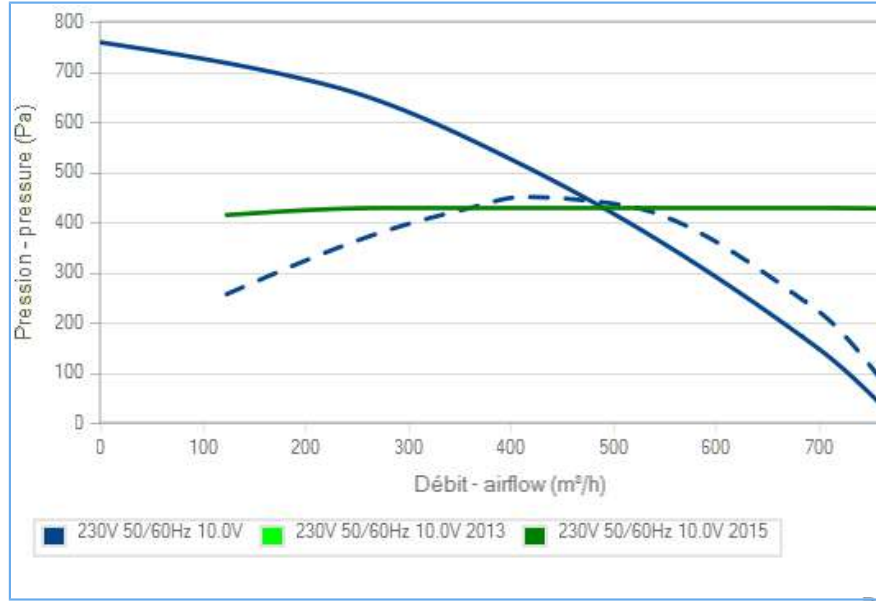
www.ecofit.com/anglais/normes



IEC 60335-2-80:2002 + A1:2004 +
IEC 60335-1:2010
EN 60335-2-80:2003 + A1:2004 + A2:2009 +
EN 60335-1:2012
RT9192CE



UL1004-1, 2nd edition "rotating electrical machine"
UL1004-3, 1st edition "thermally protected motors"
UL1004-7, 2nd edition "electronically protected motors"
C22.2 N°100-04, 6th edition "motors and generator"
C22.2 N°77-95, 7th edition "motors with inherent overheating protection"
UL Motor Model : RT9192
File Number : E326930 XDNW2,8



La courbe de rendement intègre le facteur de compensation de charge partielle du règlement (UE) n°327/2011
The efficiency curve includes part load compensation factor of regulation (EU) n°327/2011



RREuG9 192x40R (120V) M17-A4-1



DATA SHEET

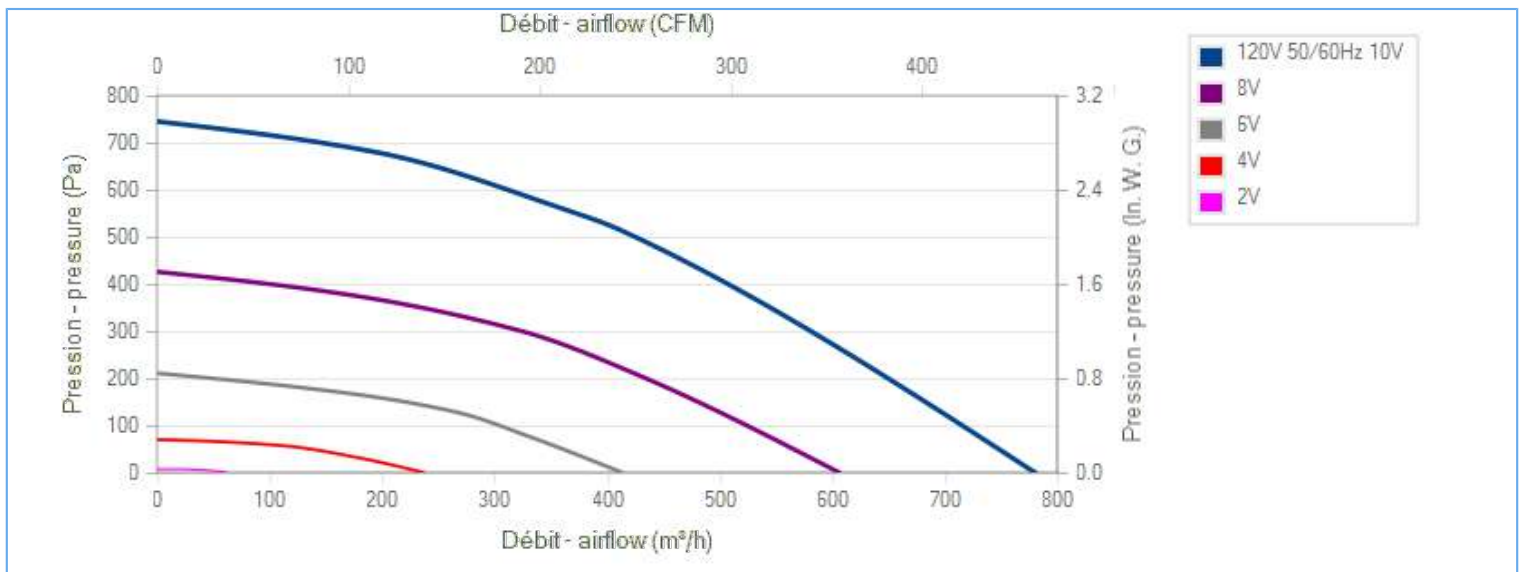
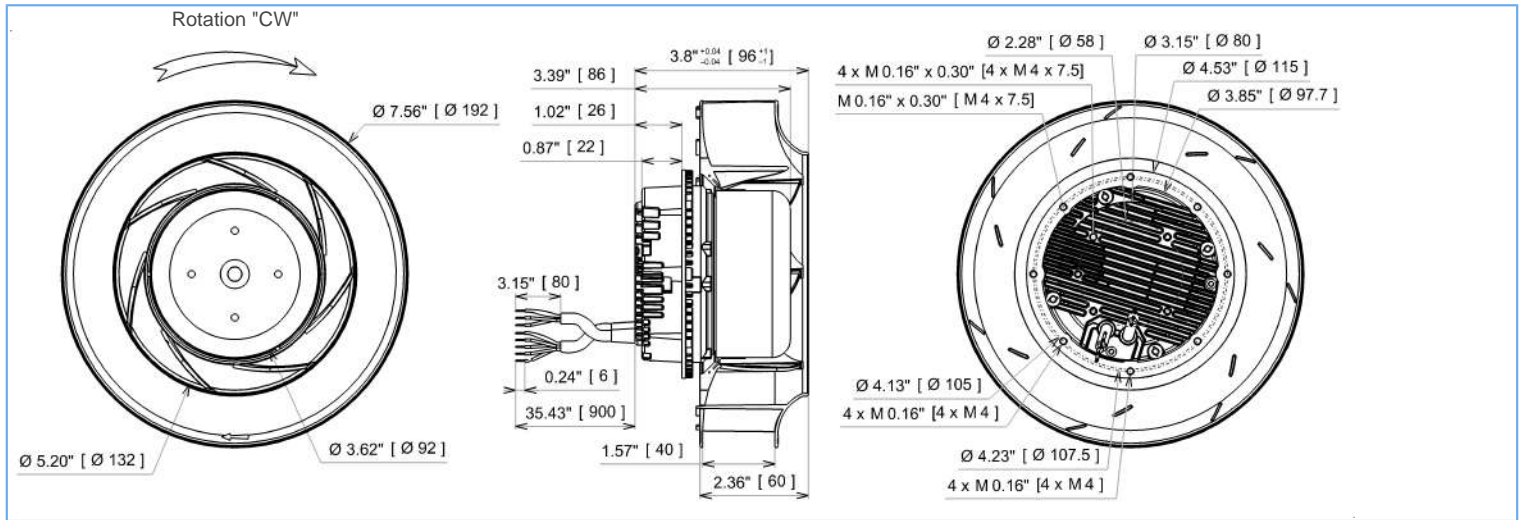
release. e - Revision 05-2017

Voltage	Frequency	Input Power	Input Current	Airflow	Rotation speed	Acoustic level	Direction rotation	Admissible Temperature
V	Hz	W	A	m ³ /h	RPM	dBA	↻	Min/Max
120	50/60	140	2,07	780	3990	73	R	-25°C / +60°C
120	50/60			459 CFM				-13°F / 140°F

dBA : free blowing

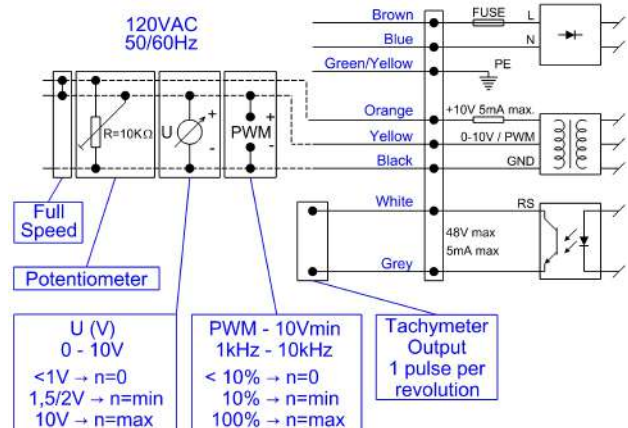
ErP 2013 OK

ErP 2015 OK



Description

- .Weight : 1,8 Kg
- .Ball bearing
- .Insulation Class F
- .IP4x may be IP44 according to EN60034-5 after checking the integration into the customer appliance
- .G2.5 balancing
- .Rotor : black paint
- .PP UL 94 V-0 plastic impeller





RREuG9 192x40R (120V) M17-A4-1



DATA SHEET

release. e - Revision 05-2017

Data in accordance to ErP directive

Voltage	120	V
Frequency	50	Hz
Power	0,150	kW ⁽¹⁾
Airflow	413	m ³ /h ⁽¹⁾
Pressure	513	Pa ⁽¹⁾
Rotation speed	3845	RPM ⁽¹⁾

(1) at optimal efficiency point

	Actual	Request 2013	Request 2015
Overall efficiency (η)	45	38,8	42,8
Efficiency grade	64	58	62
Installation category	A		
Efficiency category	static		
Variable speed drive	Yes		
Specific ratio	1,00		

Designed for regular application according ErP directive EU 2009/125/EC

Accessories

21181

16043

Measurement setup

16043 OUIE OG 128 GALVA

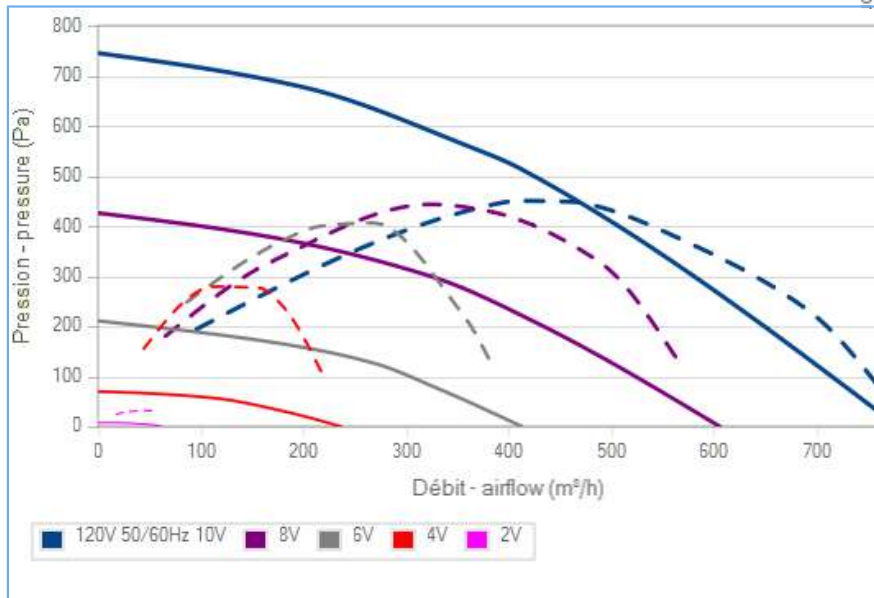
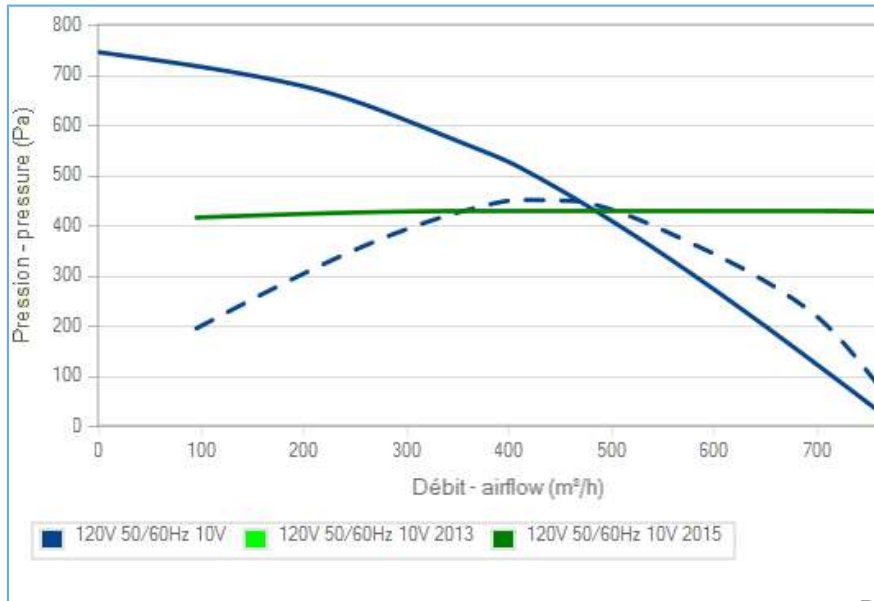
Documents

Manuel d'utilisation
www.ecofit.com/site/normes

Operating and recycling manual
www.ecofit.com/anglais/normes



UL1004-1, 2nd edition "rotating electrical machine"
 UL1004-3, 1st edition "thermally protected motors"
 UL1004-7, 2nd edition "electronically protected motors"
 C22.2 N°100-04, 6th edition "motors and generator"
 C22.2 N°77-95, 7th edition "motors with inherent overheating protection"
 UL Motor Model : RT9191
 File Number : E326930 XDNW2,8



La courbe de rendement intègre le facteur de compensation de charge partielle du règlement (UE) n°327/2011
 The efficiency curve includes part load compensation factor of regulation (EU) n°327/2011



RREuG9 220x45R (120V) M17-A5-1



DATA SHEET

release. g - Revision 05-2017

Voltage	Frequency	Input Power	Input Current	Airflow	Rotation speed	Acoustic level	Direction rotation	Admissible Temperature
V	Hz	W	A	m ³ /h	RPM	dBA	↻	Min/Max
120	50/60	145	1,93	1250	3395	70	R	-25°C / +60°C
120	50/60			735 CFM				-13°F / 140°F



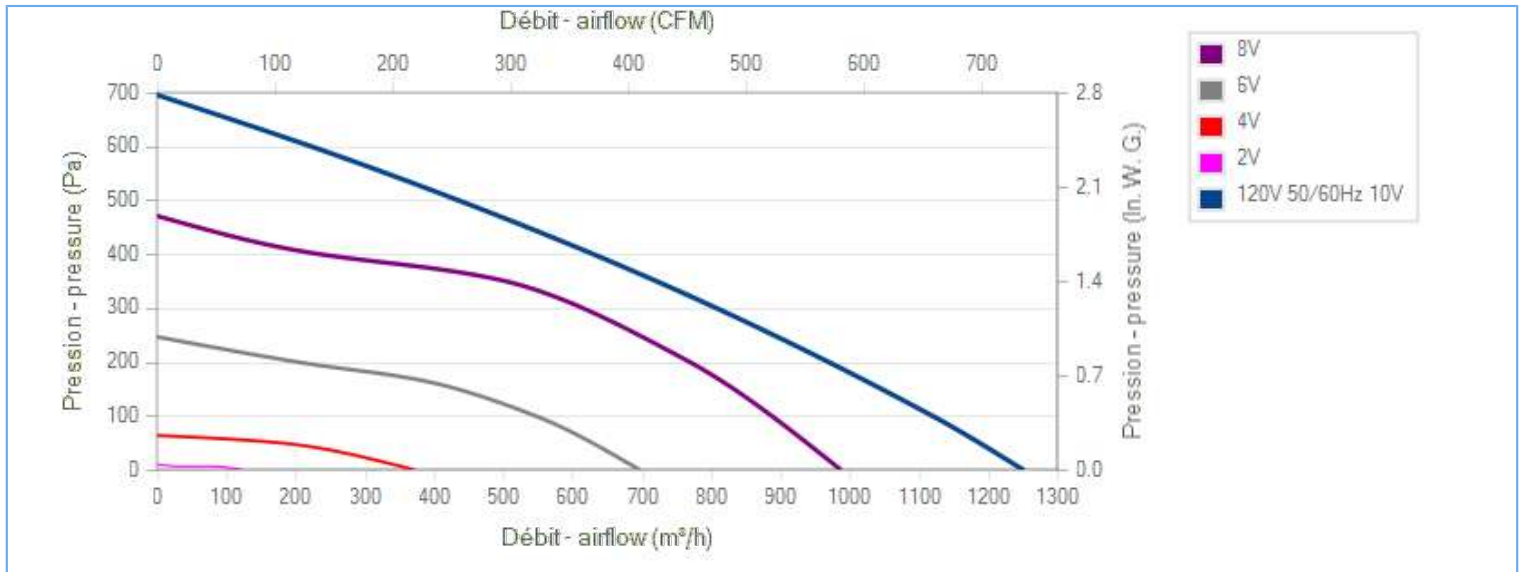
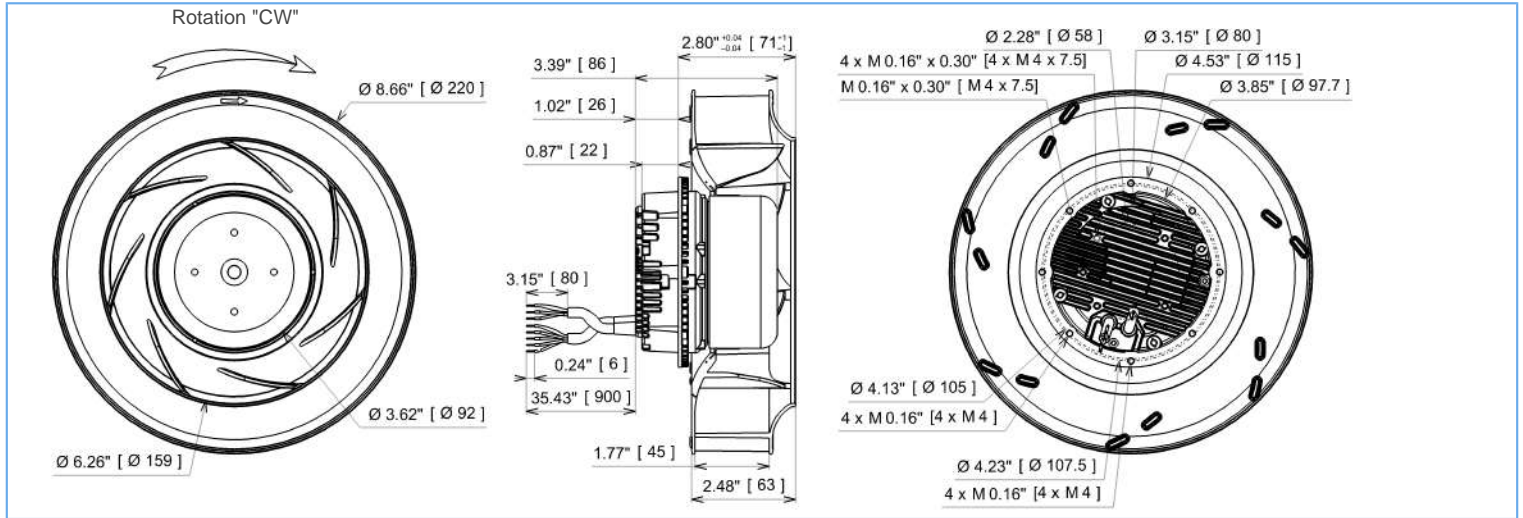
dBA : free blowing

ErP 2013

OK

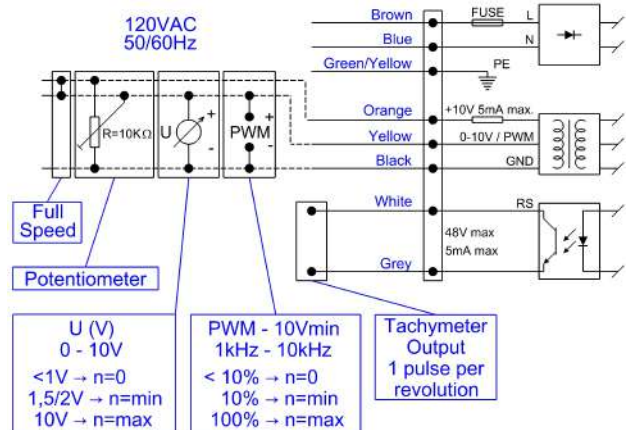
ErP 2015

OK



Description

- .Weight : 1,8 Kg
- .Ball bearing
- .Insulation Class F
- .IP4x may be IP44 according to EN60034-5 after checking the integration into the customer appliance
- .G2.5 balancing
- .Rotor : black paint
- .PA 6/6 UL 94 V-0 plastic impeller





RREuG9 220x45R (120V) M17-A5-1



DATA SHEET

release. g - Revision 05-2017

Data in accordance to ErP directive

Voltage	120	V
Frequency	50	Hz
Power	0,149	kW ⁽¹⁾
Airflow	729	m ³ /h ⁽¹⁾
Pressure	345	Pa ⁽¹⁾
Rotation speed	3072	RPM ⁽¹⁾

(1) at optimal efficiency point

	Actual	Request 2013	Request 2015
Overall efficiency (η)	53,6	38,8	42,8
Efficiency grade	73	58	62
Installation category	A		
Efficiency category	static		
Variable speed drive	Yes		
Specific ratio	1,00		

Designed for regular application according ErP directive EU 2009/125/EC

Accessories

16214

Measurement setup

16214 Ouie Ø252 ext Ø153 int GALVA

Documents

Manuel d'utilisation

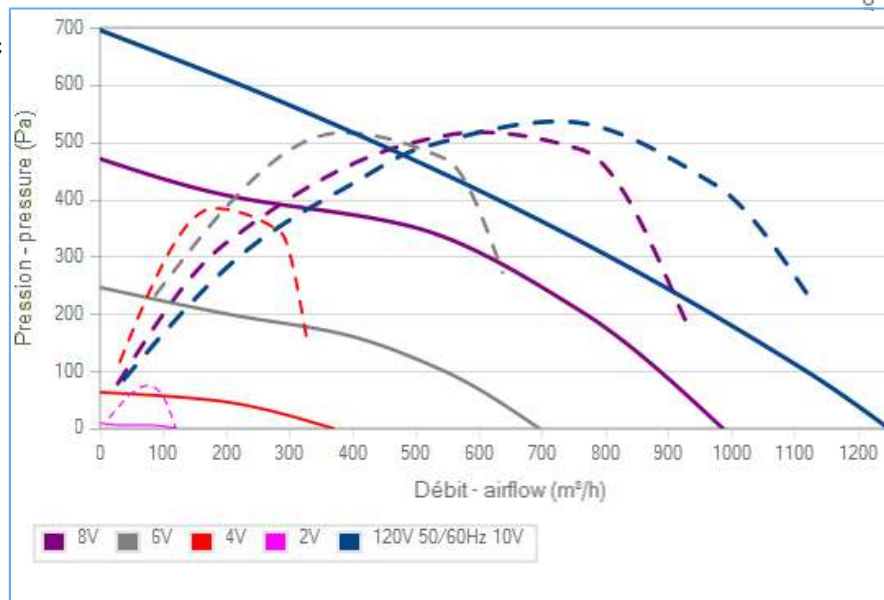
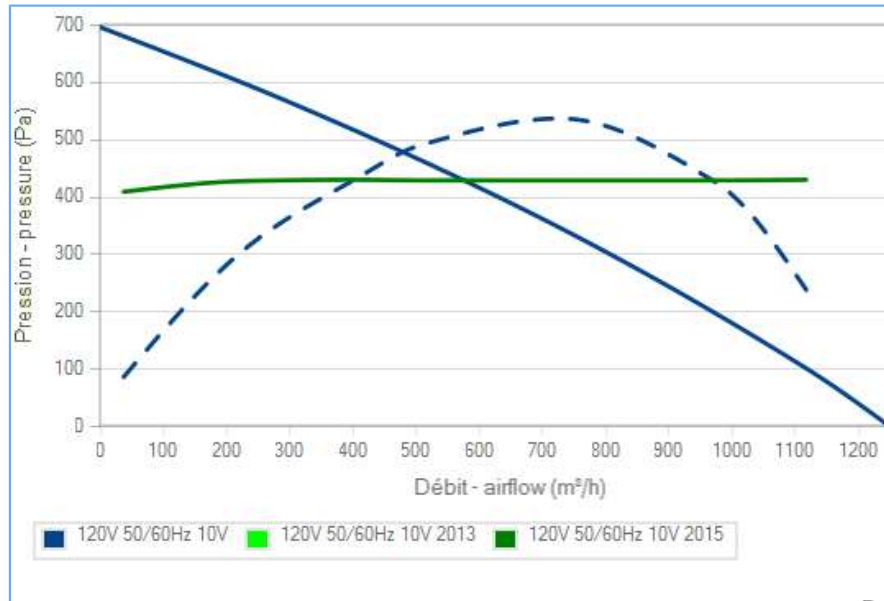
www.ecofit.com/site/normes

Operating and recycling manual

www.ecofit.com/anglais/normes



UL1004-1, 2nd edition "rotating electrical machine"
 UL1004-3, 1st edition "thermally protected motors"
 UL1004-7, 2nd edition "electronically protected motors"
 C22.2 N°100-04, 6th edition "motors and generator"
 C22.2 N°77-95, 7th edition "motors with inherent overheating protection"
 UL Motor Model : RT9191
 File Number : E326930 XDNW2,8



La courbe de rendement intègre le facteur de compensation de charge partielle du règlement (UE) n°327/2011
 The efficiency curve includes part load compensation factor of regulation (EU) n°327/2011



RREuG9 225x63R (120V) M17-A6-1



DATA SHEET

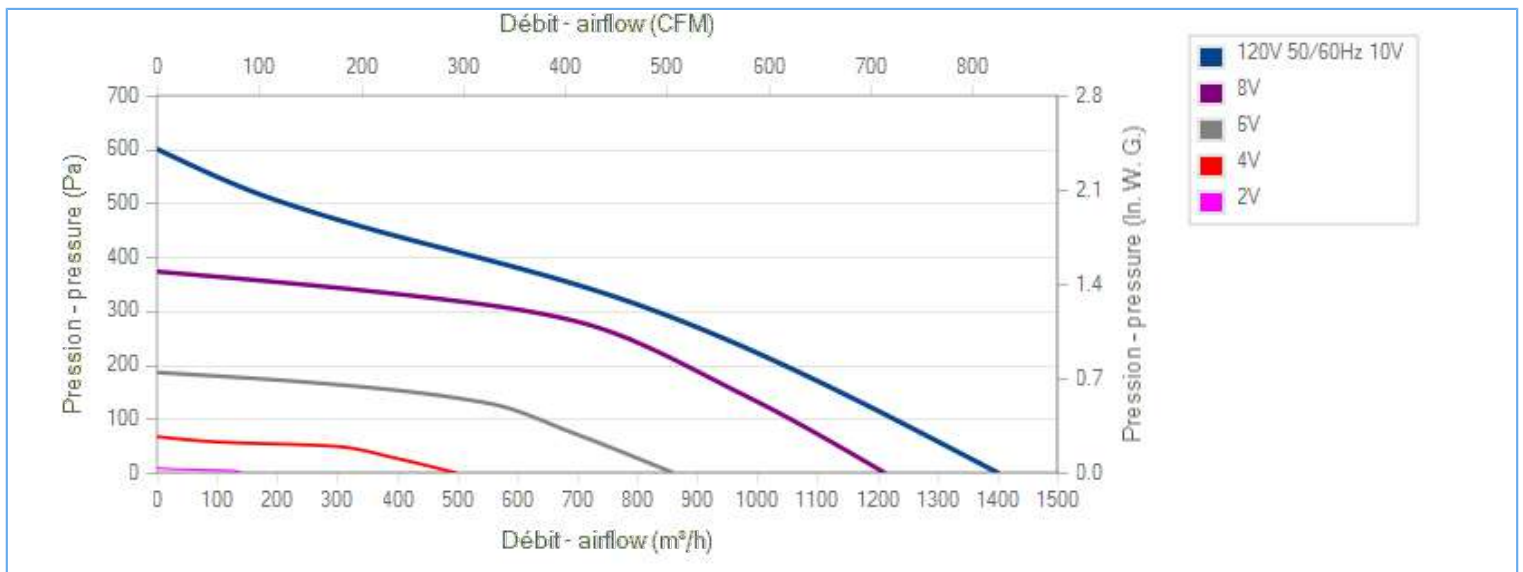
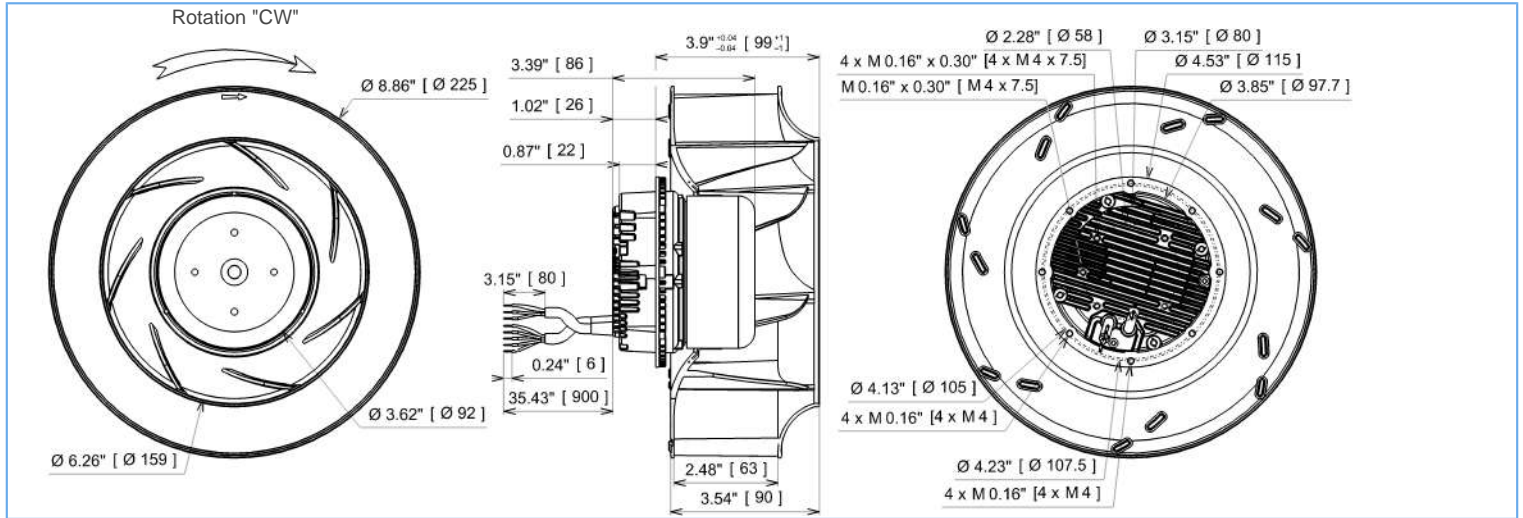
release. f - Revision 05-2017

Voltage	Frequency	Input Power	Input Current	Airflow	Rotation speed	Acoustic level	Direction rotation	Admissible Temperature
V	Hz	W	A	m ³ /h	RPM	dBA	↻	Min/Max
120	50/60	150	2,01	1400	2780	69	R	-25°C / +60°C
120	50/60			824 CFM				-13°F / 140°F

dBA : free blowing

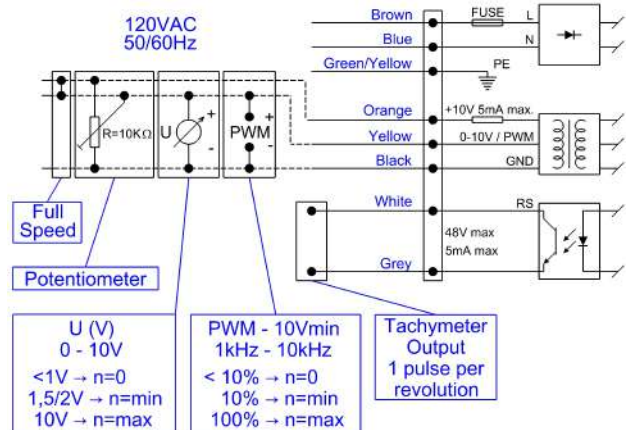
ErP 2013 OK

ErP 2015 OK



Description

- .Weight : 1,7 Kg
- .Ball bearing
- .Insulation Class F
- .IP4x may be IP44 according to EN60034-5 after checking the integration into the customer appliance
- .G2.5 balancing
- .Rotor : black paint
- .PA 6/6 UL 94 V-0 plastic impeller



Non contractual document. All specifications are subject to change without prior notice. Picture for information only.



RREuG9 225x63R (120V) M17-A6-1



DATA SHEET

release. f - Revision 05-2017

Data in accordance to ErP directive

Voltage	120	V
Frequency	50	Hz
Power	0,150	kW ⁽¹⁾
Airflow	742	m ³ /h ⁽¹⁾
Pressure	329	Pa ⁽¹⁾
Rotation speed	2569	RPM ⁽¹⁾

(1) at optimal efficiency point

	Actual	Request 2013	Request 2015
Overall efficiency (η)	51,8	38,8	42,8
Efficiency grade	71	58	62
Installation category	A		
Efficiency category	static		
Variable speed drive	Yes		
Specific ratio	1,00		

Designed for regular application according ErP directive EU 2009/125/EC

Accessories

16214

Measurement setup

16214 Ouie Ø252 ext Ø153 int GALVA

Documents

Manuel d'utilisation

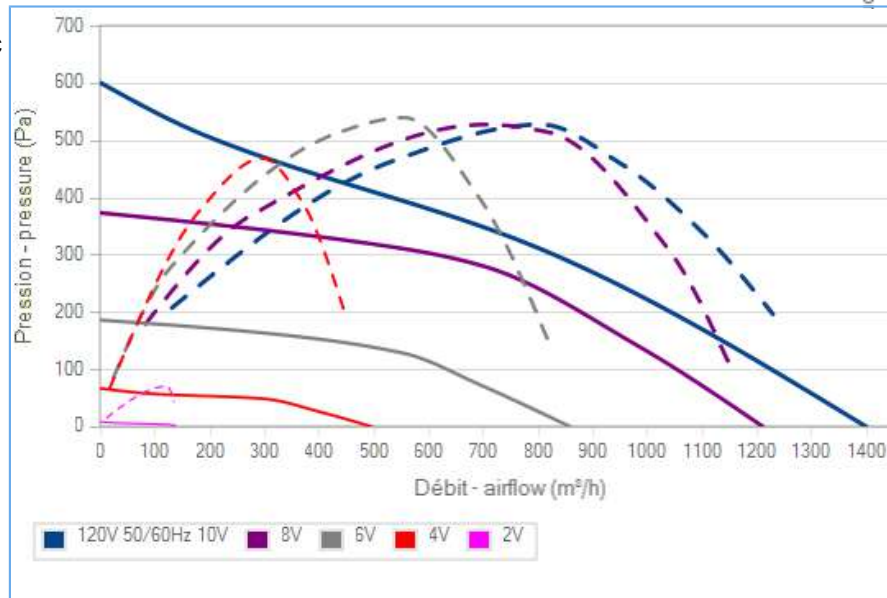
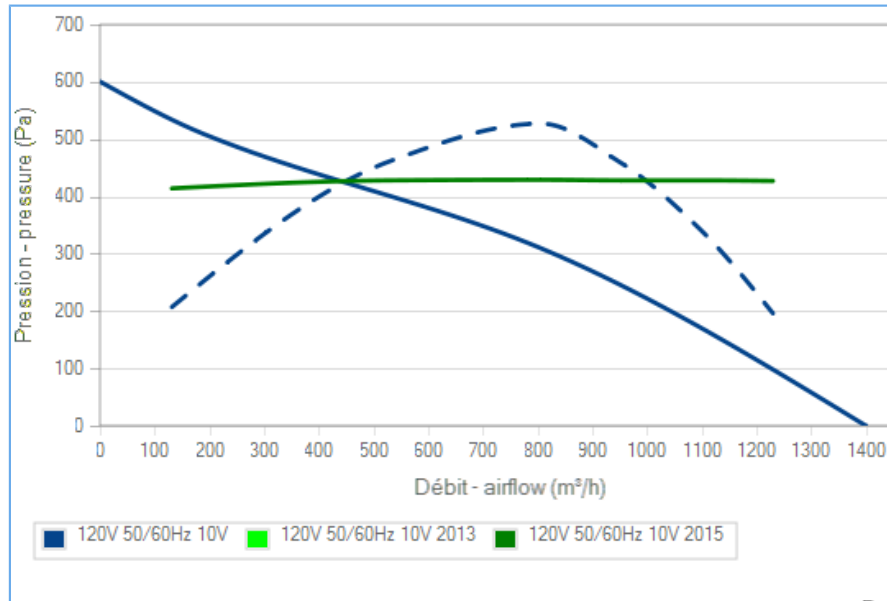
www.ecofit.com/site/normes

Operating and recycling manual

www.ecofit.com/anglais/normes



UL1004-1, 2nd edition "rotating electrical machine"
 UL1004-3, 1st edition "thermally protected motors"
 UL1004-7, 2nd edition "electronically protected motors"
 C22.2 N°100-04, 6th edition "motors and generator"
 C22.2 N°77-95, 7th edition "motors with inherent overheating protection"
 UL Motor Model : RT9191
 File Number : E326930 XDNW2,8



La courbe de rendement intègre le facteur de compensation de charge partielle du règlement (UE) n°327/2011
 The efficiency curve includes part load compensation factor of regulation (EU) n°327/2011



RREG9 192x40R

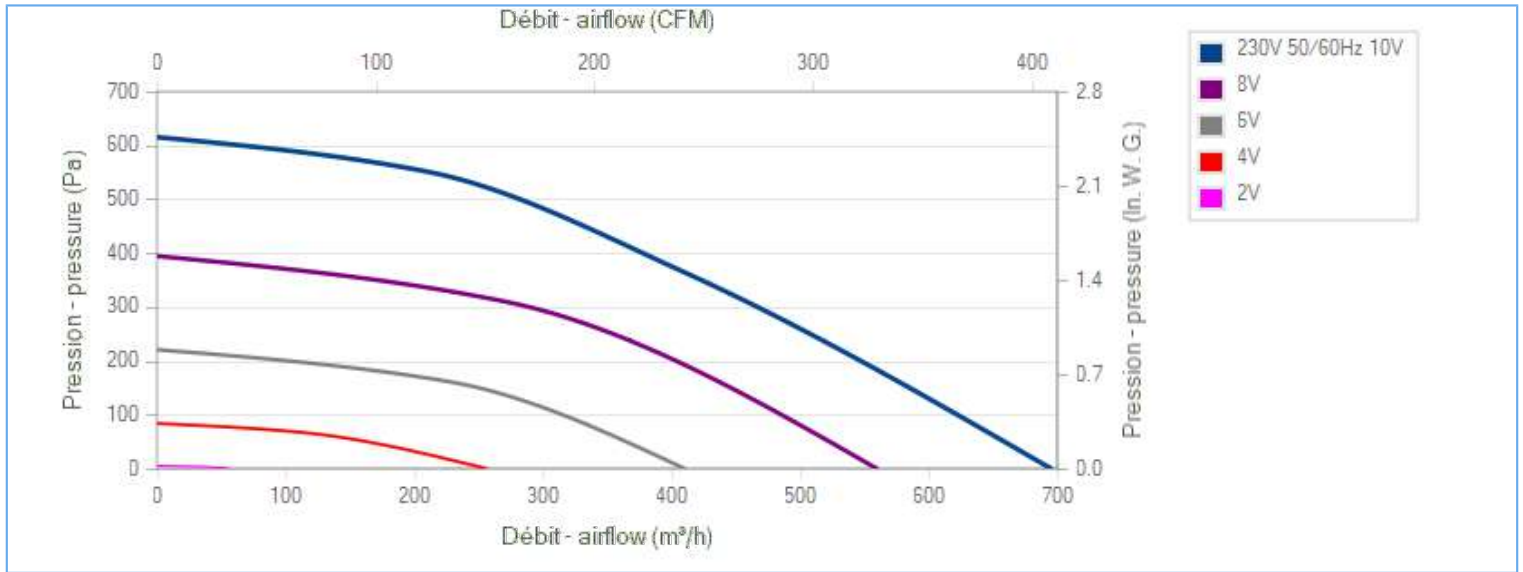
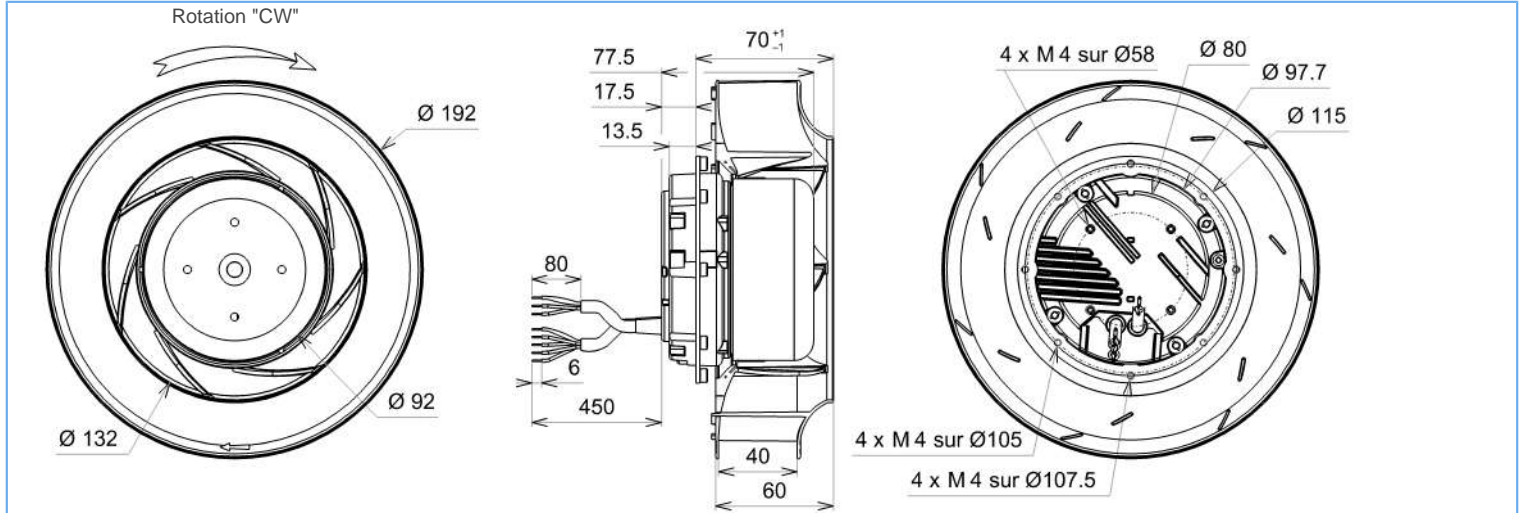
M45-A5-1



DATA SHEET

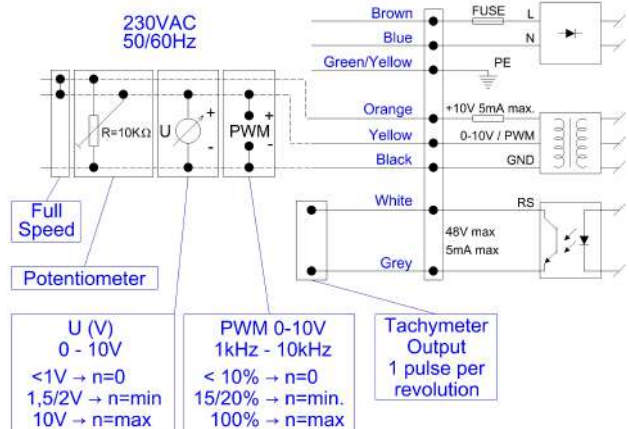
release. b - Revision 09-2017

Voltage	Frequency	Input Power	Input Current	Airflow	Rotation speed	Acoustic level	Direction rotation	Admissible Temperature
V	Hz	W	A	m ³ /h	RPM	dBA		Min/Max
230	50/60	104	0,83	695	3570		R	-20°C / +50°C
230	50/60			409 CFM				-4°F / 122°F
dBA : free blowing		NA : not applicable		ErP 2013		NA	ErP 2015	NA



Description

- .Weight : 1,2 Kg
- .Ball bearing
- .Insulation Class F
- .IP4x may be IP44 according to EN60034-5 after checking the integration into the customer appliance
- .G2.5 balancing
- .Rotor : black paint
- .PP UL 94 V-0 plastic impeller





RREG9 192x40R

M45-A5-1



DATA SHEET

release. b - Revision 09-2017

Data in accordance to ErP directive

Voltage	230	V
Frequency	50	Hz
Power	0,102	kW ⁽¹⁾
Airflow	377	m ³ /h ⁽¹⁾
Pressure	398	Pa ⁽¹⁾
Rotation speed	3410	RPM ⁽¹⁾

(1) at optimal efficiency point

ErP directive (EU 2009/125/EC) not applicable :
Power at optimum energy efficiency point

Accessories

- 21181
- 16043

Measurement setup

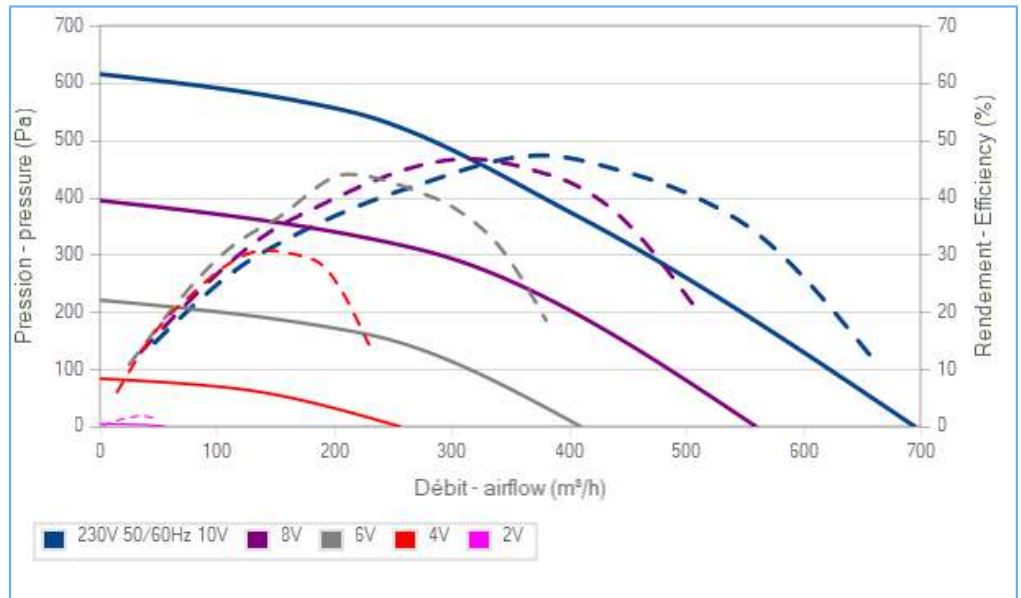
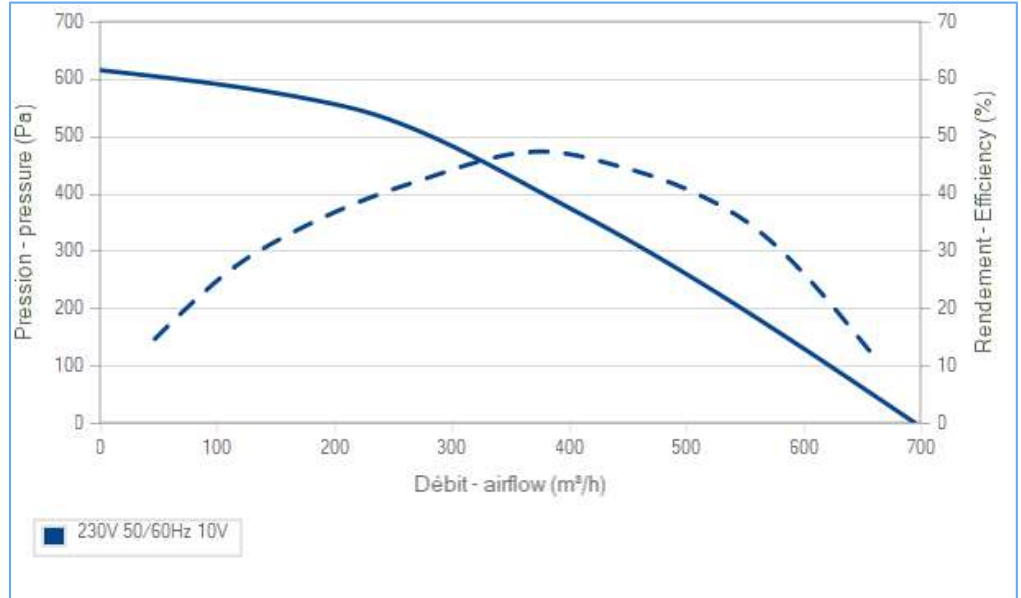
- 16043 OUIE OG 128 GALVA

Documents

- Manuel d'utilisation
www.ecofit.com/site/normes
- Operating and recycling manual
www.ecofit.com/anglais/normes



IEC 60335-2-80:2002 + A1:2004 +
IEC 60335-1:2010
EN 60335-2-80:2003 + A1:2004 + A2:2009 +
EN 60335-1:2012
RT9192CE



La courbe de rendement intègre le facteur de compensation de charge partielle du règlement (UE) n°327/2011
The efficiency curve includes part load compensation factor of regulation (EU) n°327/2011

Non contractual document. All specifications are subject to change without prior notice. Picture for information only.



RRMG9 192x40R

N03-A2-1



DATA SHEET

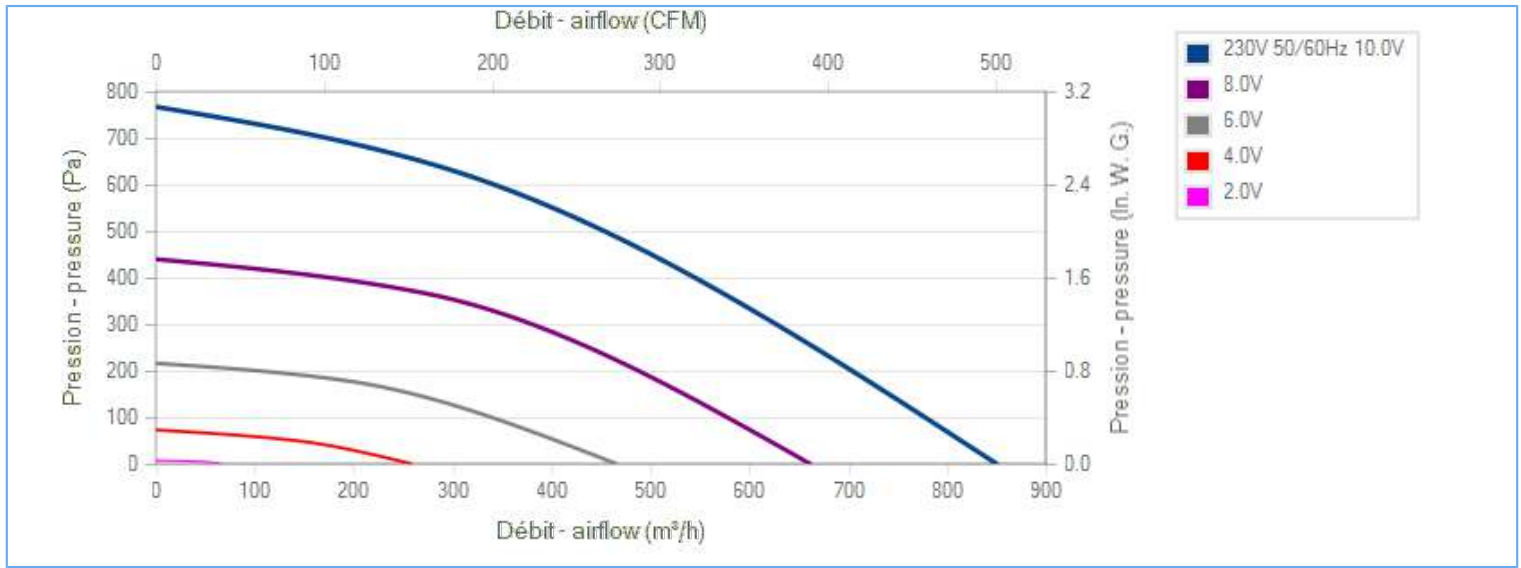
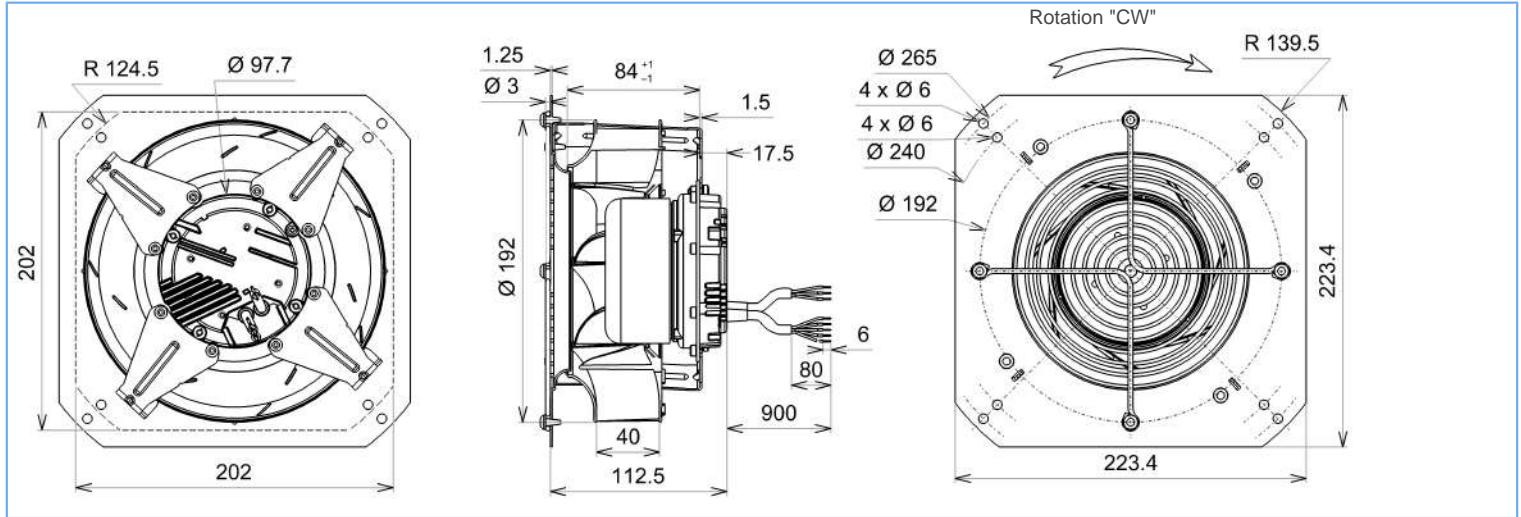
release. e - Revision 04-2015

Voltage	Frequency	Input Power	Input Current	Airflow	Rotation speed	Acoustic level	Direction rotation	Admissible Temperature
V	Hz	W	A	m ³ /h	RPM	dBA	↻	Min/Max
230	50/60	136	1,07	850	4020	73	R	-20°C / +50°C
230	50/60			500 CFM				-4°F / 122°F

dBA : free blowing

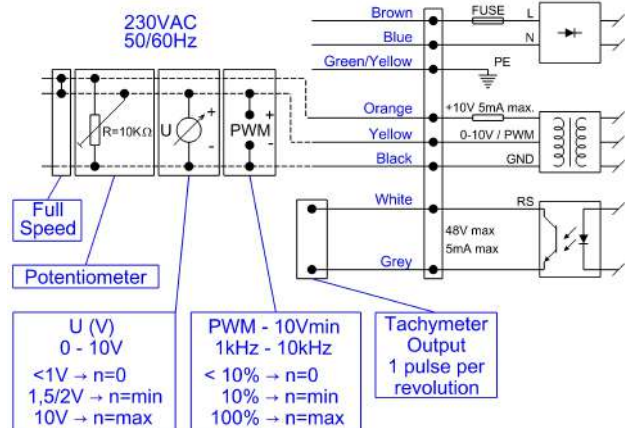
ErP 2013 **OK**

ErP 2015 **OK**



Description

- .Weight : 1.6 Kg
- .Ball bearing
- .Insulation Class F
- .IP4x may be IP44 according to EN60034-5 after checking the integration into the customer appliance
- .G2.5 balancing
- .Rotor and impeller : black paint
- .PP plastic impeller



Non contractual document. All specifications are subject to change without prior notice. Picture for information only.



RRMG9 192x40R

N03-A2-1



DATA SHEET

release. e - Revision 04-2015

Data in accordance to ErP directive

Voltage	230	V
Frequency	50	Hz
Power	0,147	kW ⁽¹⁾
Airflow	438	m ³ /h ⁽¹⁾
Pressure	498	Pa ⁽¹⁾
Rotation speed	3782	RPM ⁽¹⁾

(1) at optimal efficiency point

	Actual	Request 2013	Request 2015
Overall efficiency (η)	47,1	38,8	42,8
Efficiency grade	66	58	62
Installation category	A		
Efficiency category	static		
Variable speed drive	Yes		
Specific ratio	1,00		

Designed for regular application according ErP directive EU 2009/125/EC

Accessories

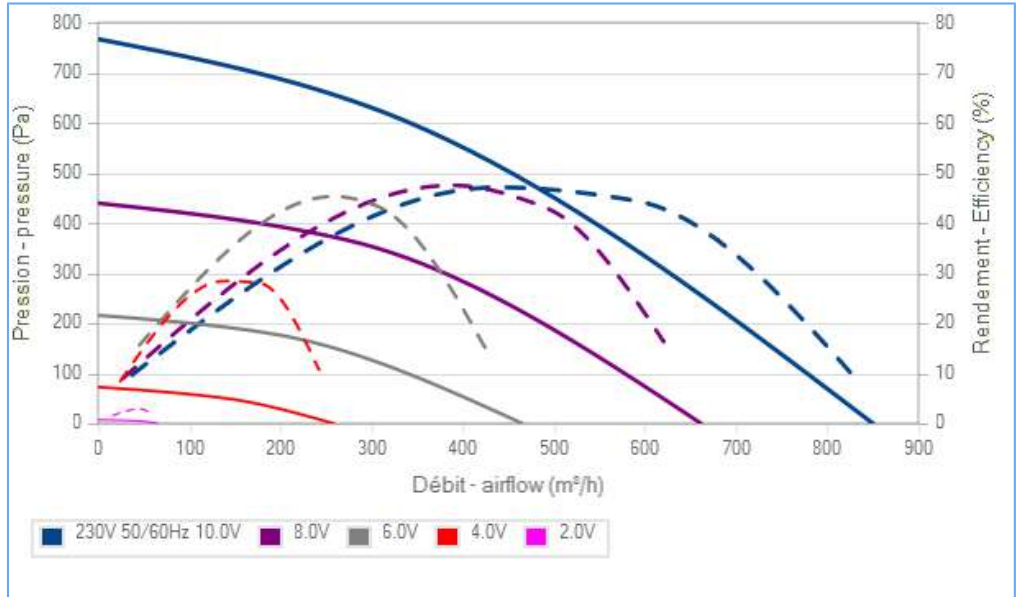
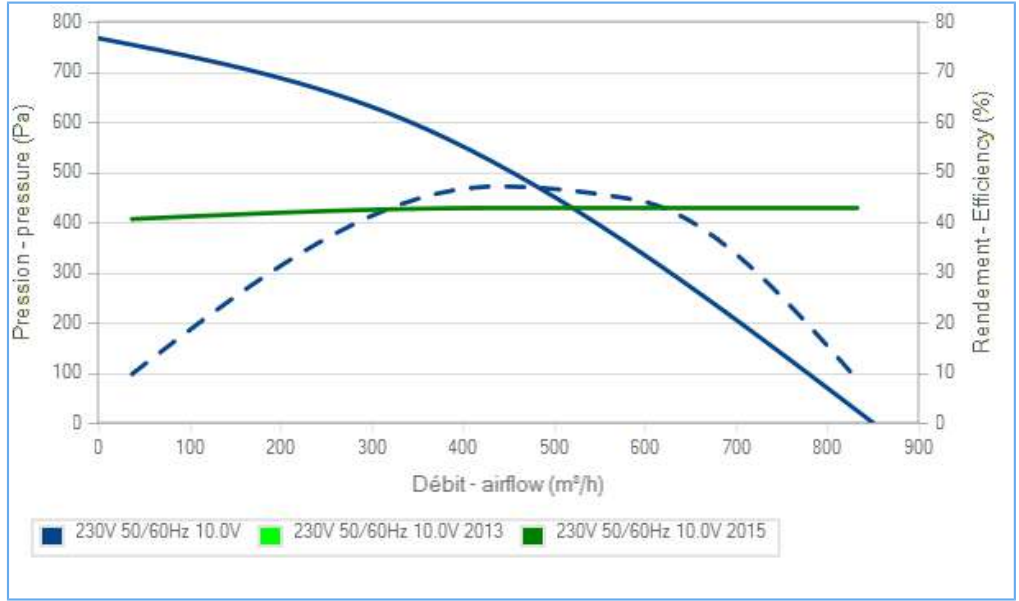
Measurement setup

16239

Documents

Manuel d'utilisation
www.ecofit.com/site/normes

Operating and recycling manual
www.ecofit.com/anglais/normes



La courbe de rendement intègre le facteur de compensation de charge partielle du règlement (UE) n°327/2011
 The efficiency curve includes part load compensation factor of regulation (EU) n°327/2011

CE IEC 60335-2-80:2002 + A1:2004 +
 IEC 60335-1:2010
 EN 60335-2-80:2003 + A1:2004 + A2:2009 +
 EN 60335-1:2012
 RT9192CE

Non contractual document. All specifications are subject to change without prior notice. Picture for information only.



RRMG9 220x45R

N03-A3-1



DATA SHEET

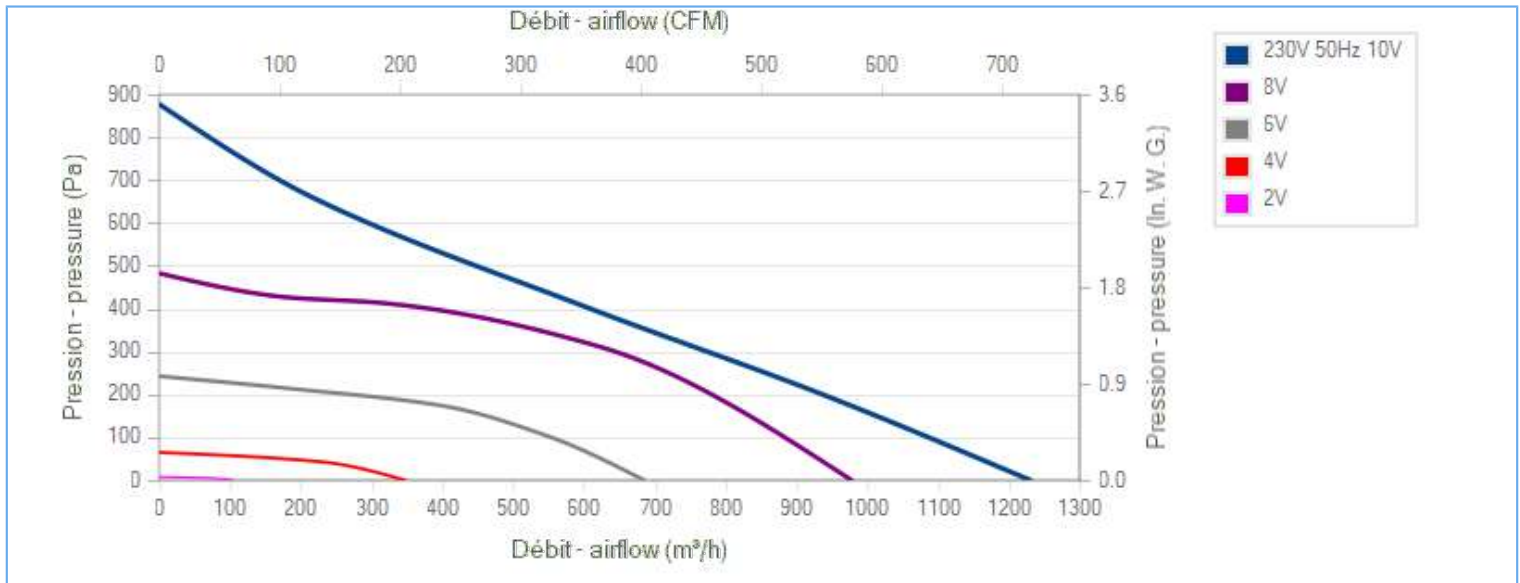
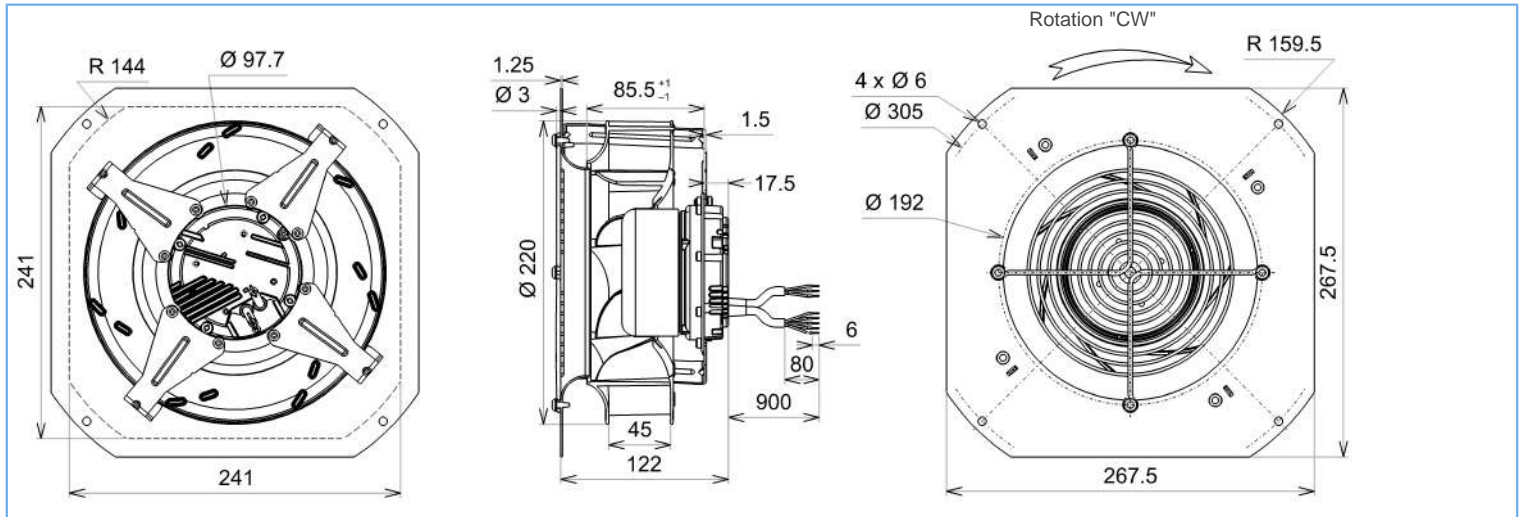
release. e - Revision 02-2018

Voltage	Frequency	Input Power	Input Current	Airflow	Rotation speed	Acoustic level	Direction rotation	Admissible Temperature
V	Hz	W	A	m ³ /h	RPM	dBA	↻	Min/Max
230	50/60	150	1,2	1230	3525	73	R	-20°C / +50°C
230	50/60			723 CFM				-4°F / 122°F

dBA : free blowing

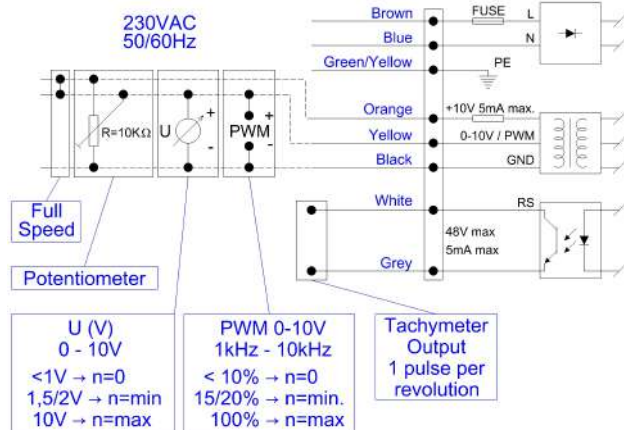
ErP 2013 **OK**

ErP 2015 **OK**



Description

- .Weight : 2,9 Kg
- .Ball bearing
- .Insulation Class F
- .IP4x may be IP44 according to EN60034-5 after checking the integration into the customer appliance
- .G2.5 balancing
- .Rotor : black paint
- .PA 6/6 plastic impeller





RRMG9 220x45R

N03-A3-1



DATA SHEET

release. e - Revision 02-2018

Data in accordance to ErP directive

Voltage	230	V
Frequency	50	Hz
Power	0,150	kW ⁽¹⁾
Airflow	601	m ³ /h ⁽¹⁾
Pressure	405	Pa ⁽¹⁾
Rotation speed	3058	RPM ⁽¹⁾

(1) at optimal efficiency point

	Actual	Request 2013	Request 2015
Overall efficiency (η)	51,6	38,8	42,8
Efficiency grade	71	58	62
Installation category	A		
Efficiency category	static		
Variable speed drive	Yes		
Specific ratio	1,00		

Designed for regular application according ErP directive EU 2009/125/EC

Accessories

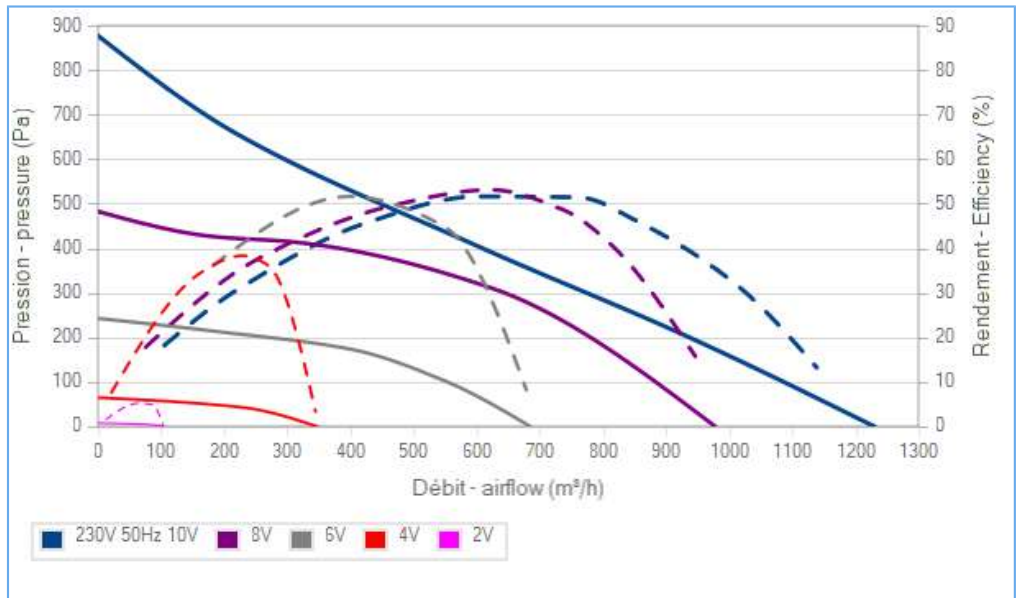
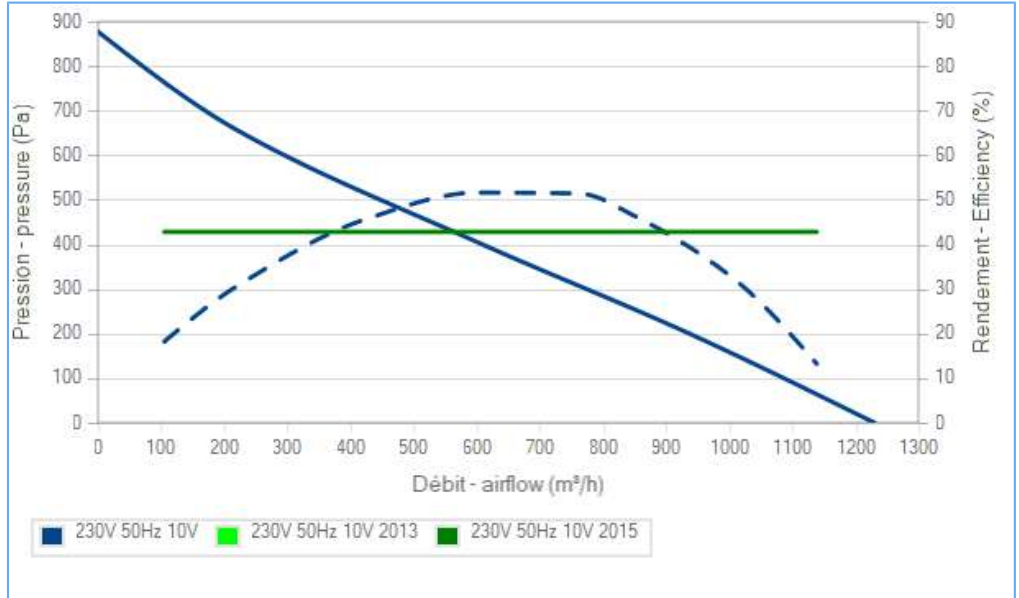
Measurement setup

16240

Documents

Manuel d'utilisation
www.ecofit.com/site/normes

Operating and recycling manual
www.ecofit.com/anglais/normes



La courbe de rendement intègre le facteur de compensation de charge partielle du règlement (UE) n°327/2011
 The efficiency curve includes part load compensation factor of regulation (EU) n°327/2011

CE IEC 60335-2-80:2002 + A1:2004 + IEC 60335-1:2010
 EN 60335-2-80:2003 + A1:2004 + A2:2009 + EN 60335-1:2012
 RT9192CE

Non contractual document. All specifications are subject to change without prior notice. Picture for information only.



RRMG9 225x63R

N03-A4-1



DATA SHEET

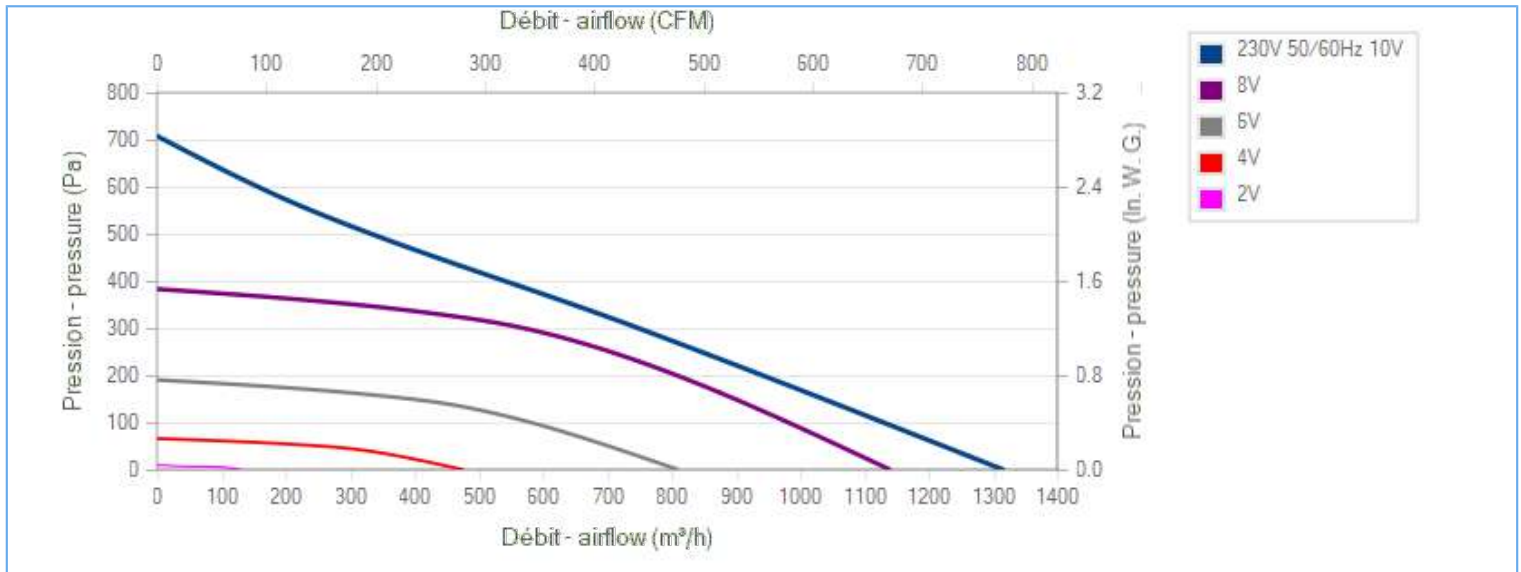
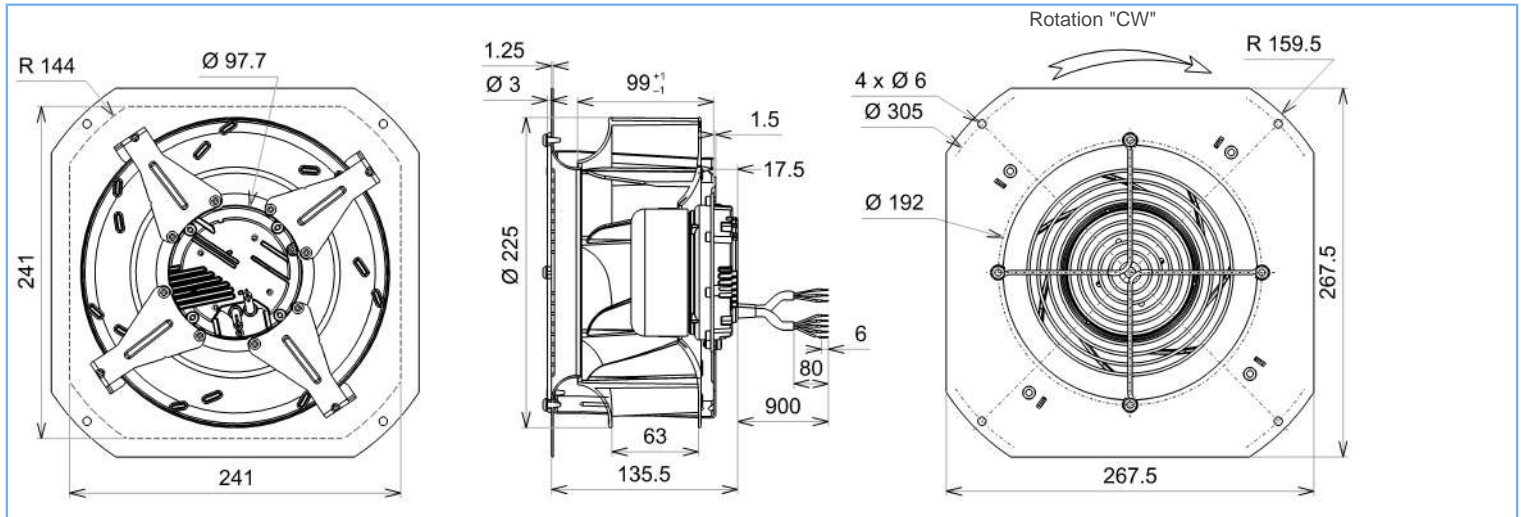
release. d - Revision 02-2018

Voltage	Frequency	Input Power	Input Current	Airflow	Rotation speed	Acoustic level	Direction rotation	Admissible Temperature
V	Hz	W	A	m ³ /h	RPM	dBA	↻	Min/Max
230	50/60	150	1,18	1315	2860	71	R	-20°C / +50°C
230	50/60			774 CFM				-4°F / 122°F

dBA : free blowing

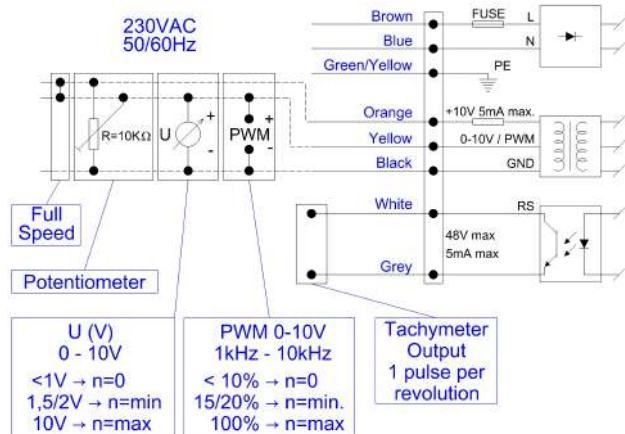
ErP 2013 **OK**

ErP 2015 **OK**



Description

- .Weight : 3,1 Kg
- .Ball bearing
- .Insulation Class F
- .IP4x may be IP44 according to EN60034-5 after checking the integration into the customer appliance
- .G2.5 balancing
- .Rotor : black paint
- .PA 6/6 UL 94 V-0 plastic impeller





RRMG9 225x63R

N03-A4-1



DATA SHEET

release. d - Revision 02-2018

Data in accordance to ErP directive

Voltage	230	V
Frequency	50	Hz
Power	0,150	kW ⁽¹⁾
Airflow	744	m ³ /h ⁽¹⁾
Pressure	302	Pa ⁽¹⁾
Rotation speed	2571	RPM ⁽¹⁾

(1) at optimal efficiency point

	Actual	Request 2013	Request 2015
Overall efficiency (η)	47,7	38,8	42,8
Efficiency grade	67	58	62
Installation category	A		
Efficiency category	static		
Variable speed drive	Yes		
Specific ratio	1,00		

Designed for regular application according ErP directive EU 2009/125/EC

Accessories

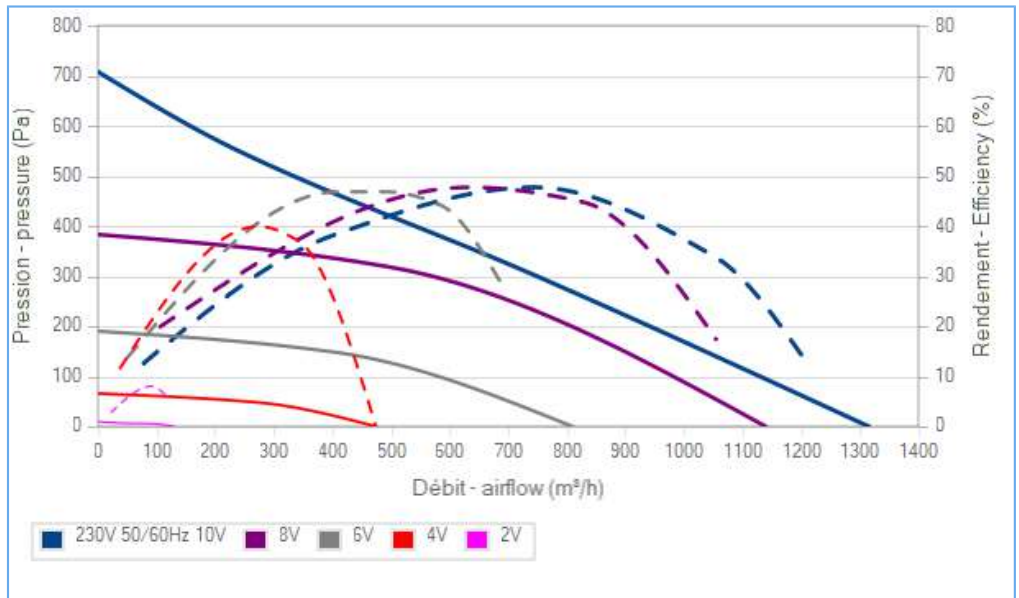
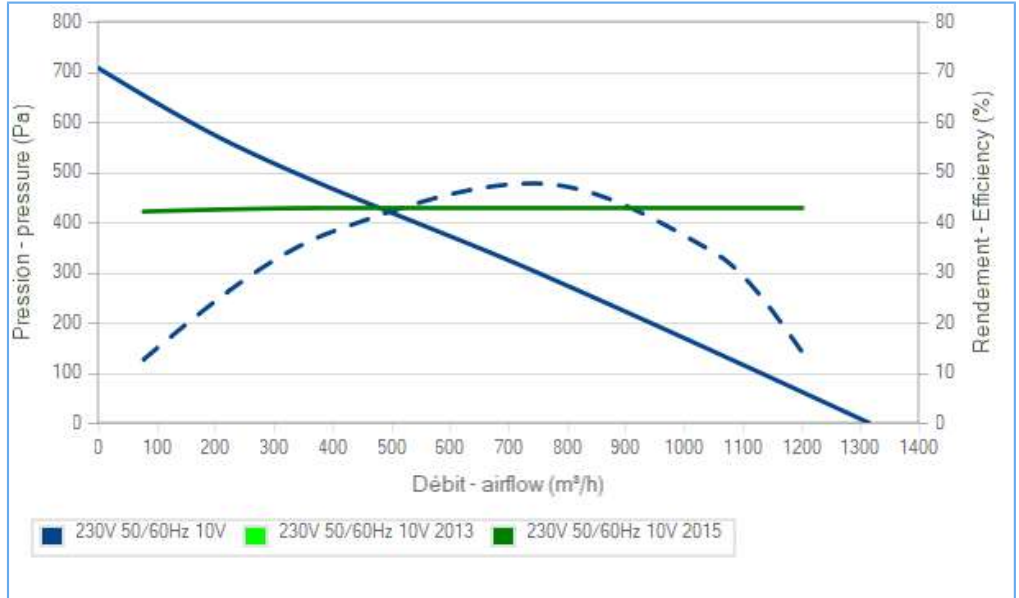
Measurement setup

16241

Documents

Manuel d'utilisation
www.ecofit.com/site/normes

Operating and recycling manual
www.ecofit.com/anglais/normes



La courbe de rendement intègre le facteur de compensation de charge partielle du règlement (UE) n°327/2011
 The efficiency curve includes part load compensation factor of regulation (EU) n°327/2011

CE IEC 60335-2-80:2002 + A1:2004 + IEC 60335-1:2010
 EN 60335-2-80:2003 + A1:2004 + A2:2009 + EN 60335-1:2012
 RT9192CE

Non contractual document. All specifications are subject to change without prior notice. Picture for information only.



RRMuG9 192x40R (120V) N50-A0-1



DATA SHEET

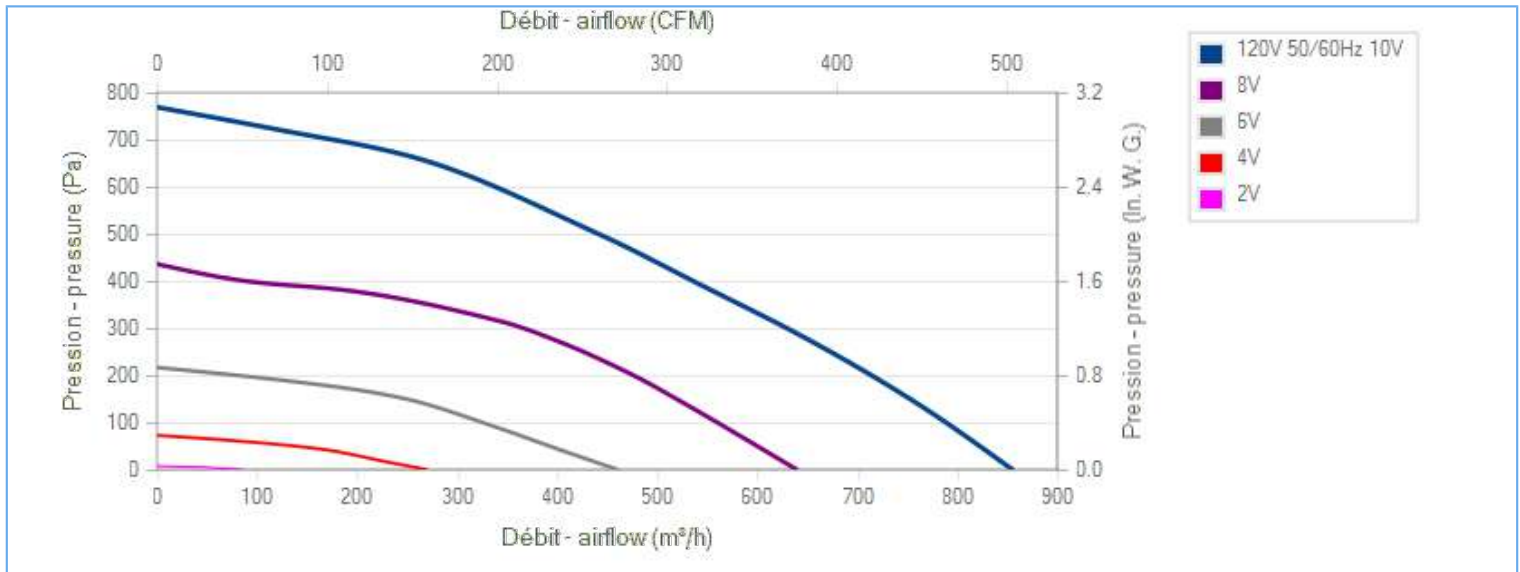
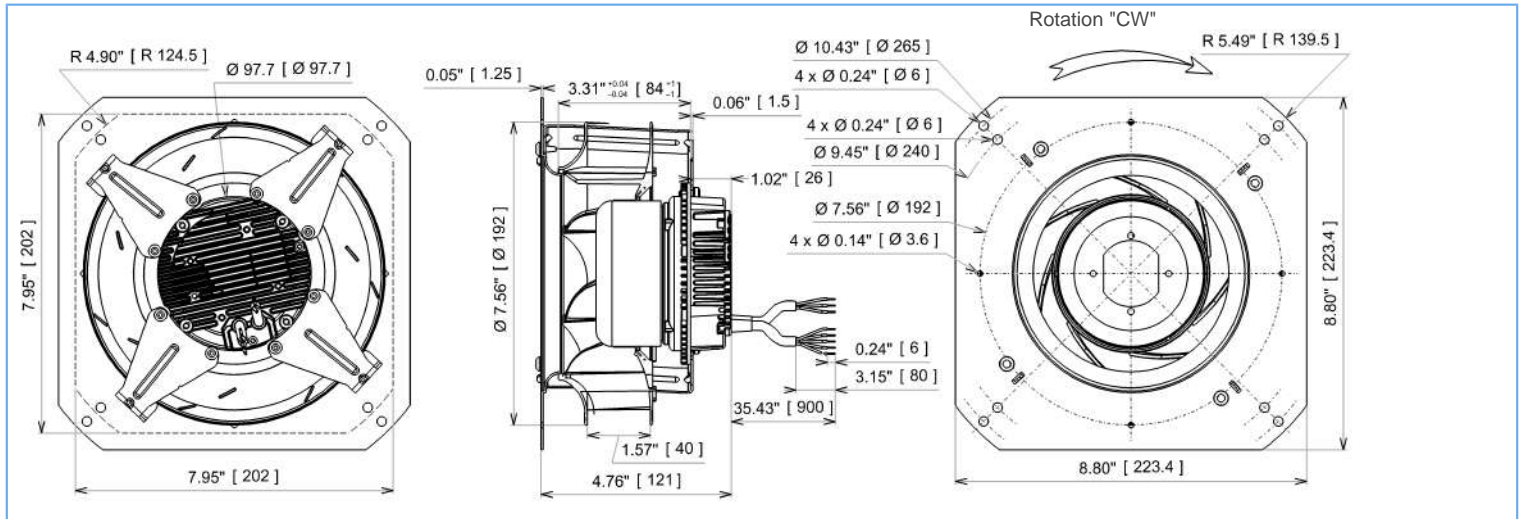
release. 0 - Revision 05-2017

Voltage	Frequency	Input Power	Input Current	Airflow	Rotation speed	Acoustic level	Direction rotation	Admissible Temperature
V	Hz	W	A	m ³ /h	RPM	dBA		Min/Max
120	50/60	136	2,02	855	3995	74	R	-25°C / +60°C
120	50/60			503 CFM				-13°F / 140°F

dBA : free blowing

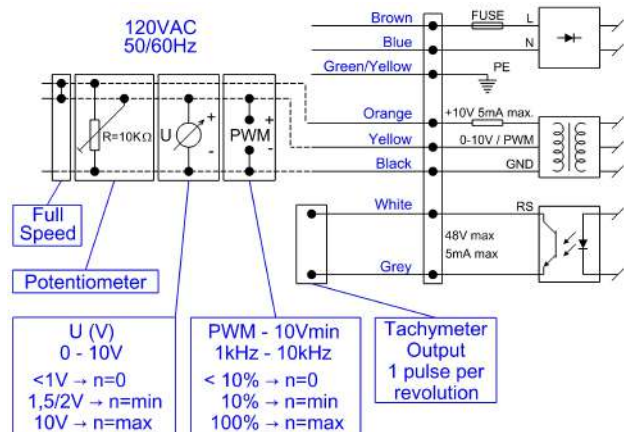
ErP 2013 OK

ErP 2015 OK



Description

- .Weight : 1,8 Kg
- .Ball bearing
- .Insulation Class F
- .IP4x may be IP44 according to EN60034-5 after checking the integration into the customer appliance
- .G2.5 balancing
- .Rotor : black paint
- .PA 6/6 UL 94 V-0 plastic impeller
- .Motor - UL Recognized component





RRMuG9 192x40R (120V) N50-A0-1



DATA SHEET

release. 0 - Revision 05-2017

Data in accordance to ErP directive

Voltage	120	V
Frequency	50	Hz
Power	0,150	kW ⁽¹⁾
Airflow	445	m ³ /h ⁽¹⁾
Pressure	496	Pa ⁽¹⁾
Rotation speed	3816	RPM ⁽¹⁾

(1) at optimal efficiency point

	Actual	Request 2013	Request 2015
Overall efficiency (η)	46,7	38,9	42,9
Efficiency grade	66	58	62
Installation category	A		
Efficiency category	static		
Variable speed drive	Yes		
Specific ratio	1,00		

Designed for regular application according ErP directive EU 2009/125/EC

Accessories

21181

Measurement setup

16239

Documents

Manuel d'utilisation

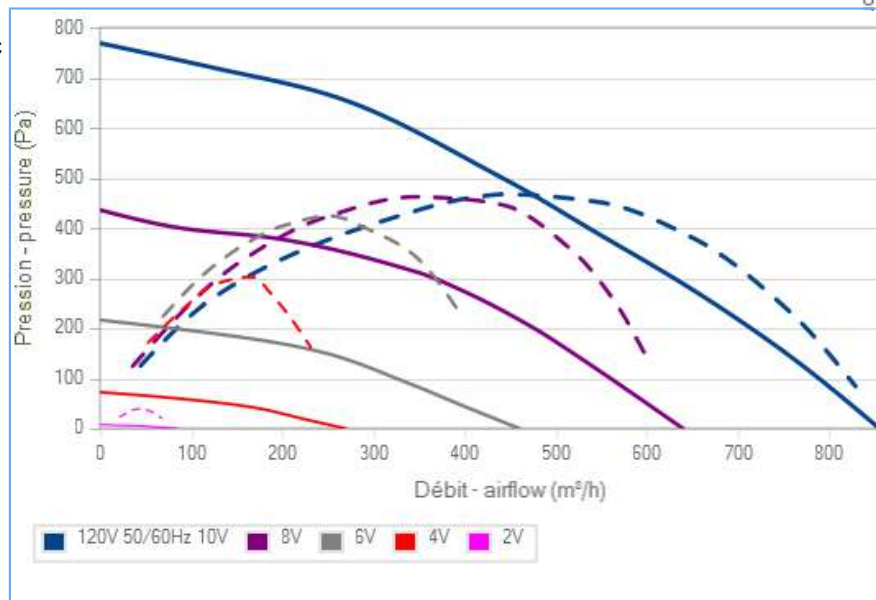
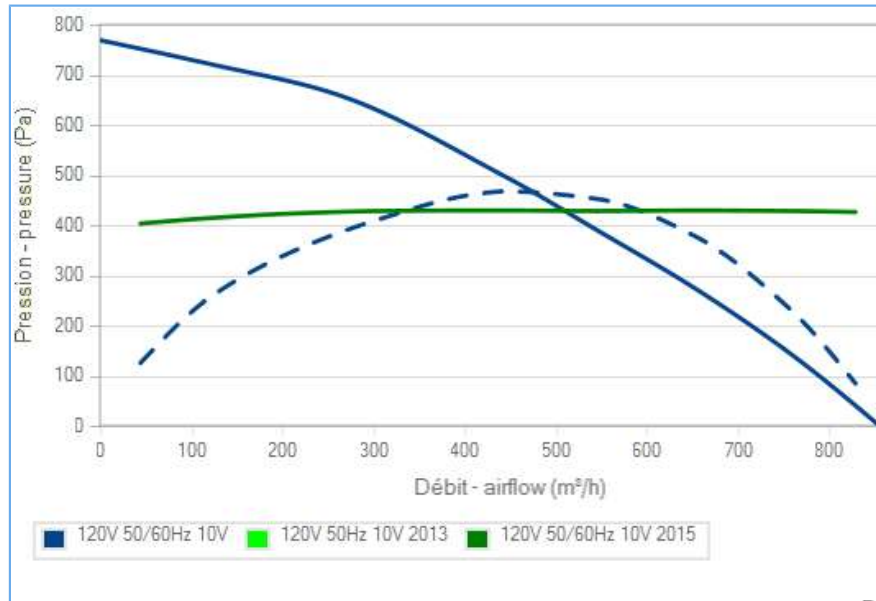
www.ecofit.com/site/normes

Operating and recycling manual

www.ecofit.com/anglais/normes



UL1004-1, 2nd edition "rotating electrical machine"
 UL1004-3, 1st edition "thermally protected motors"
 UL1004-7, 2nd edition "electronically protected motors"
 C22.2 N°100-04, 6th edition "motors and generator"
 C22.2 N°77-95, 7th edition "motors with inherent overheating protection"
 UL Motor Model : RT9191
 File Number : E326930 XDNW2,8



La courbe de rendement intègre le facteur de compensation de charge partielle du règlement (UE) n°327/2011
 The efficiency curve includes part load compensation factor of regulation (EU) n°327/2011



RRMuG9 192x40R

N50-A6-1



DATA SHEET

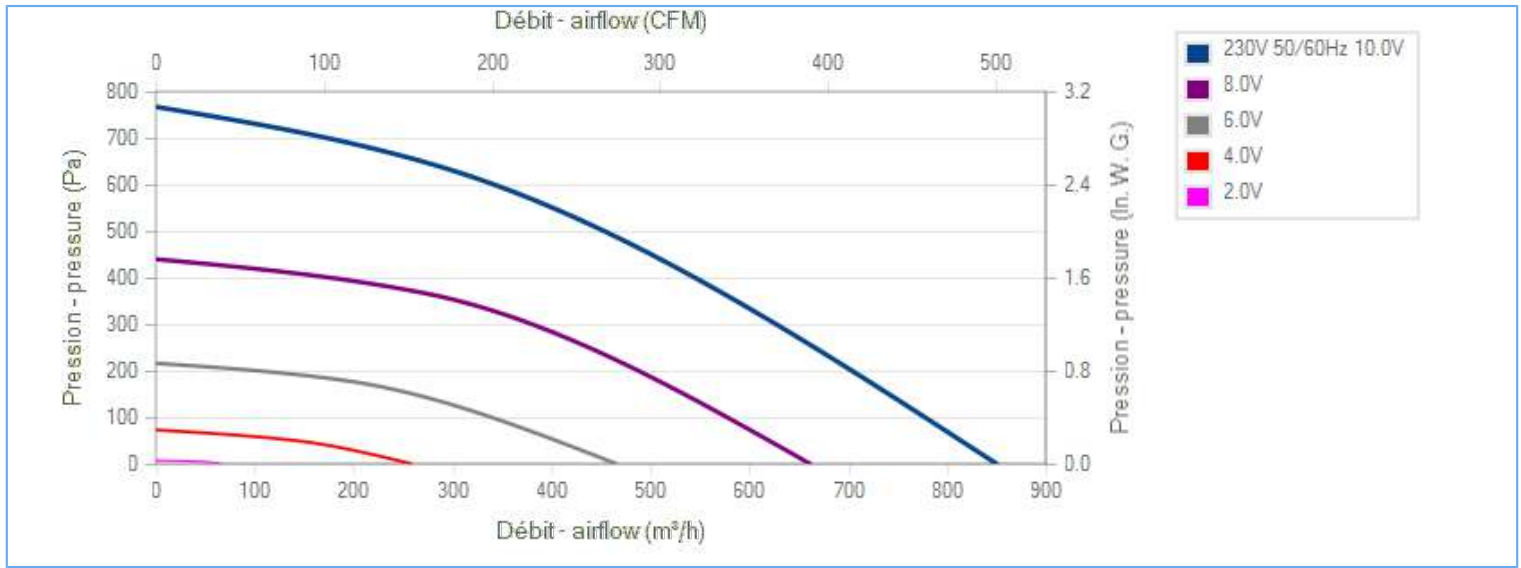
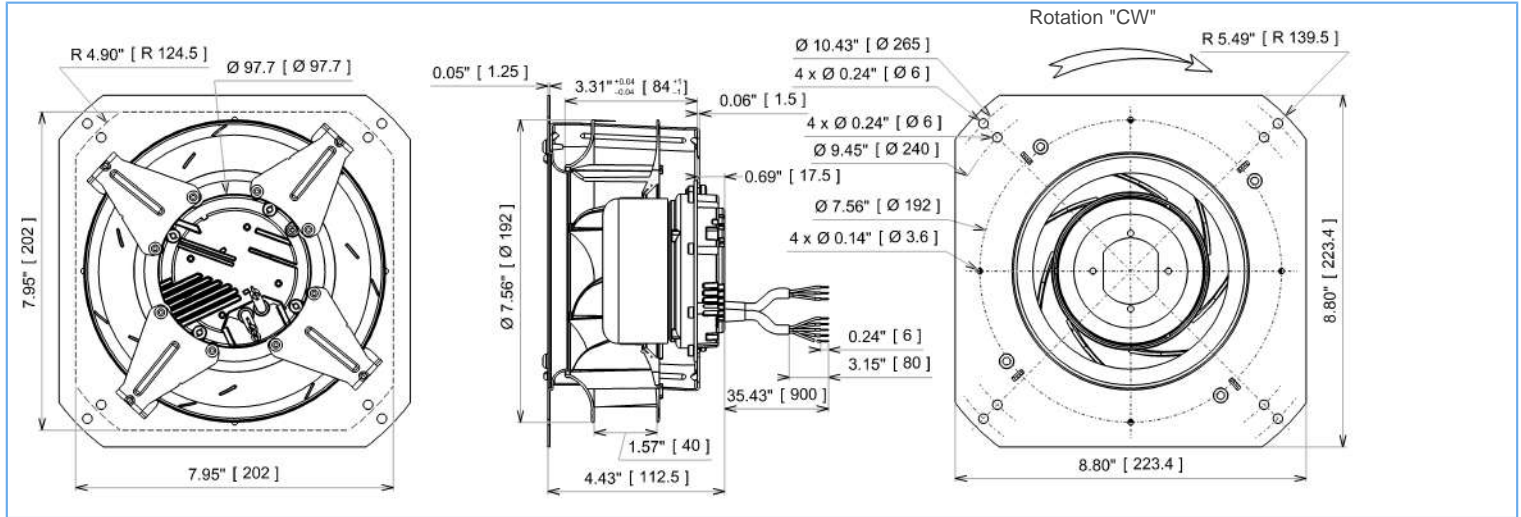
release. a - Revision 07-2015

Voltage	Frequency	Input Power	Input Current	Airflow	Rotation speed	Acoustic level	Direction rotation	Admissible Temperature
V	Hz	W	A	m ³ /h	RPM	dBA	↻	Min/Max
230	50/60	136	1,07	850	4020	73	R	-20°C / +50°C
230	50/60			500 CFM				-4°F / 122°F

dBA : free blowing

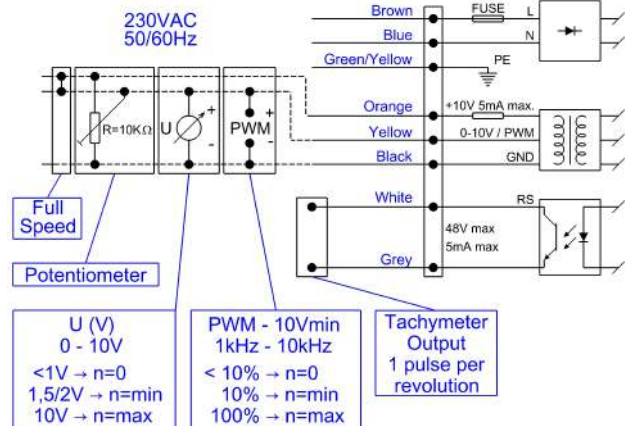
ErP 2013 **OK**

ErP 2015 **OK**



Description

- .Weight : 1,5 Kg
- .Ball bearing
- .Insulation Class F
- .IP4x may be IP44 according to EN60034-5 after checking the integration into the customer appliance
- .G2.5 balancing
- .Rotor : black paint
- .PP plastic impeller
- .Motor - UL Recognized component





RRMuG9 192x40R

N50-A6-1



DATA SHEET

release. a - Revision 07-2015

Data in accordance to ErP directive

Voltage	230	V
Frequency	50	Hz
Power	0,147	kW ⁽¹⁾
Airflow	438	m ³ /h ⁽¹⁾
Pressure	498	Pa ⁽¹⁾
Rotation speed	3782	RPM ⁽¹⁾

(1) at optimal efficiency point

	Actual	Request 2013	Request 2015
Overall efficiency (η)	47,1	38,8	42,8
Efficiency grade	66	58	62
Installation category	A		
Efficiency category	static		
Variable speed drive	Yes		
Specific ratio	1,00		

Designed for regular application according ErP directive EU 2009/125/EC

Accessories

21181

Measurement setup

16239

Documents

Manuel d'utilisation

www.ecofit.com/site/normes

Operating and recycling manual

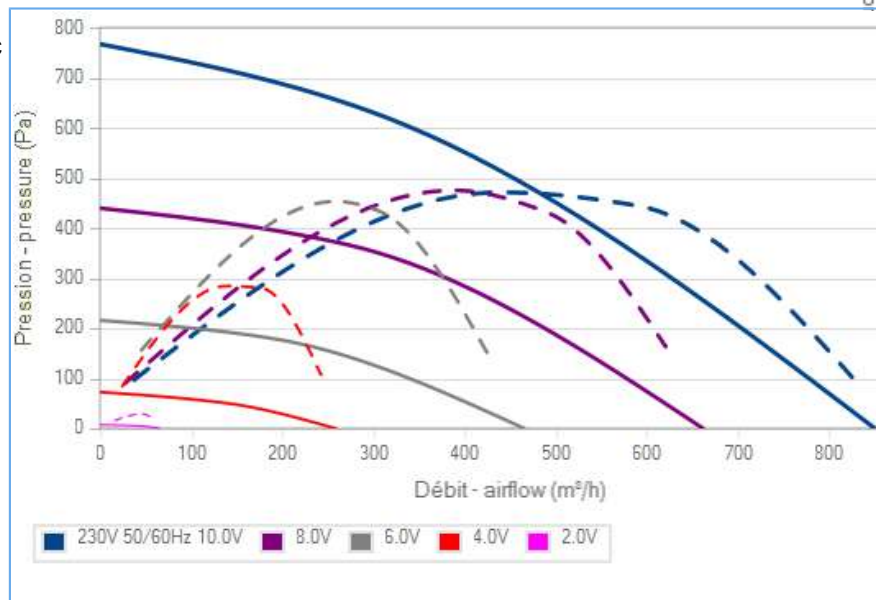
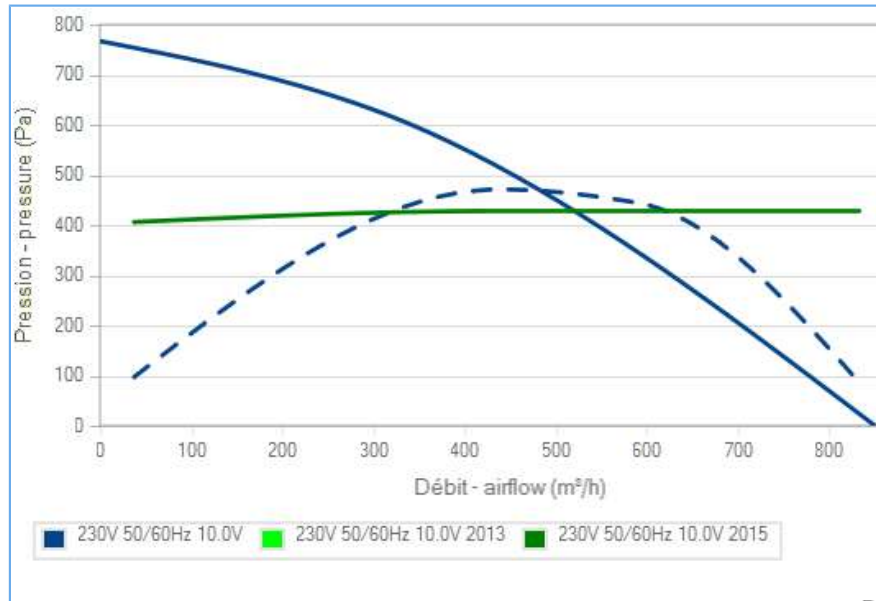
www.ecofit.com/anglais/normes



IEC 60335-2-80:2002 + A1:2004 +
IEC 60335-1:2010
EN 60335-2-80:2003 + A1:2004 + A2:2009 +
EN 60335-1:2012
RT9192CE



UL1004-1, 2nd edition "rotating electrical machine"
UL1004-3, 1st edition "thermally protected motors"
UL1004-7, 2nd edition "electronically protected motors"
C22.2 N°100-04, 6th edition "motors and generator"
C22.2 N°77-95, 7th edition "motors with inherent overheating protection"
UL Motor Model : RT9192
File Number : E326930.XDNW2,8



La courbe de rendement intègre le facteur de compensation de charge partielle du règlement (UE) n°327/2011
The efficiency curve includes part load compensation factor of regulation (EU) n°327/2011



RRMuG9 220x45R

N50-A7-1



DATA SHEET

release. c - Revision 02-2018

Voltage	Frequency	Input Power	Input Current	Airflow	Rotation speed	Acoustic level	Direction rotation	Admissible Temperature
V	Hz	W	A	m ³ /h	RPM	dBA	↻	Min/Max
230	50/60	150	1,2	1230	3525	73	R	-20°C / +50°C
230	50/60			723 CFM				-4°F / 122°F

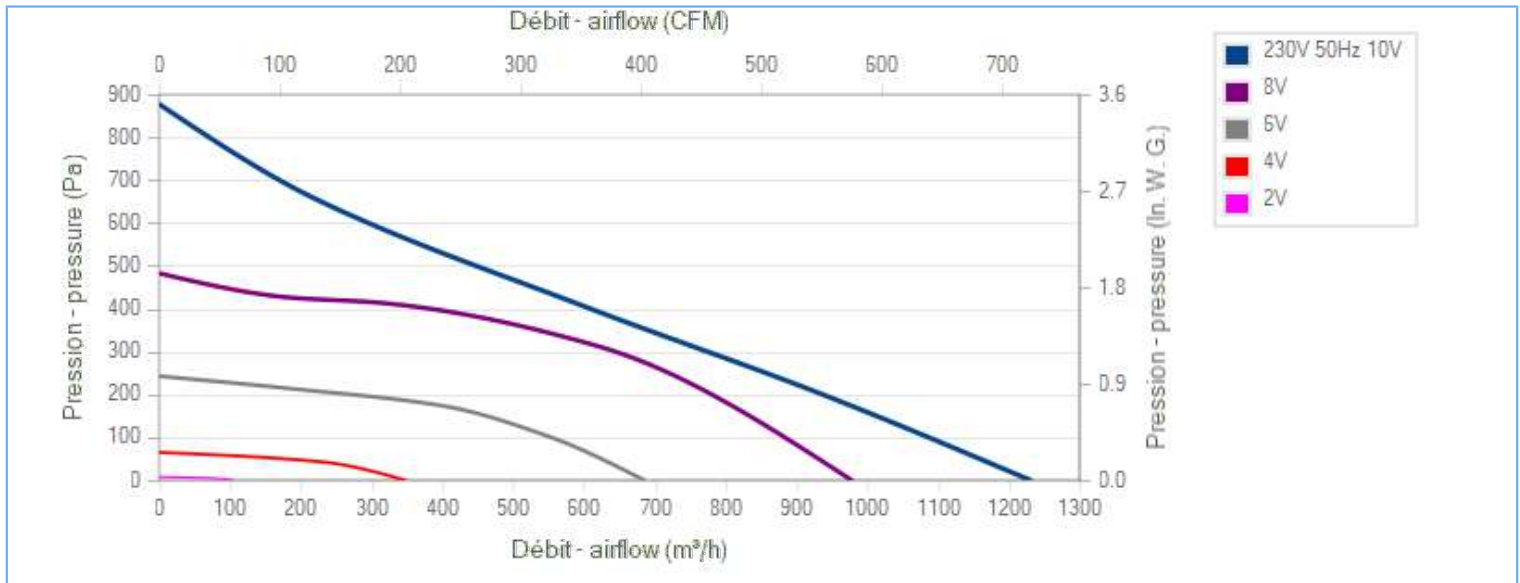
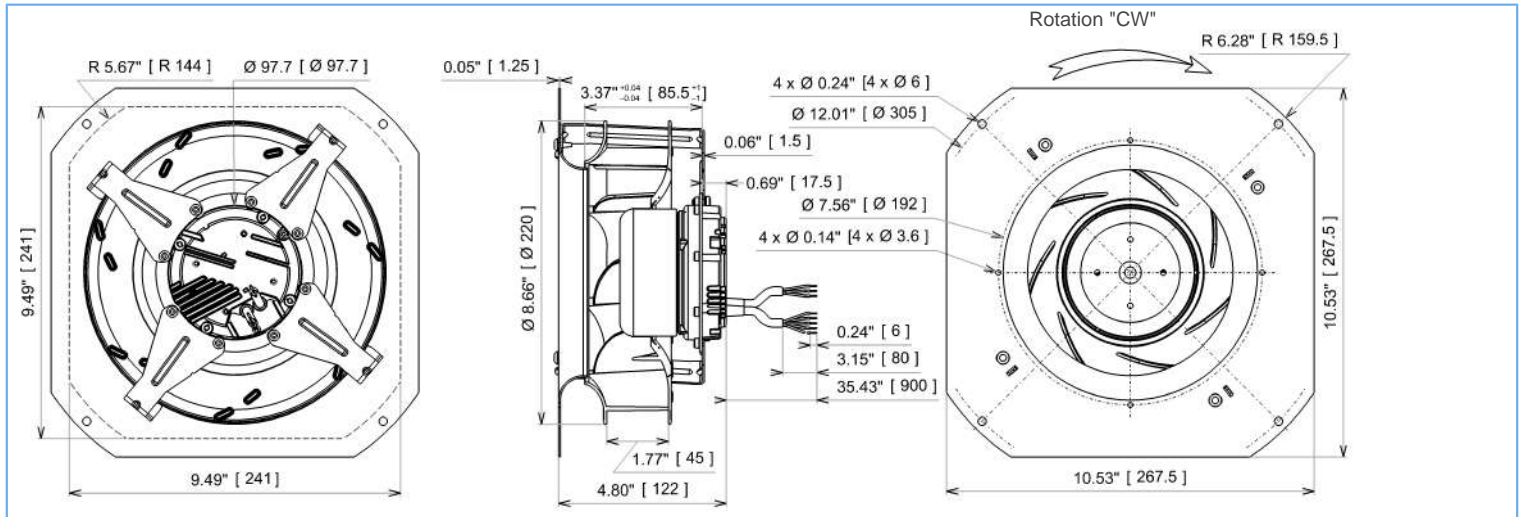
dBA : free blowing

ErP 2013

OK

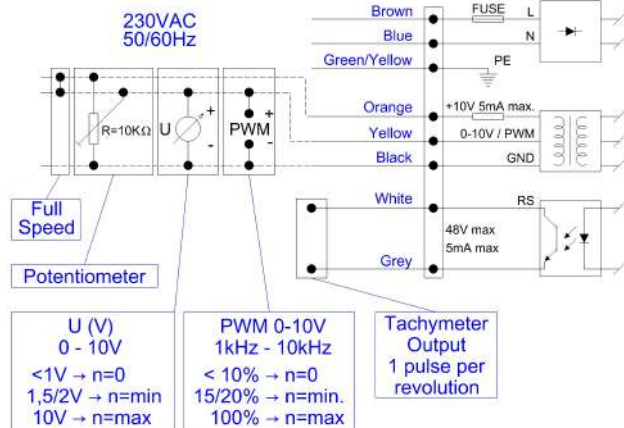
ErP 2015

OK



Description

- .Weight : 2,8 Kg
- .Ball bearing
- .Insulation Class F
- .IP4x may be IP44 according to EN60034-5 after checking the integration into the customer appliance
- .G2.5 balancing
- .Rotor : black paint
- .PA 6/6 UL 94 V-0 plastic impeller
- .Motor - UL Recognized component





RRMuG9 220x45R

N50-A7-1



DATA SHEET

release. c - Revision 02-2018

Data in accordance to ErP directive

Voltage	230	V
Frequency	50	Hz
Power	0,150	kW ⁽¹⁾
Airflow	601	m ³ /h ⁽¹⁾
Pressure	405	Pa ⁽¹⁾
Rotation speed	3058	RPM ⁽¹⁾

(1) at optimal efficiency point

	Actual	Request 2013	Request 2015
Overall efficiency (η)	51,6	38,8	42,8
Efficiency grade	71	58	62
Installation category	A		
Efficiency category	static		
Variable speed drive	Yes		
Specific ratio	1,00		

Designed for regular application according ErP directive EU 2009/125/EC

Accessories

Measurement setup

16240

Documents

Manuel d'utilisation
www.ecofit.com/site/normes

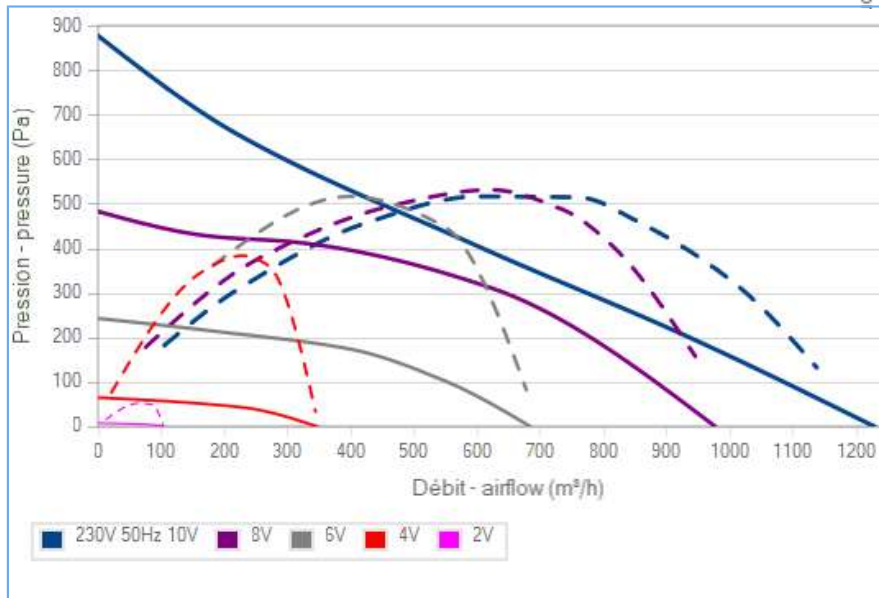
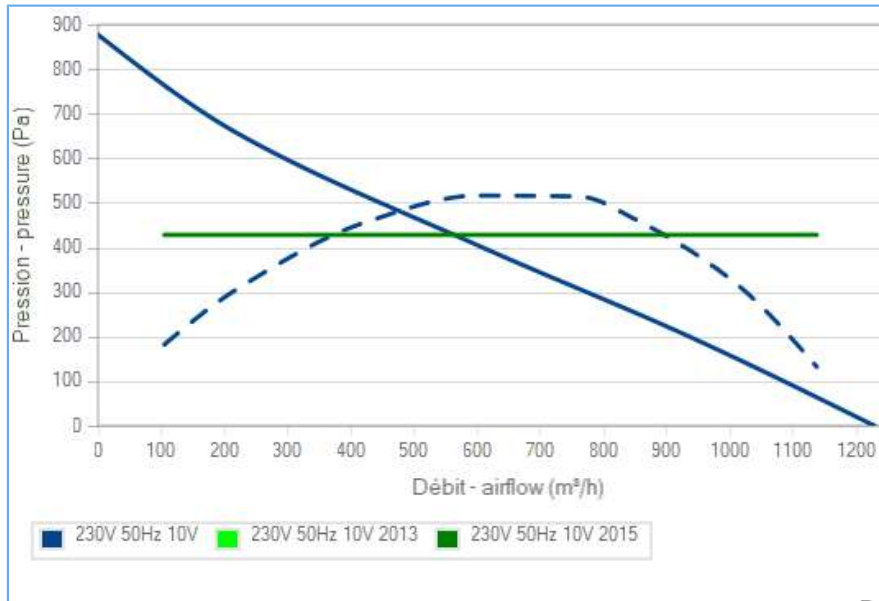
Operating and recycling manual
www.ecofit.com/anglais/normes



IEC 60335-2-80:2002 + A1:2004 +
 IEC 60335-1:2010
 EN 60335-2-80:2003 + A1:2004 + A2:2009 +
 EN 60335-1:2012
 RT9192CE



UL1004-1, 2nd edition "rotating electrical machine"
 UL1004-3, 1st edition "thermally protected motors"
 UL1004-7, 2nd edition "electronically protected motors"
 C22.2 N°100-04, 6th edition "motors and generator"
 C22.2 N°77-95, 7th edition "motors with inherent overheating protection"
 UL Motor Model : RT9192
 File Number : E326930 XDNW2,8



La courbe de rendement intègre le facteur de compensation de charge partielle du règlement (UE) n°327/2011
 The efficiency curve includes part load compensation factor of regulation (EU) n°327/2011



RREV8 250x50R

P38-D0-1

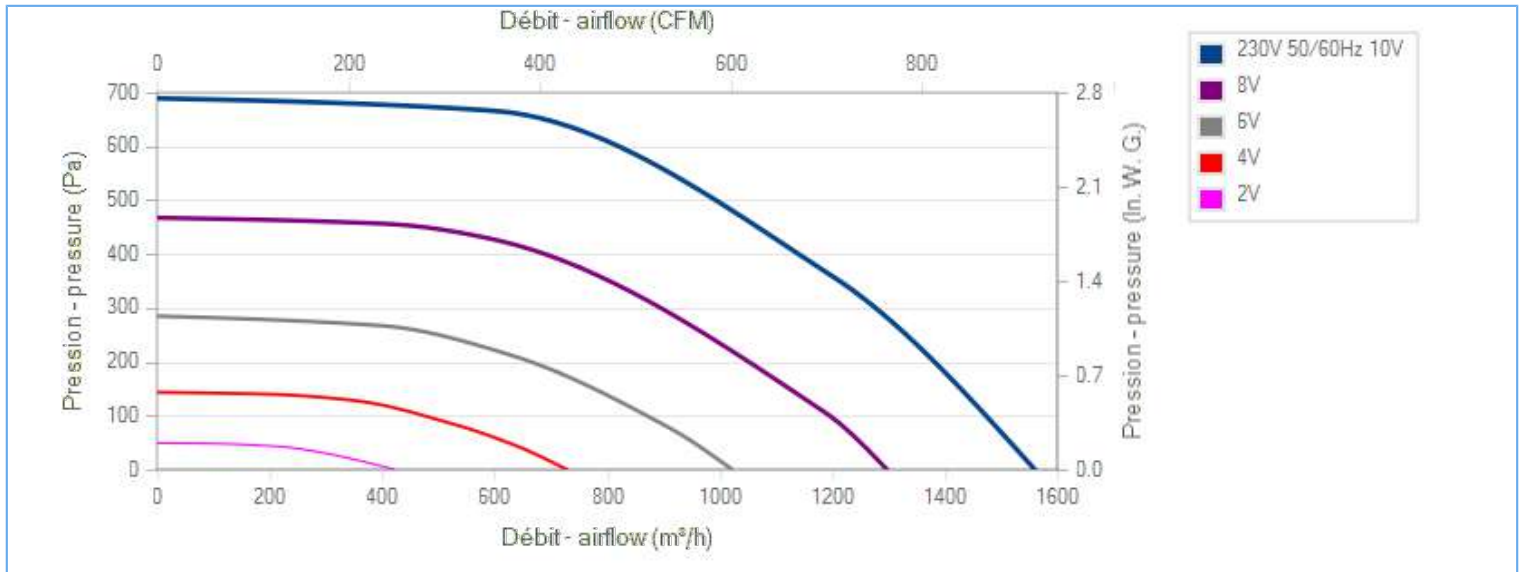
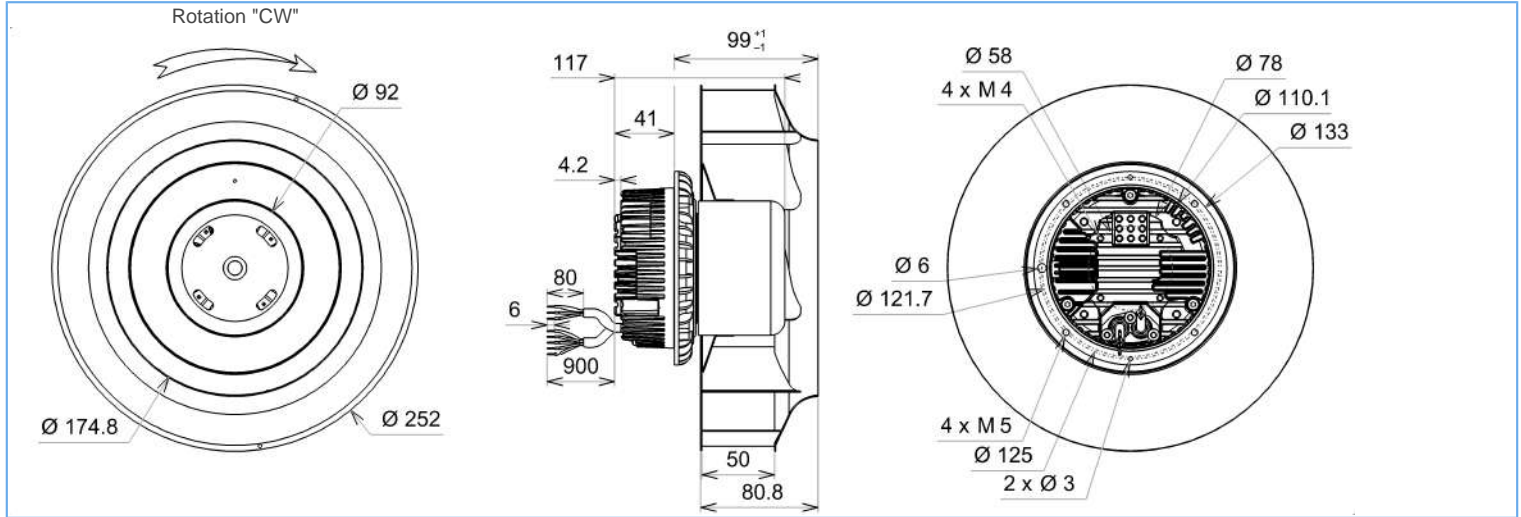


DATA SHEET

release. a - Revision 09-2017

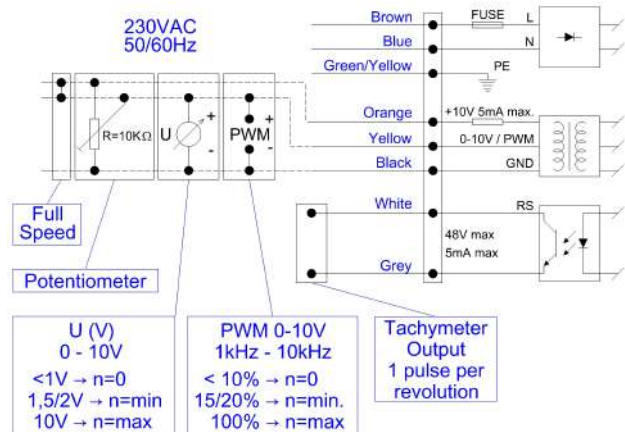
Voltage	Frequency	Input Power	Input Current	Airflow	Rotation speed	Direction rotation	Admissible Temperature
V	Hz	W	A	m ³ /h	RPM		Min/Max
230	50/60	187	0,84	1560	3015	R	-20°C / +60°C
230	50/60			918 CFM			-4°F / 140°F

ErP 2013 OK ErP 2015 OK



Description

- .Weight : 3,1 Kg
- .Ball bearing
- .Class F, thermally protected
- .IP54 protection depending on installation and position as per EN60034-5
- .G2.5 balancing
- .Rotor electrolytic galvanizing protection
- .Galvanized steel impeller





RREV8 250x50R

P38-D0-1



DATA SHEET

release. a - Revision 09-2017

Data in accordance to ErP directive

Voltage	230	V
Frequency	50	Hz
Power	0,280	kW ⁽¹⁾
Airflow	878	m ³ /h ⁽¹⁾
Pressure	569	Pa ⁽¹⁾
Rotation speed	3015	RPM ⁽¹⁾

(1) at optimal efficiency point

	Actual	Request 2013	Request 2015
Overall efficiency (η)	55,7	41,7	45,7
Efficiency grade	72	58	62
Installation category	A		
Efficiency category	static		
Variable speed drive	Yes		
Specific ratio	1,00		

Designed for regular application according ErP directive EU 2009/125/EC

Accessories

16234

21360

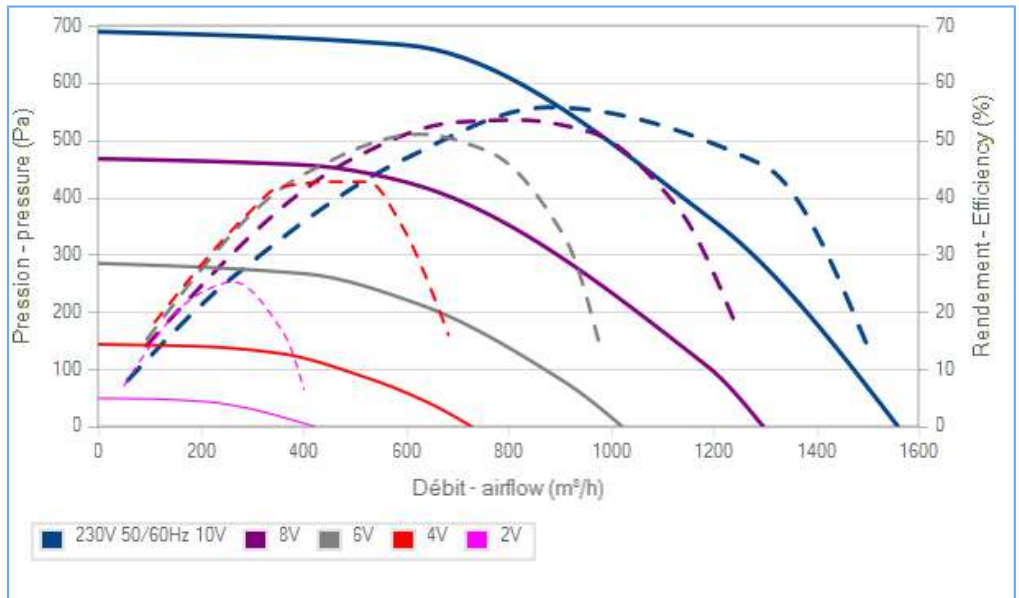
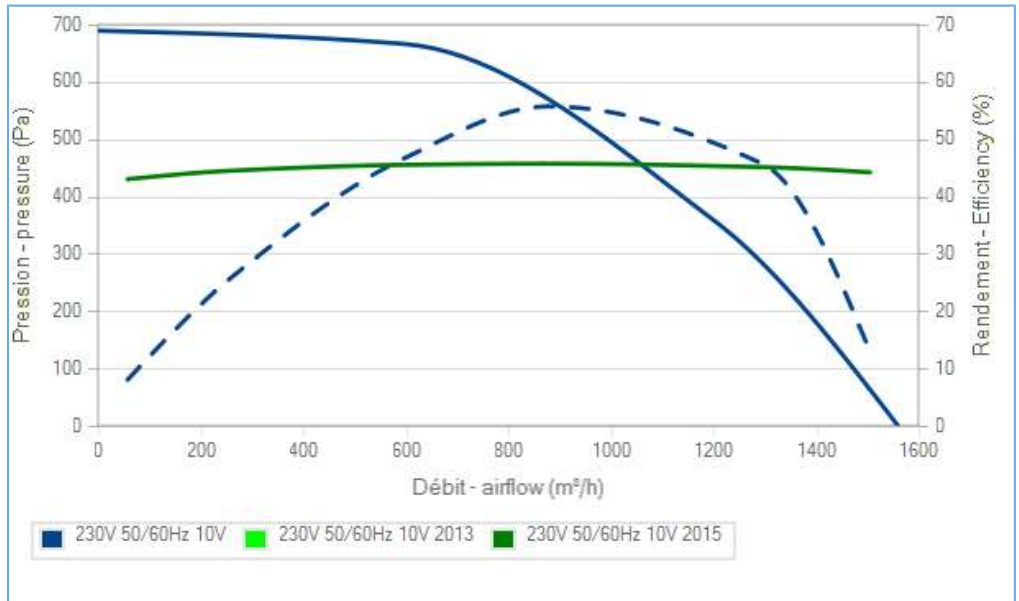
Measurement setup

16234

Documents

Manuel d'utilisation
www.ecofit.com/site/normes

Operating and recycling manual
www.ecofit.com/anglais/normes



La courbe de rendement intègre le facteur de compensation de charge partielle du règlement (UE) n°327/2011
 The efficiency curve includes part load compensation factor of regulation (EU) n°327/2011



Non contractual document. All specifications are subject to change without prior notice. Picture for information only.



RREV8 280x50R

P38-D1-1



DATA SHEET

release. a - Revision 09-2017

Voltage	Frequency	Input Power	Input Current	Airflow	Rotation speed	Acoustic level	Direction rotation	Admissible Temperature
V	Hz	W	A	m ³ /h	RPM	dBA	↻	Min/Max
230	50/60	222	0,99	2035	2955		R	-20°C / +60°C
230	50/60			1197 CFM				-4°F / 140°F

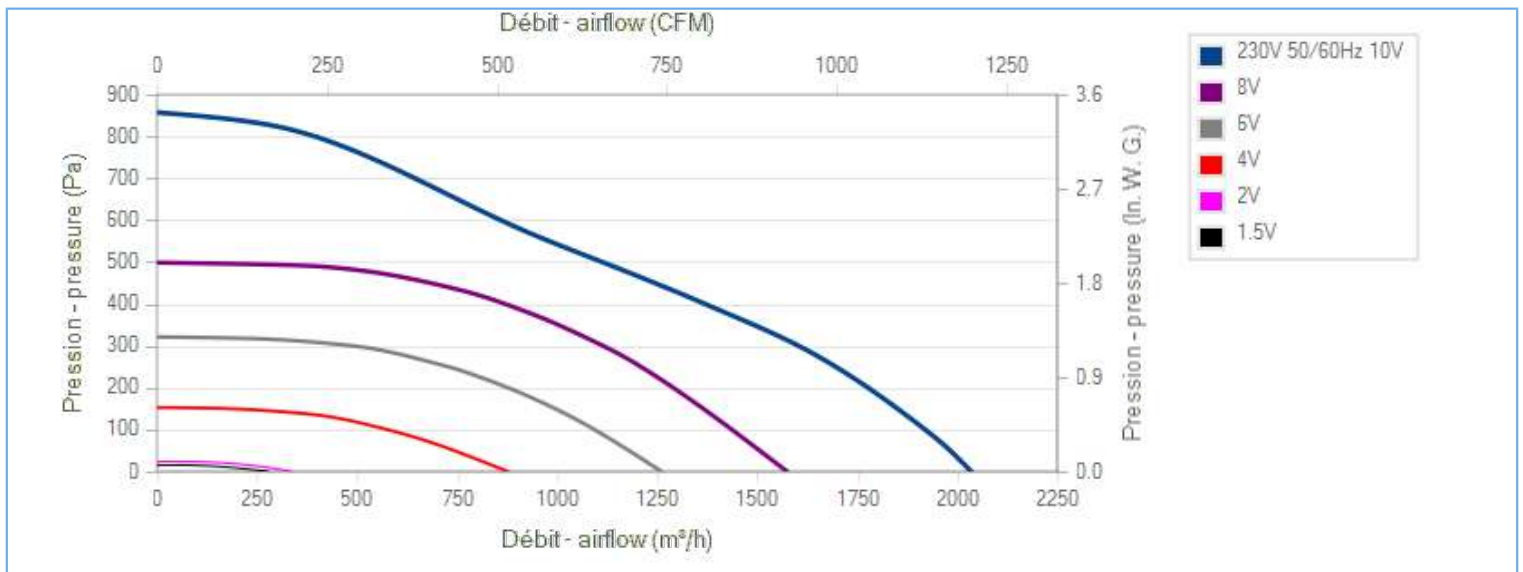
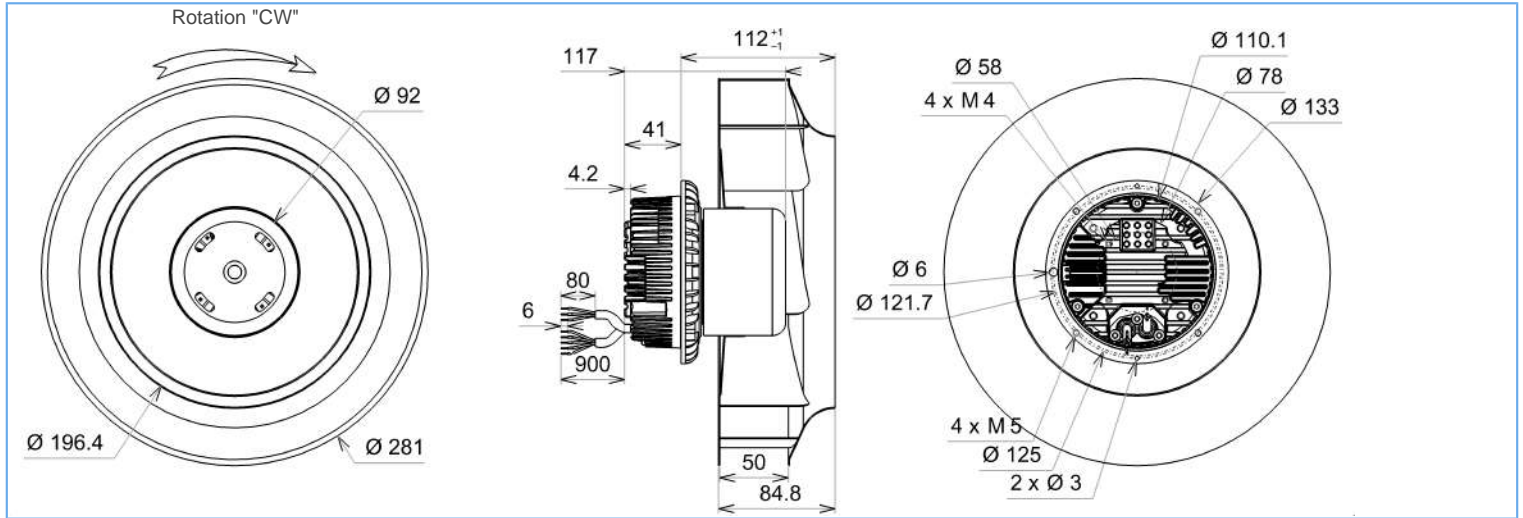


dBA : free blowing

ErP 2013

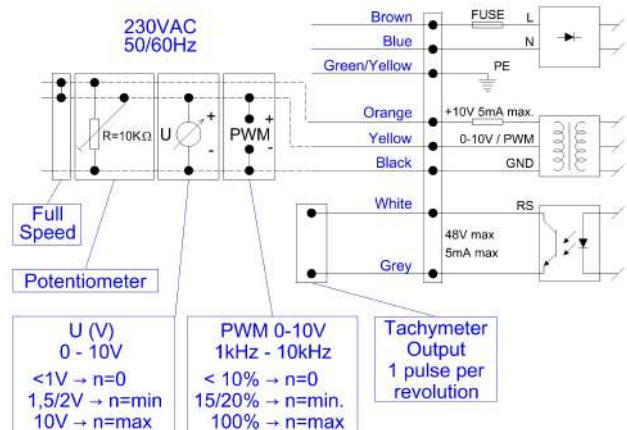


ErP 2015



Description

- .Weight : 3,1 Kg
- .Ball bearing
- .Insulation Class F
- .IP54 protection depending on installation and position as per EN60034-5
- .G2.5 balancing
- .Rotor electrolytic galvanizing protection
- .Galvanized steel impeller



Non contractual document. All specifications are subject to change without prior notice. Picture for information only.



RREV8 280x50R

P38-D1-1



DATA SHEET

release. a - Revision 09-2017

Data in accordance to ErP directive

Voltage	230	V
Frequency	50	Hz
Power	0,300	kW ⁽¹⁾
Airflow	1182	m ³ /h ⁽¹⁾
Pressure	473	Pa ⁽¹⁾
Rotation speed	2661	RPM ⁽¹⁾

(1) at optimal efficiency point

	Actual	Request 2013	Request 2015
Overall efficiency (η)	58,1	42	46
Efficiency grade	74	58	62
Installation category	A		
Efficiency category	static		
Variable speed drive	Yes		
Specific ratio	1,00		

Designed for regular application according ErP directive EU 2009/125/EC

Accessories

- 16254
- 21360

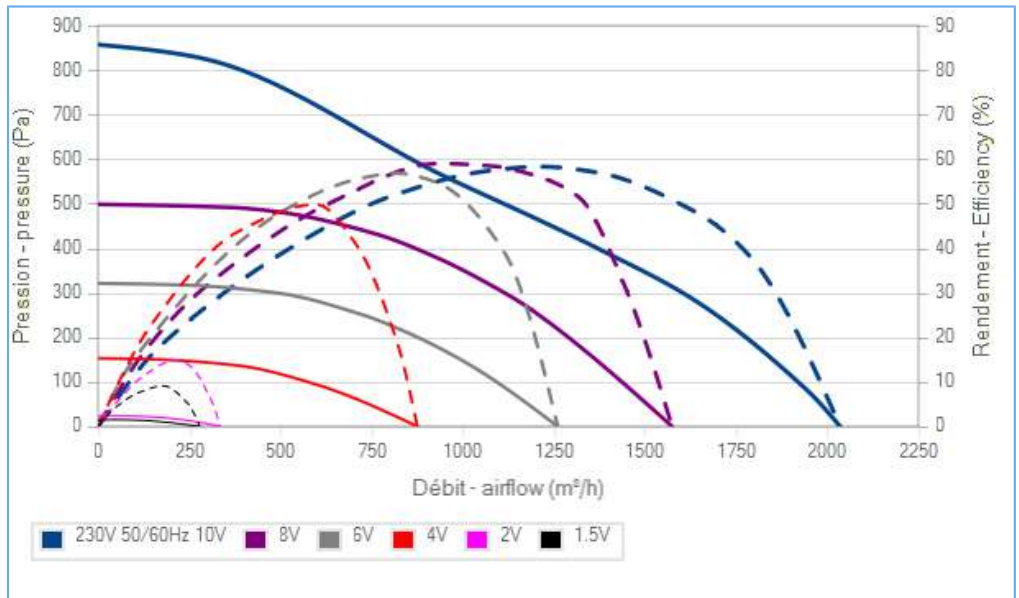
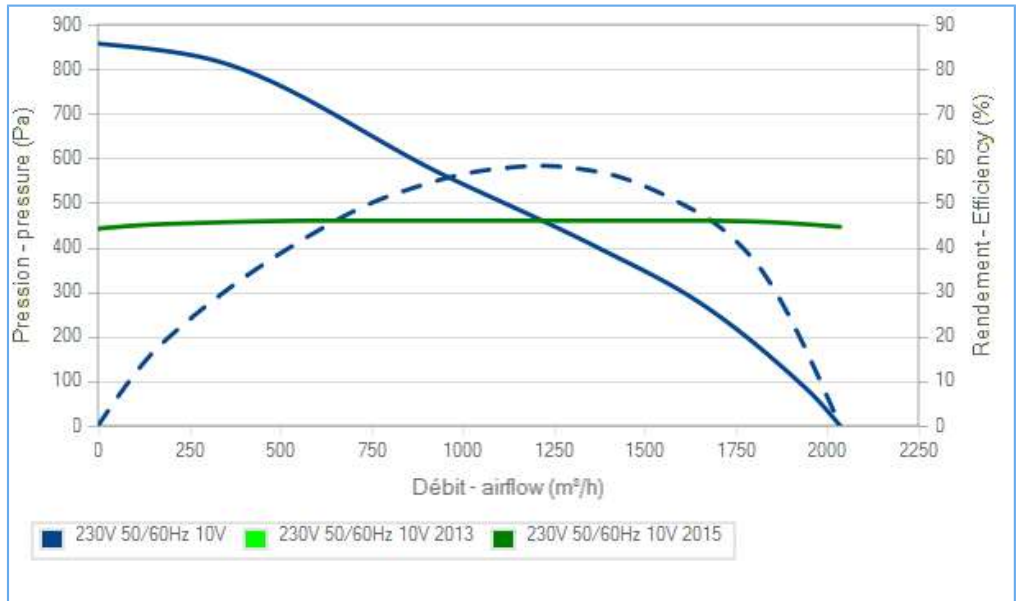
Measurement setup

ED11

Documents

Manuel d'utilisation
www.ecofit.com/site/normes

Operating and recycling manual
www.ecofit.com/anglais/normes



La courbe de rendement intègre le facteur de compensation de charge partielle du règlement (UE) n°327/2011
 The efficiency curve includes part load compensation factor of regulation (EU) n°327/2011

Non contractual document. All specifications are subject to change without prior notice. Picture for information only.





RREV8 280x80R

P38-D2-1

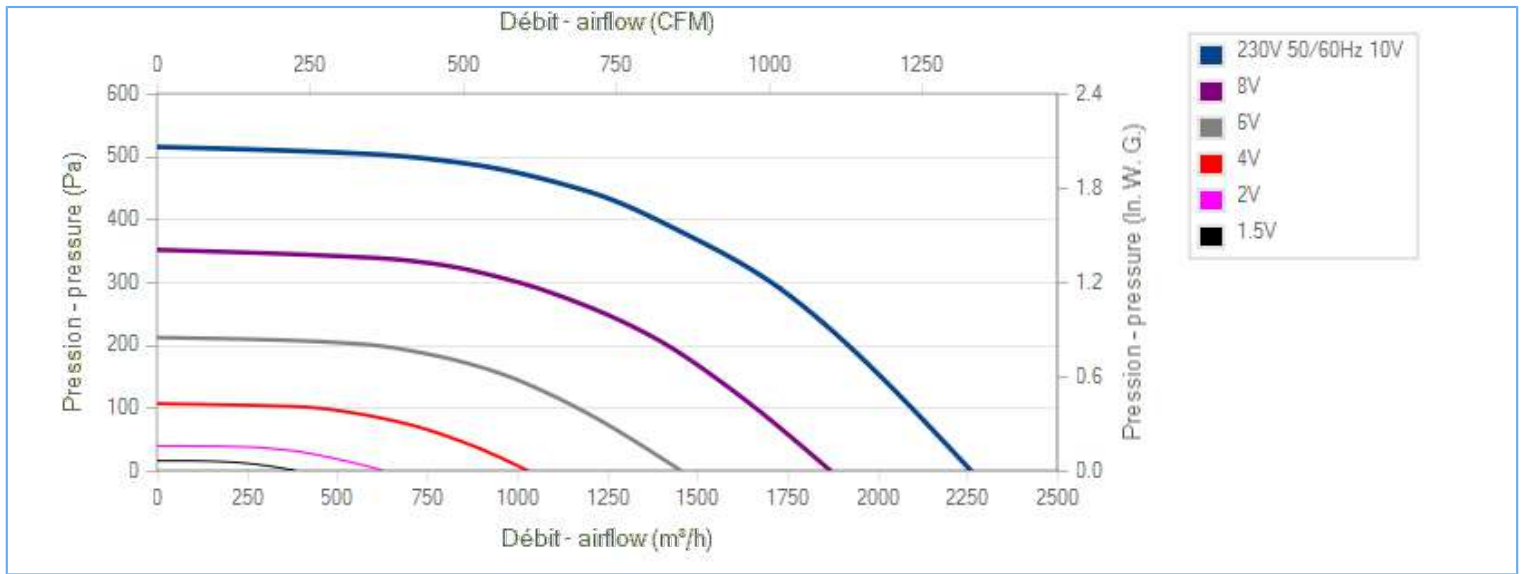
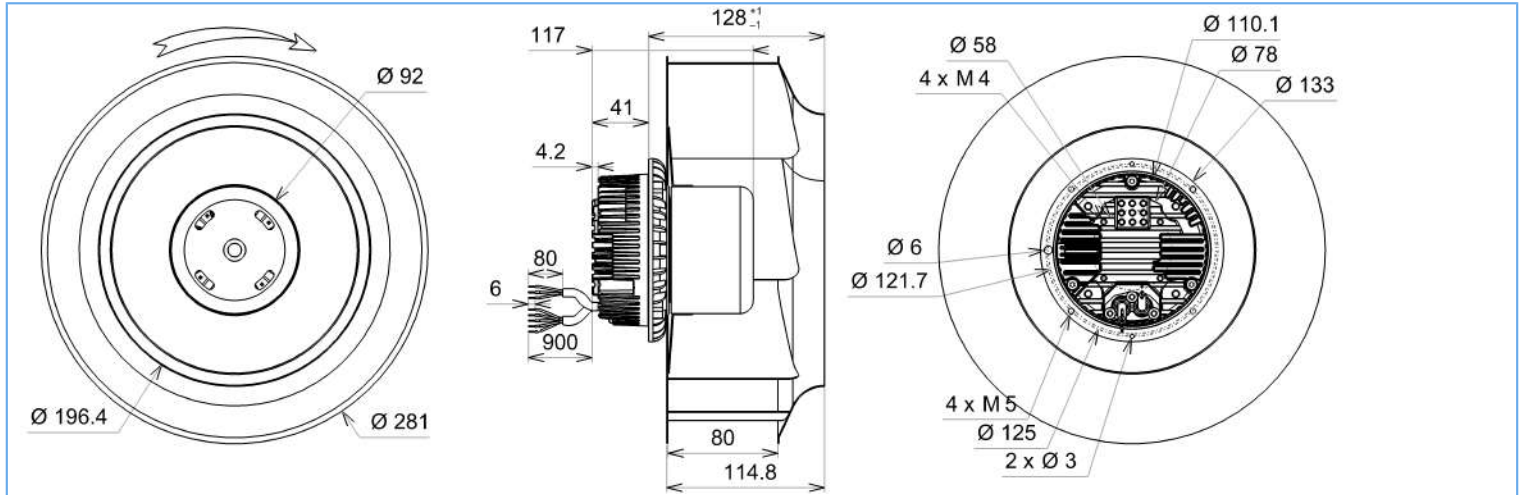


DATA SHEET

release. b - Revision 07-2018

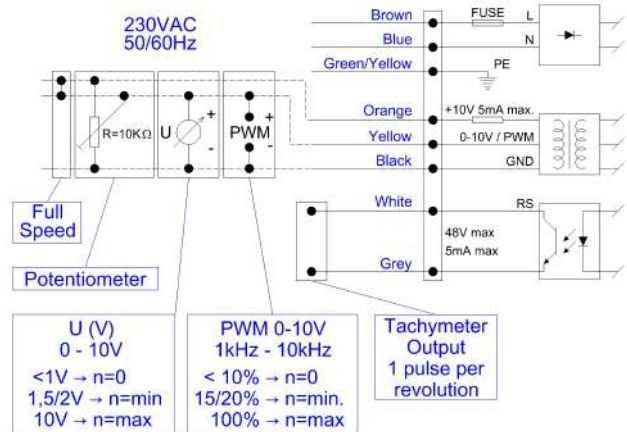
Voltage	Frequency	Input Power	Input Current	Airflow	Rotation speed	Direction rotation	Admissible Temperature
V	Hz	W	A	m ³ /h	RPM		Min/Max
230	50/60	170	0,77	2260	2305	R	-20°C / +60°C
230	50/60			1330 CFM			-4°F / 140°F

ErP 2013 OK ErP 2015 OK



Description

- .Weight : 3,3 Kg
- .Ball bearing
- .Insulation Class F
- .IP54 protection depending on installation and position as per EN60034-5
- .G2.5 balancing
- .Rotor electrolytic galvanizing protection
- .Galvanized steel impeller



Non contractual document. All specifications are subject to change without prior notice. Picture for information only.



RREV8 280x80R

P38-D2-1



DATA SHEET

release. b - Revision 07-2018

Data in accordance to ErP directive

Voltage	230	V
Frequency	50	Hz
Power	0,285	kW ⁽¹⁾
Airflow	1481	m ³ /h ⁽¹⁾
Pressure	373	Pa ⁽¹⁾
Rotation speed	2304	RPM ⁽¹⁾

(1) at optimal efficiency point

	Actual	Request 2013	Request 2015
Overall efficiency (η)	60,5	41,8	45,8
Efficiency grade	77	58	62
Installation category	A		
Efficiency category	static		
Variable speed drive	Yes		
Specific ratio	1,00		

Designed for regular application according ErP directive EU 2009/125/EC

Accessories

- 16254
- 21360

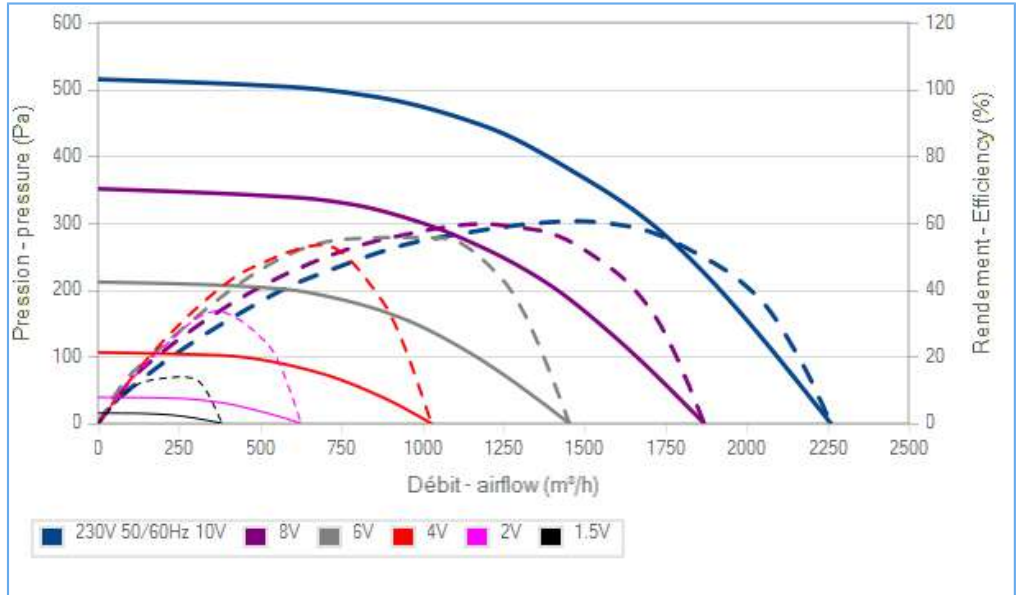
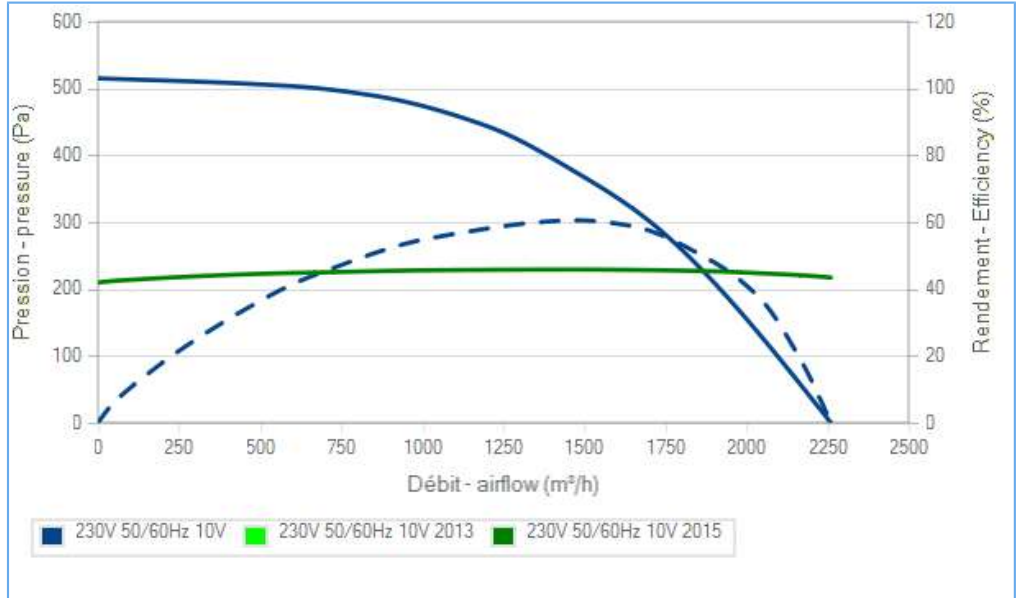
Measurement setup

ED11

Documents

Manuel d'utilisation
www.ecofit.com/site/normes

Operating and recycling manual
www.ecofit.com/anglais/normes



La courbe de rendement intègre le facteur de compensation de charge partielle du règlement (UE) n°327/2011
 The efficiency curve includes part load compensation factor of regulation (EU) n°327/2011



Non contractual document. All specifications are subject to change without prior notice. Picture for information only.



RREV8 337x88R

P38-D3-1



DATA SHEET

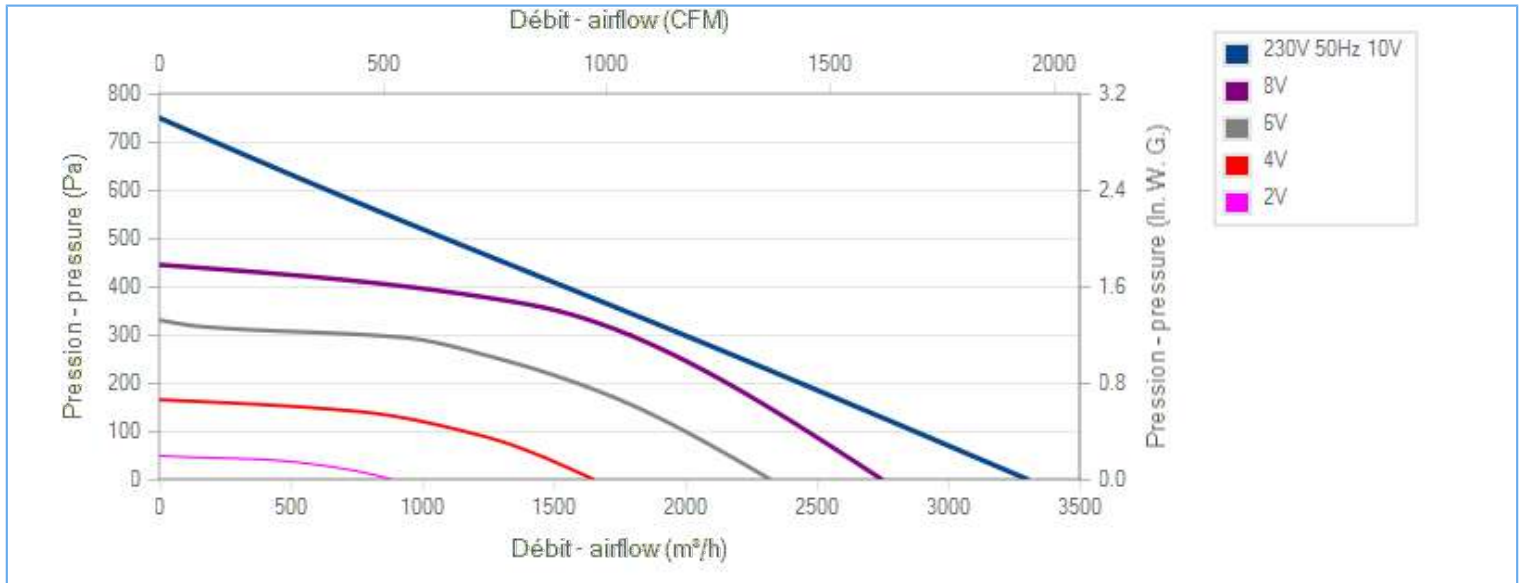
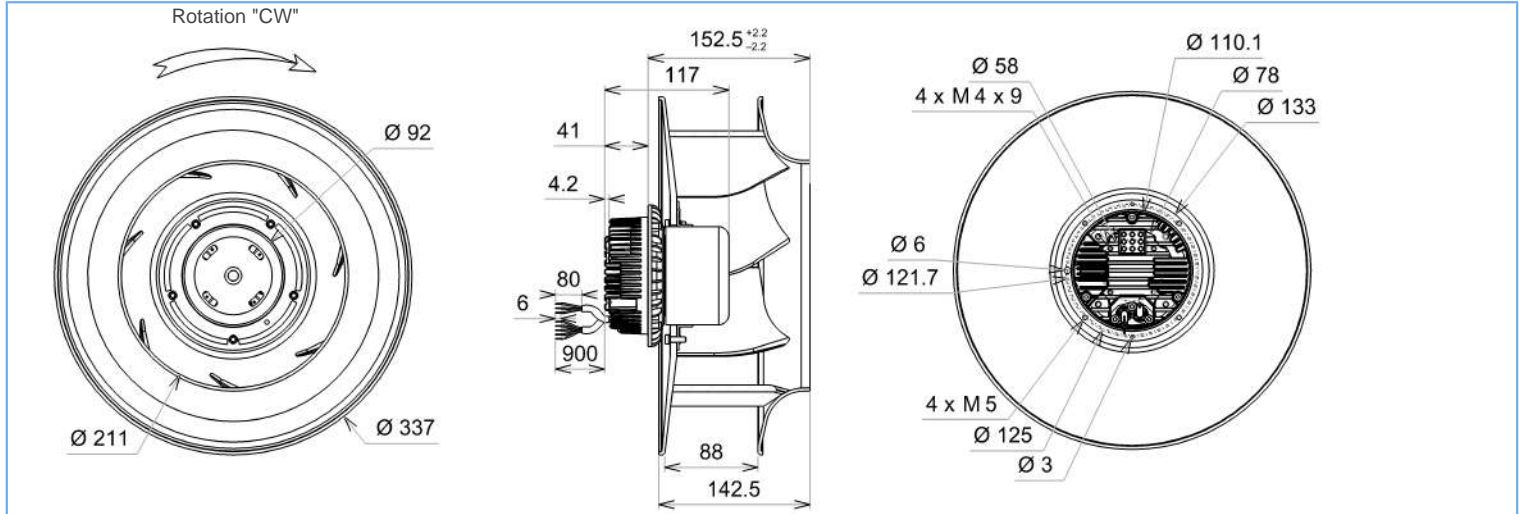
release. 0 - Revision 10-2017

Voltage	Frequency	Input Power	Input Current	Airflow	Rotation speed	Acoustic level	Direction rotation	Admissible Temperature
V	Hz	W	A	m ³ /h	RPM	dBA	↻	Min/Max
230	50/60	300	1,35	3300	2200		R	-20°C / +60°C
230	50/60			1942 CFM				-4°F / 140°F

dBA : free blowing

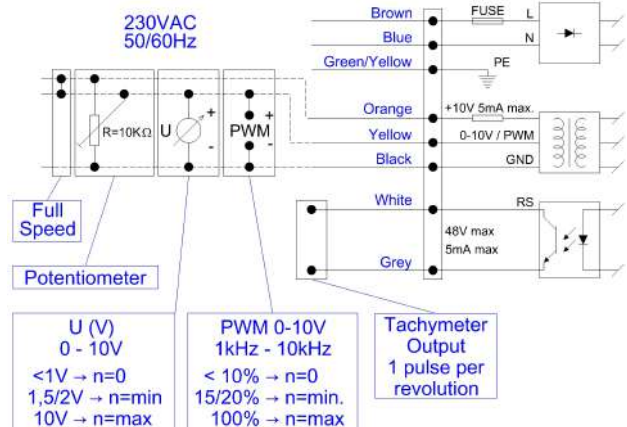
ErP 2013 **OK**

ErP 2015 **OK**



Description

- .Weight : 3,8 Kg
- .Ball bearing
- .Class F, thermally protected
- .IP54 protection depending on installation and position as per EN60034-5
- .G2.5 balancing
- .Rotor electrolytic galvanizing protection
- .Galvanized steel impeller





RREV8 337x88R

P38-D3-1



DATA SHEET

release. 0 - Revision 10-2017

Data in accordance to ErP directive

Voltage	230	V
Frequency	50	Hz
Power	0,300	kW ⁽¹⁾
Airflow	1682	m ³ /h ⁽¹⁾
Pressure	360	Pa ⁽¹⁾
Rotation speed	1888	RPM ⁽¹⁾

(1) at optimal efficiency point

	Actual	Request 2013	Request 2015
Overall efficiency (η)	63	42	46
Efficiency grade	79	58	62
Installation category	A		
Efficiency category	static		
Variable speed drive	Yes		
Specific ratio	1,00		

Designed for regular application according ErP directive EU 2009/125/EC

Accessories

21369

16265

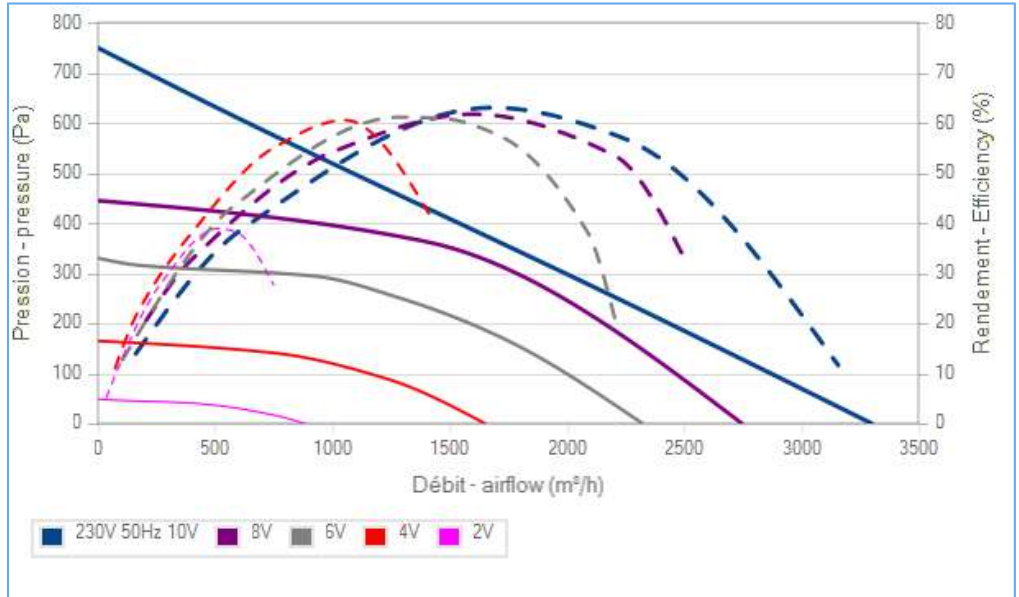
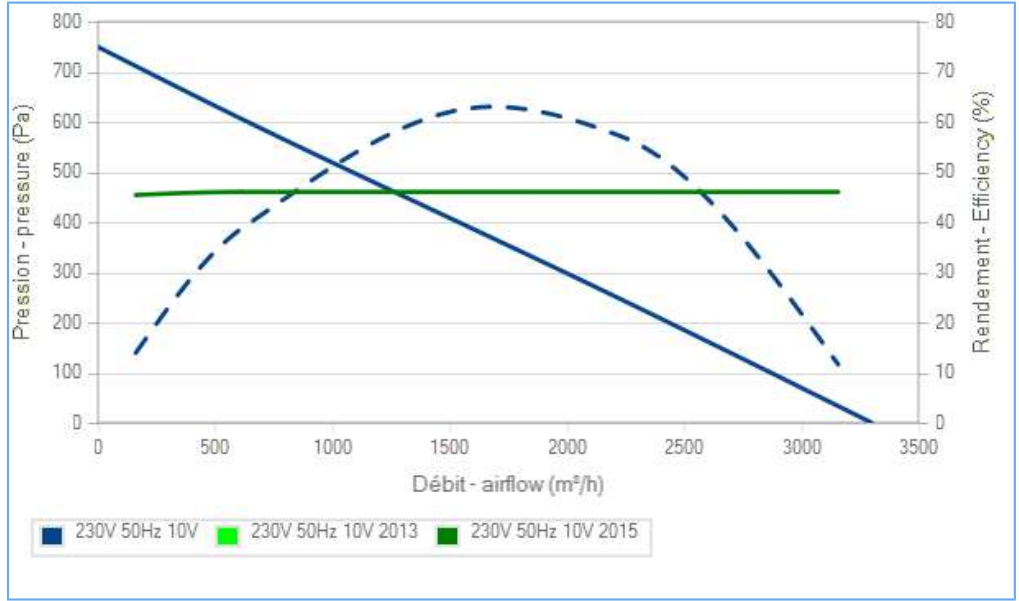
Measurement setup

16265

Documents

Manuel d'utilisation
www.ecofit.com/site/normes

Operating and recycling manual
www.ecofit.com/anglais/normes



La courbe de rendement intègre le facteur de compensation de charge partielle du règlement (UE) n°327/2011
 The efficiency curve includes part load compensation factor of regulation (EU) n°327/2011

Non contractual document. All specifications are subject to change without prior notice. Picture for information only.





RREV8 250x50R

Q13-A2-1



DATA SHEET

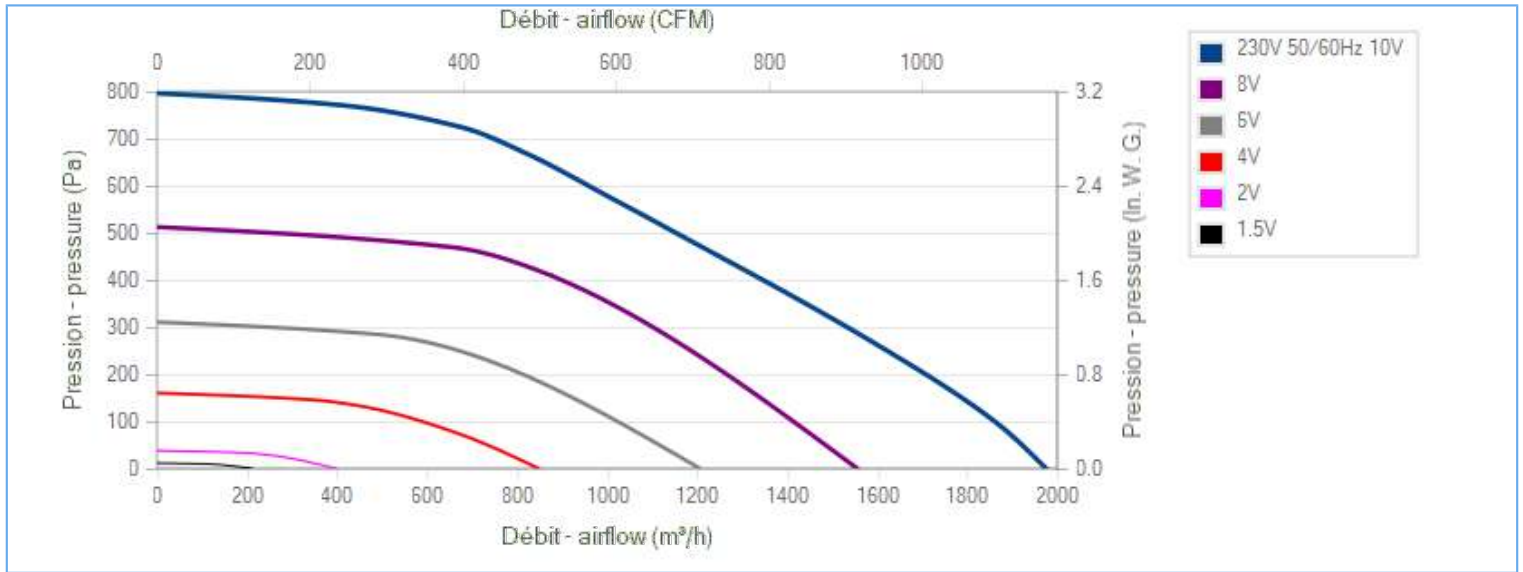
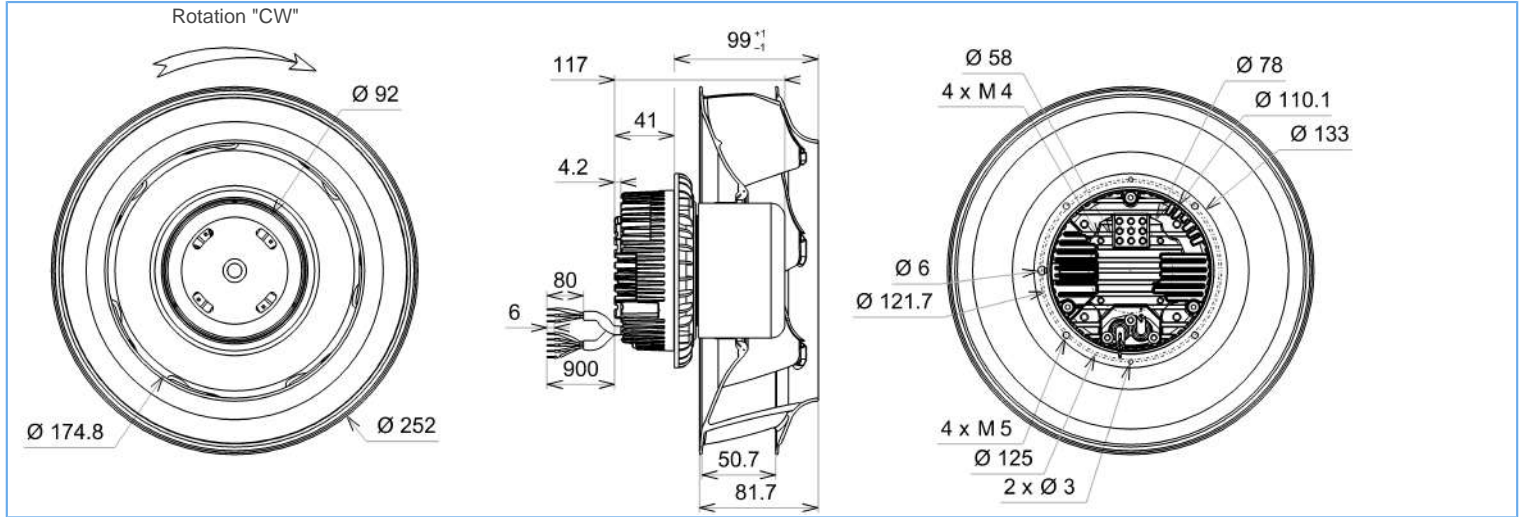
release. a - Revision 09-2017

Voltage	Frequency	Input Power	Input Current	Airflow	Rotation speed	Acoustic level	Direction rotation	Admissible Temperature
V	Hz	W	A	m ³ /h	RPM	dBA	↻	Min/Max
230	50/60	266	1,19	1975	3390		R	-20°C / +50°C
230	50/60			1162 CFM				-4°F / 122°F

dBA : free blowing

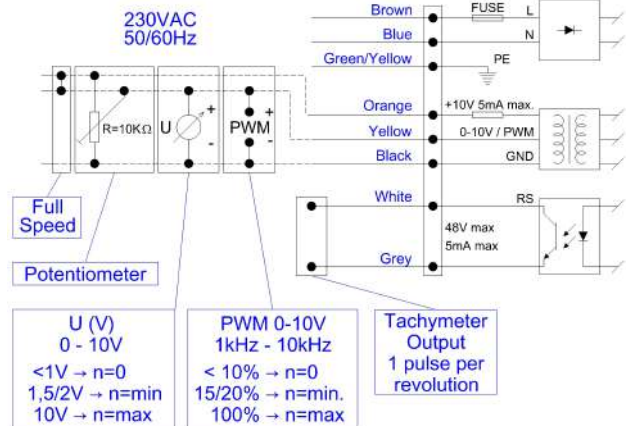
ErP 2013 OK

ErP 2015 OK



Description

- .Weight : 3,0 Kg
- .Ball bearing
- .Class F, thermally protected
- .IP54 protection depending on installation and position as per EN60034-5
- .G2.5 balancing
- .Rotor electrolytic galvanizing protection
- .PA 6/6 UL 94 V-0 plastic impeller





RREV8 250x50R

Q13-A2-1



DATA SHEET

release. a - Revision 09-2017

Data in accordance to ErP directive

Voltage	230	V
Frequency	50	Hz
Power	0,300	kW ⁽¹⁾
Airflow	1015	m ³ /h ⁽¹⁾
Pressure	571	Pa ⁽¹⁾
Rotation speed	3204	RPM ⁽¹⁾

(1) at optimal efficiency point

	Actual	Request 2013	Request 2015
Overall efficiency (η)	60,3	42	46
Efficiency grade	76	58	62
Installation category	A		
Efficiency category	static		
Variable speed drive	Yes		
Specific ratio	1,00		

Designed for regular application according ErP directive EU 2009/125/EC

Accessories

16234

21360

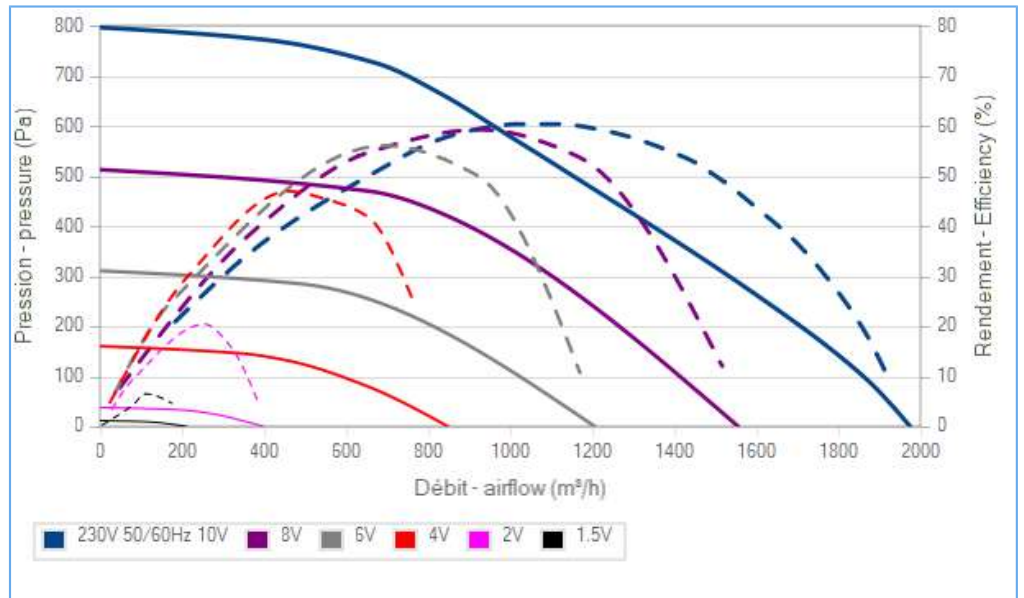
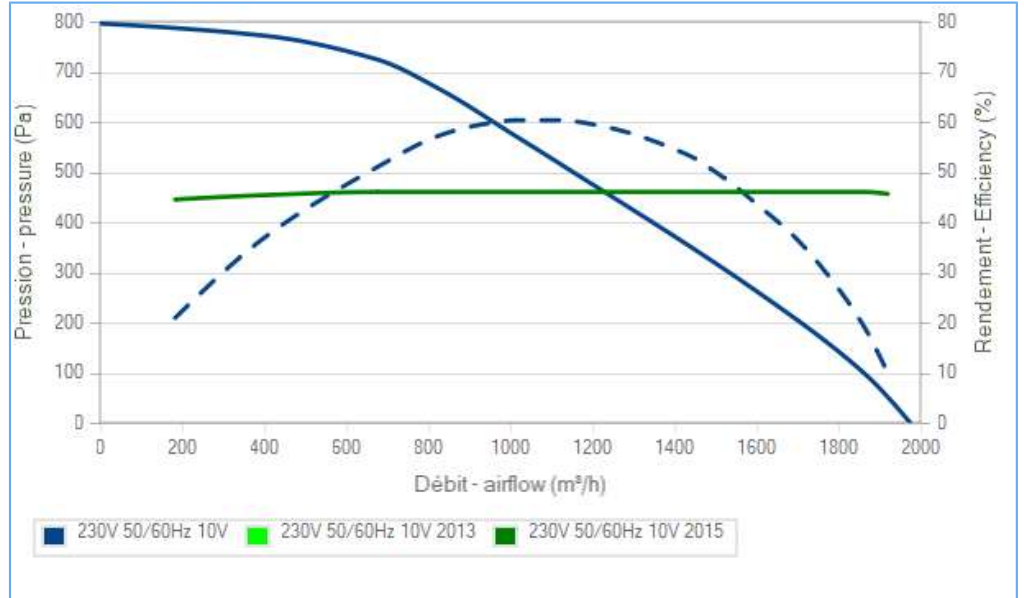
Measurement setup

16234

Documents

Manuel d'utilisation
www.ecofit.com/site/normes

Operating and recycling manual
www.ecofit.com/anglais/normes



La courbe de rendement intègre le facteur de compensation de charge partielle du règlement (UE) n°327/2011
 The efficiency curve includes part load compensation factor of regulation (EU) n°327/2011

Non contractual document. All specifications are subject to change without prior notice. Picture for information only.





RREuG9 250x50R

Q13-A3-1



DATA SHEET

release. 0 - Revision 07-2018

Voltage	Frequency	Input Power	Input Current	Airflow	Rotation speed	Acoustic level	Direction rotation	Admissible Temperature
V	Hz	W	A	m ³ /h	RPM	dBA	↻	Min/Max
230	50/60	150	1,19	1630	2965		R	-20°C / +50°C
230	50/60			959 CFM				-4°F / 122°F



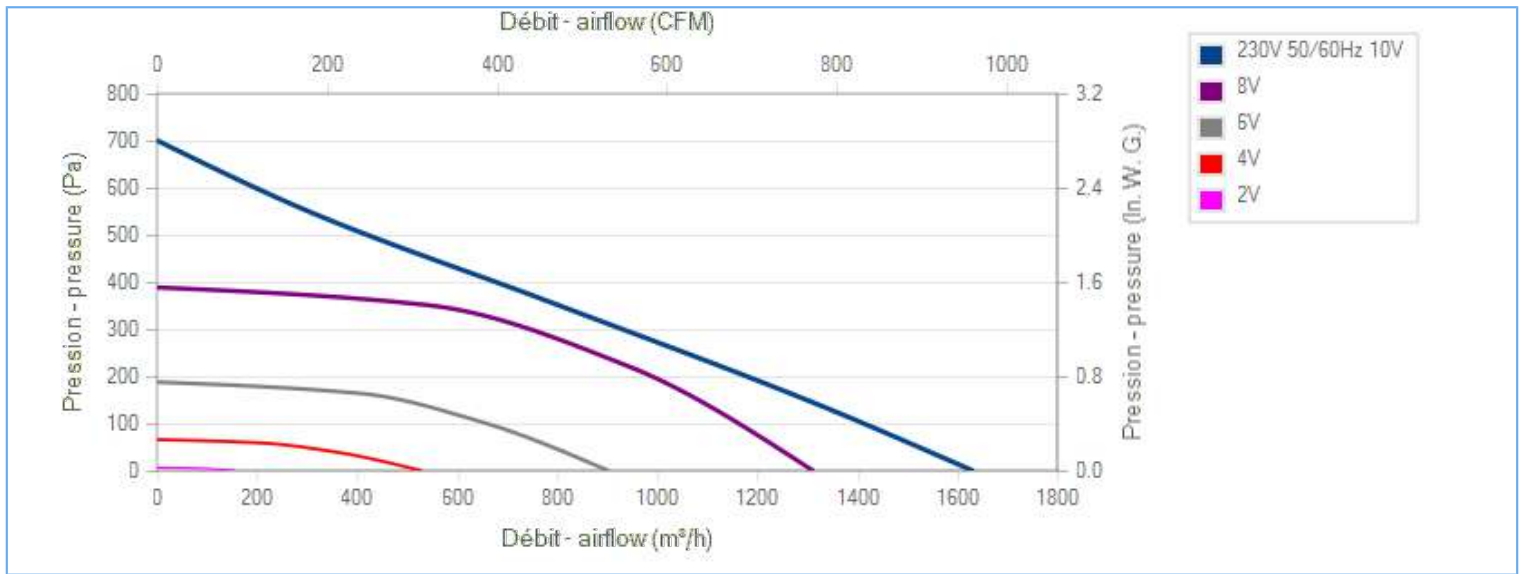
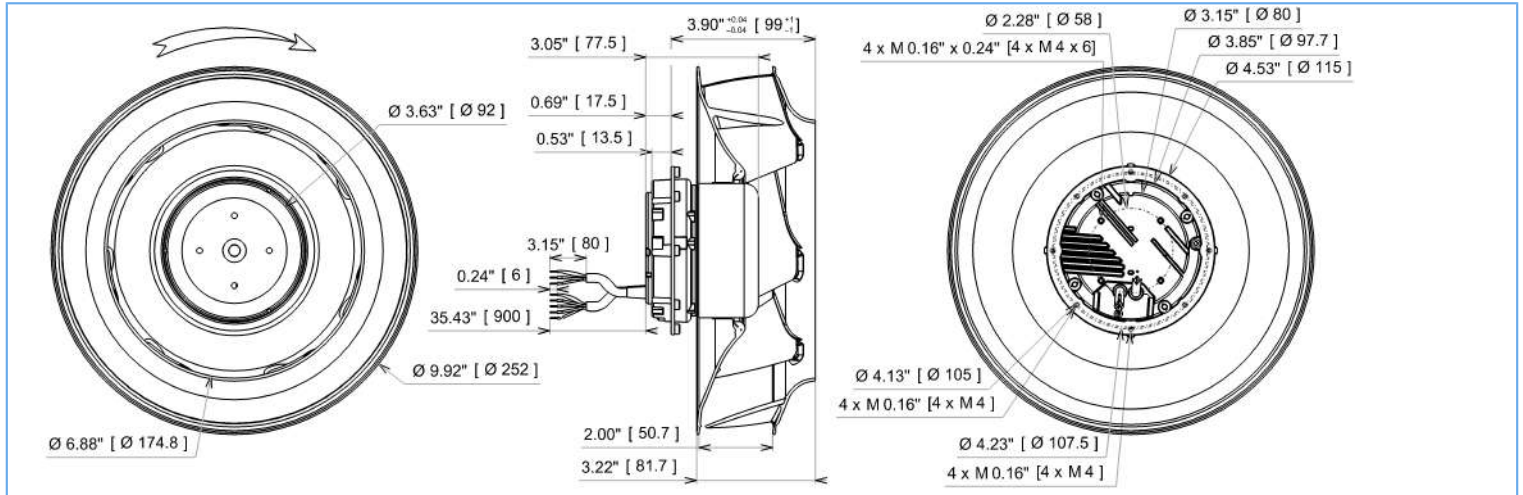
dBA : free blowing

ErP 2013

OK

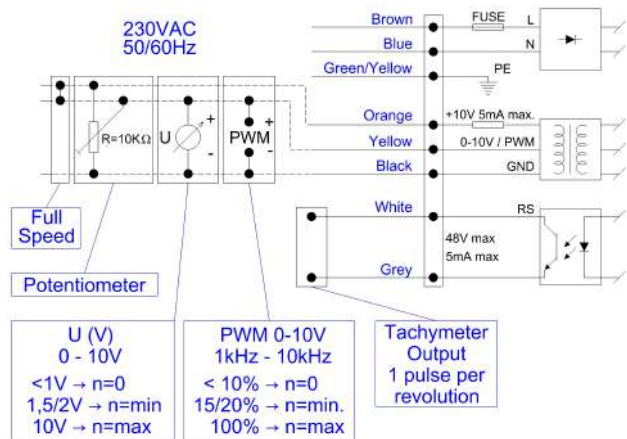
ErP 2015

OK



Description

- .Weight : 1,8 Kg
- .Ball bearing
- .Insulation Class F
- .IP4x may be IP44 according to EN60034-5 after checking the integration into the customer appliance
- .G2.5 balancing
- .Rotor : black paint
- .PA 6/6 UL 94 V-0 plastic impeller
- .Motor - UL Recognized component





DATA SHEET

release. 0 - Revision 07-2018

Data in accordance to ErP directive

Voltage	230	V
Frequency	50	Hz
Power	0,150	kW ⁽¹⁾
Airflow	864	m ³ /h ⁽¹⁾
Pressure	328	Pa ⁽¹⁾
Rotation speed	2573	RPM ⁽¹⁾

(1) at optimal efficiency point

	Actual	Request 2013	Request 2015
Overall efficiency (η)	60	38,8	42,8
Efficiency grade	79	58	62
Installation category	A		
Efficiency category	static		
Variable speed drive	Yes		
Specific ratio	1,00		

Designed for regular application according ErP directive EU 2009/125/EC

Accessories

16234

21360

Measurement setup

16234

Documents

Manuel d'utilisation
www.ecofit.com/site/normes

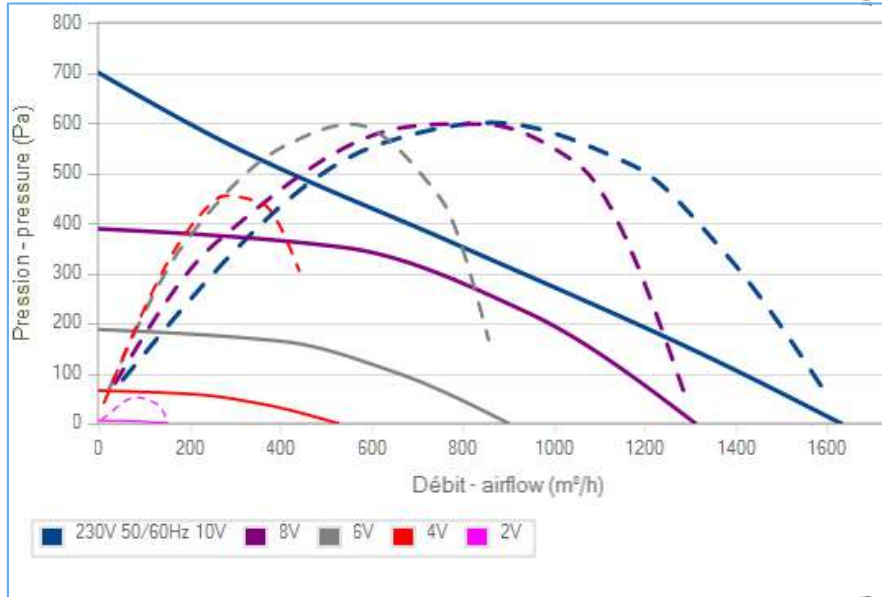
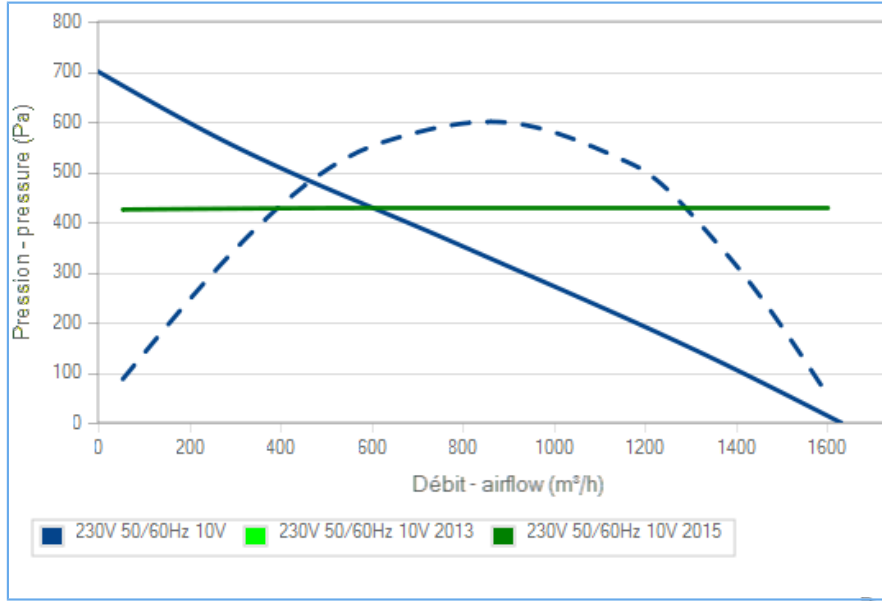
Operating and recycling manual
www.ecofit.com/anglais/normes



IEC 60335-2-80:2002 + A1:2004 +
 IEC 60335-1:2010
 EN 60335-2-80:2003 + A1:2004 + A2:2009 +
 EN 60335-1:2012
 RT9192CE



UL1004-1, 2nd edition "rotating electrical machine"
 UL1004-3, 1st edition "thermally protected motors"
 UL1004-7, 2nd edition "electronically protected motors"
 C22.2 N°100-04, 6th edition "motors and generator"
 C22.2 N°77-95, 7th edition "motors with inherent overheating protection"
 UL Motor Model : RT9192
 File Number : E326930 XDNW2,8



La courbe de rendement intègre le facteur de compensation de charge partielle du règlement (UE) n°327/2011
 The efficiency curve includes part load compensation factor of regulation (EU) n°327/2011



RREuG9 250x50R (120V) Q13-A4-1



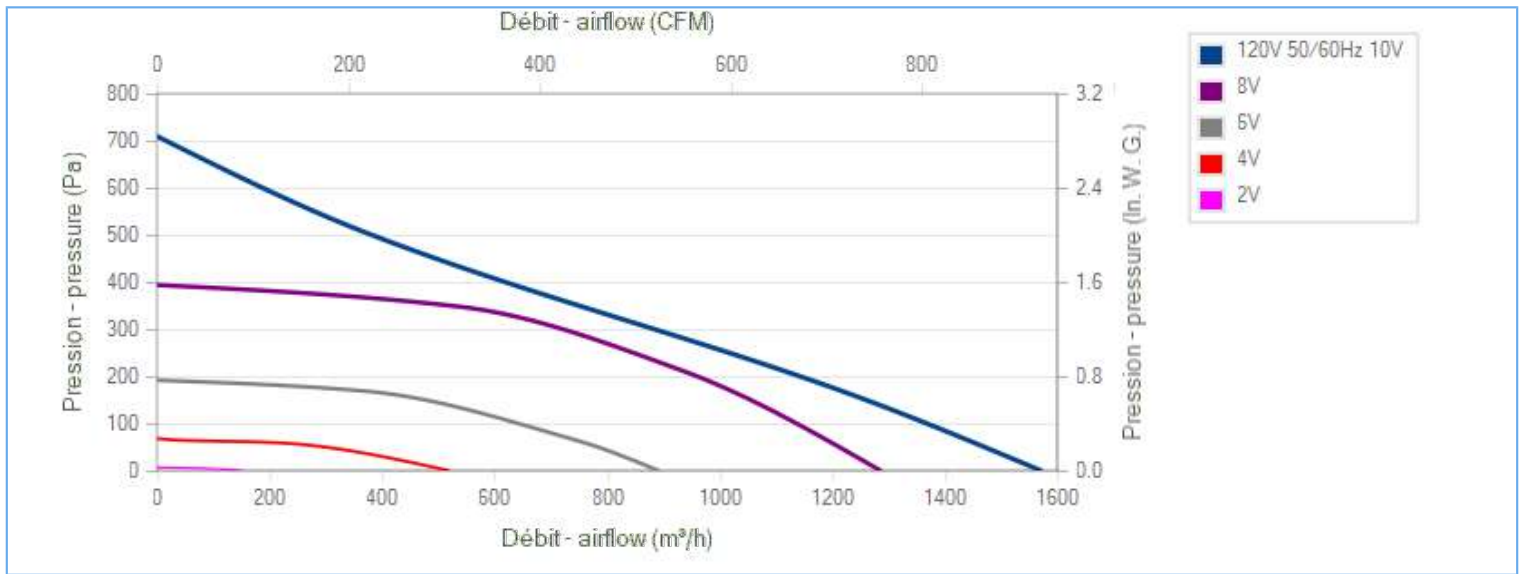
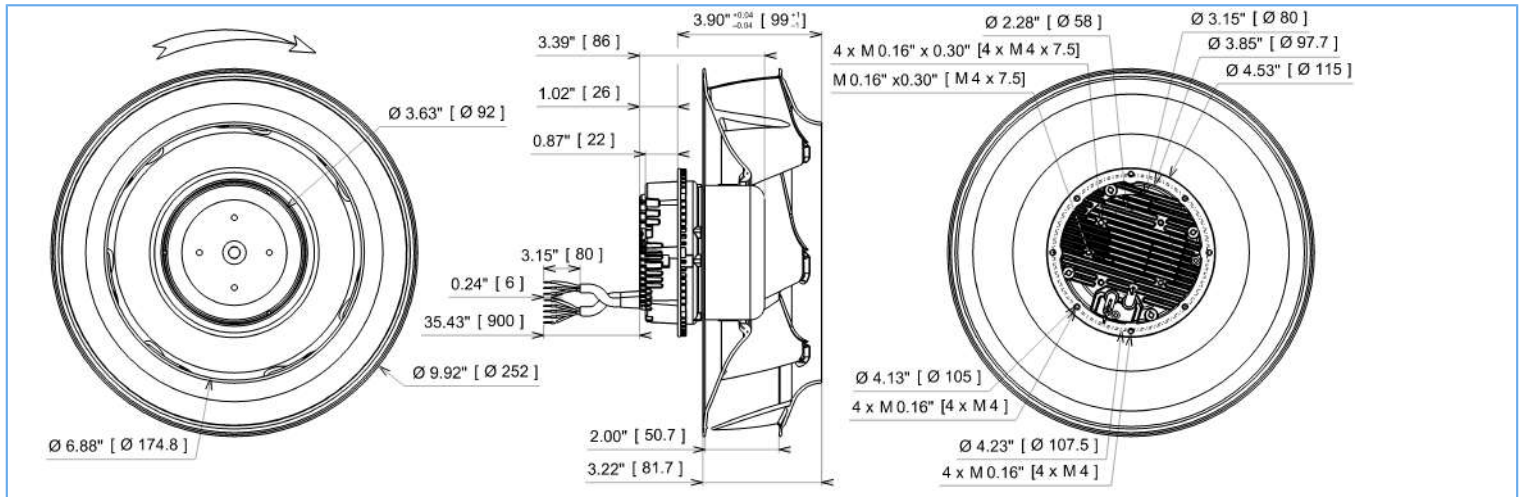
DATA SHEET

release. b - Revision 07-2018

Voltage	Frequency	Input Power	Input Current	Airflow	Rotation speed	Direction rotation	Admissible Temperature
V	Hz	W	A	m ³ /h	RPM		Min/Max
120	50/60	150	1,98	1570	2945	R	-25°C / +50°C
120	50/60			924 CFM			-13°F / 122°F

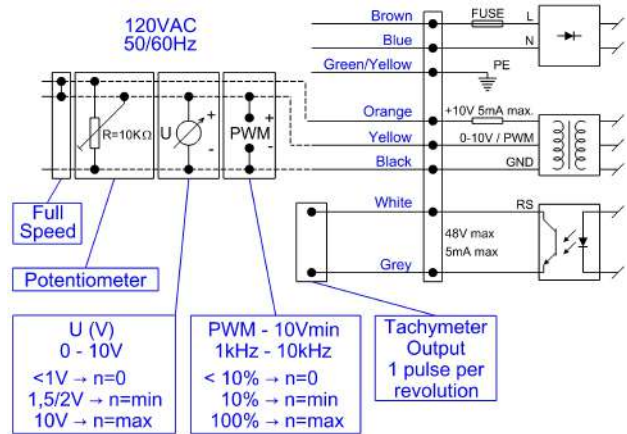


ErP 2013 OK ErP 2015 OK



Description

- .Weight : 1,8 Kg
- .Ball bearing
- .Insulation Class F
- .IP4x may be IP44 according to EN60034-5 after checking the integration into the customer appliance
- .G2.5 balancing
- .Rotor : black paint
- .PA 6/6 UL 94 V-0 plastic impeller
- .Motor - UL Recognized component





DATA SHEET

release. b - Revision 07-2018

Data in accordance to ErP directive

Voltage	120	V
Frequency	50	Hz
Power	0,150	kW ⁽¹⁾
Airflow	851	m ³ /h ⁽¹⁾
Pressure	312	Pa ⁽¹⁾
Rotation speed	2590	RPM ⁽¹⁾

(1) at optimal efficiency point

	Actual	Request 2013	Request 2015
Overall efficiency (η)	56,4	38,8	42,8
Efficiency grade	76	58	62
Installation category	A		
Efficiency category	static		
Variable speed drive	Yes		
Specific ratio	1,00		

Designed for regular application according ErP directive EU 2009/125/EC

Accessories

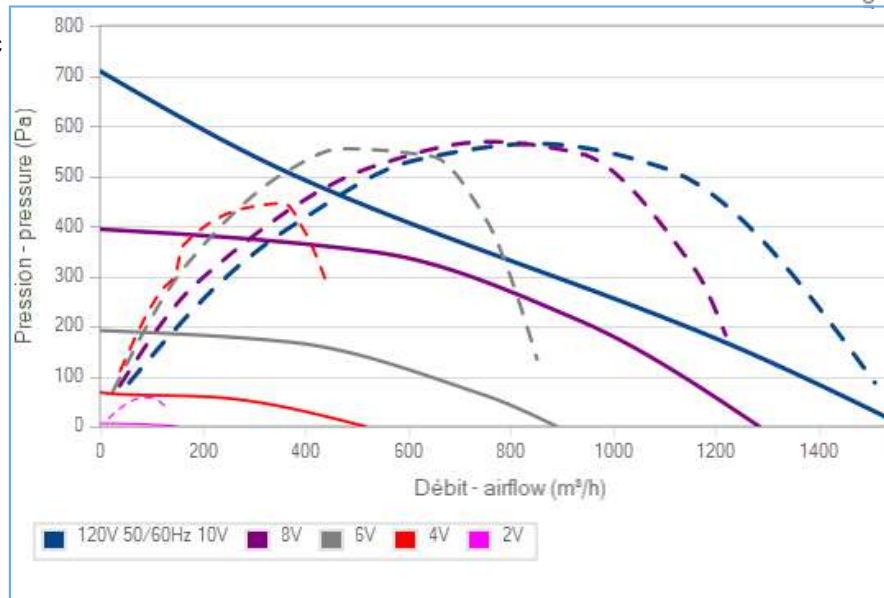
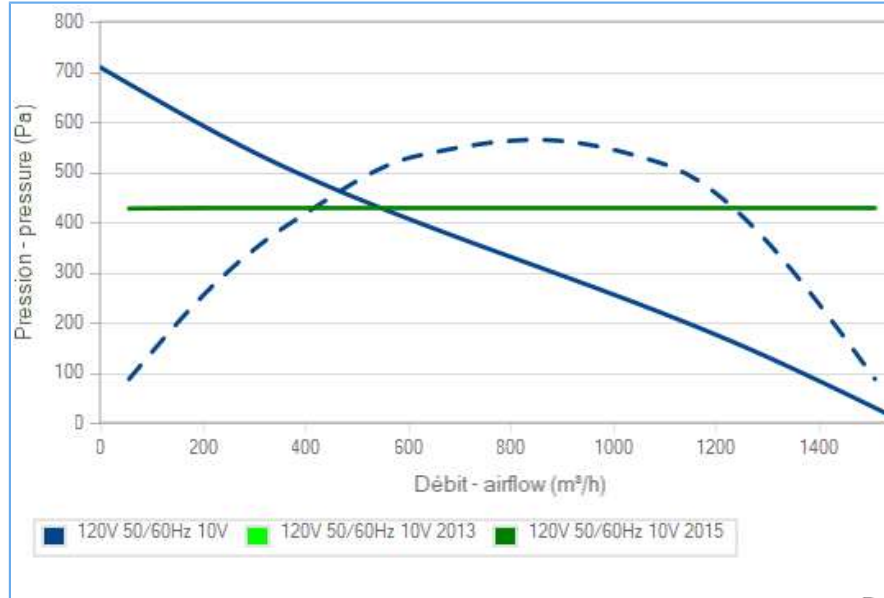
- 16234
- 21360

Measurement setup

- 16234

Documents

- Manuel d'utilisation
www.ecofit.com/site/normes
- Operating and recycling manual
www.ecofit.com/anglais/normes



La courbe de rendement intègre le facteur de compensation de charge partielle du règlement (UE) n°327/2011
The efficiency curve includes part load compensation factor of regulation (EU) n°327/2011



UL1004-1, 2nd edition "rotating electrical machine"
UL1004-3, 1st edition "thermally protected motors"
UL1004-7, 2nd edition "electronically protected motors"
C22.2 N°100-04, 6th edition "motors and generator"
C22.2 N°77-95, 7th edition "motors with inherent overheating protection"
UL Motor Model : RT9191
File Number : E326930 XDNW2,8



RRMV8 250x50R

Q13-A5-1



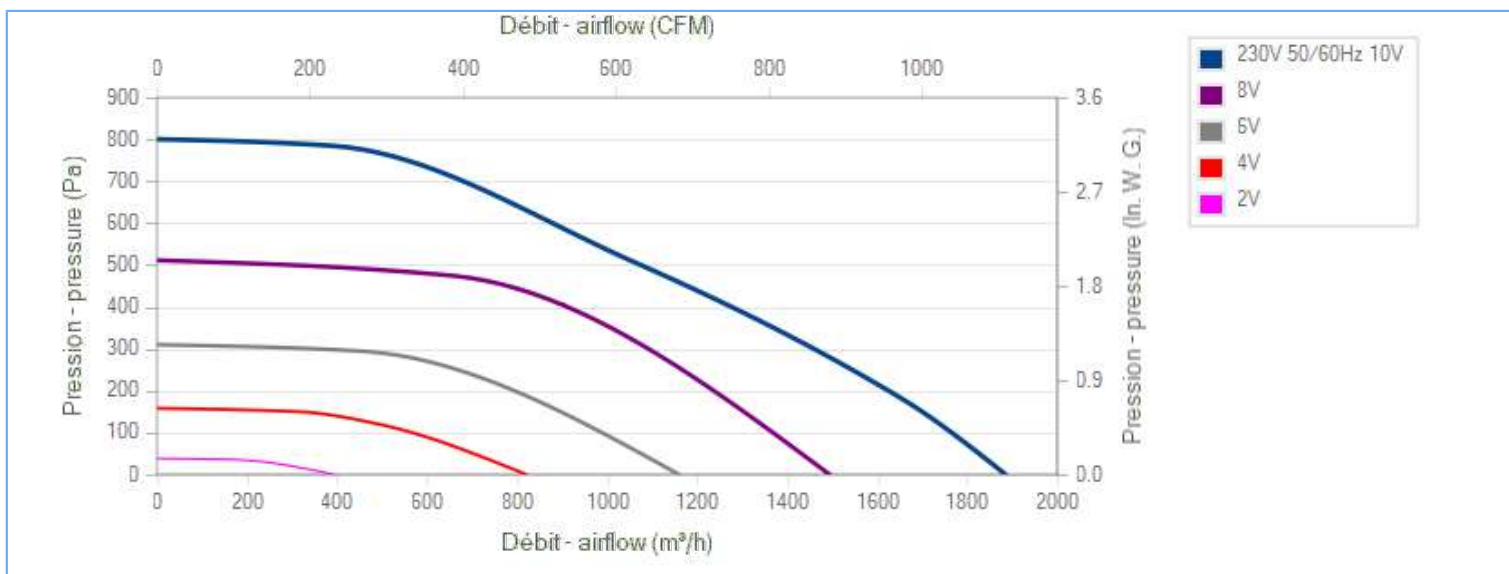
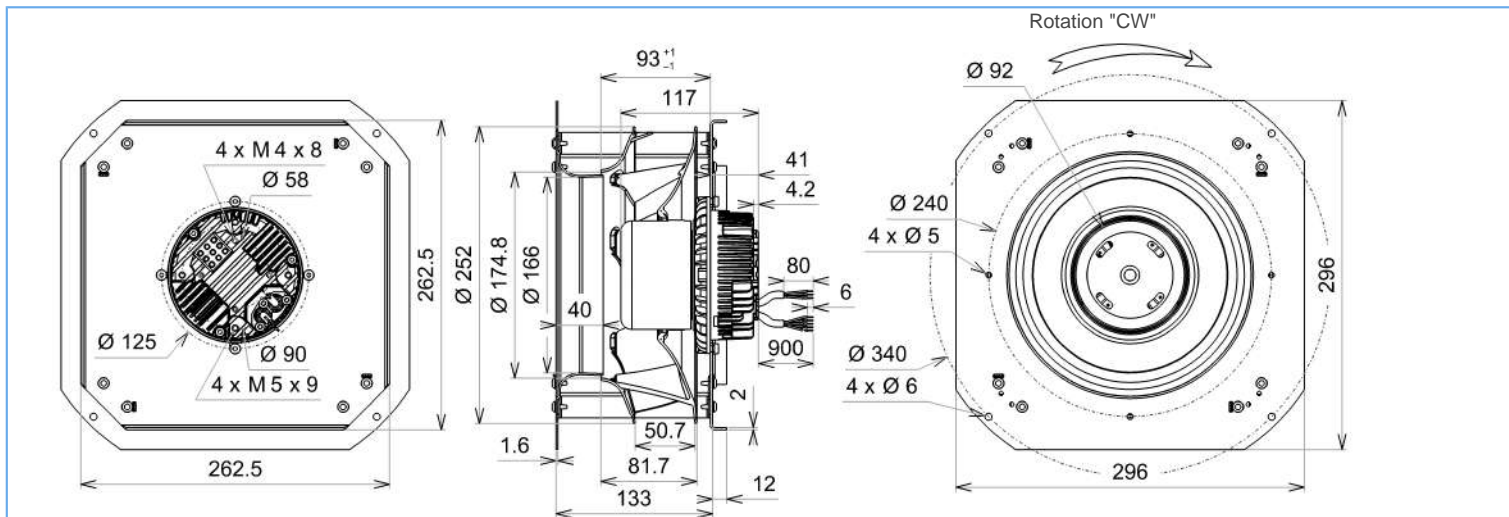
DATA SHEET

release. c - Revision 03-2018

Voltage	Frequency	Input Power	Input Current	Airflow	Rotation speed	Direction rotation	Admissible Temperature
V	Hz	W	A	m ³ /h	RPM		Min/Max
230	50/60	277	1,23	1885	3420	R	-20°C / +50°C
230	50/60			1109 CFM			-4°F / 122°F

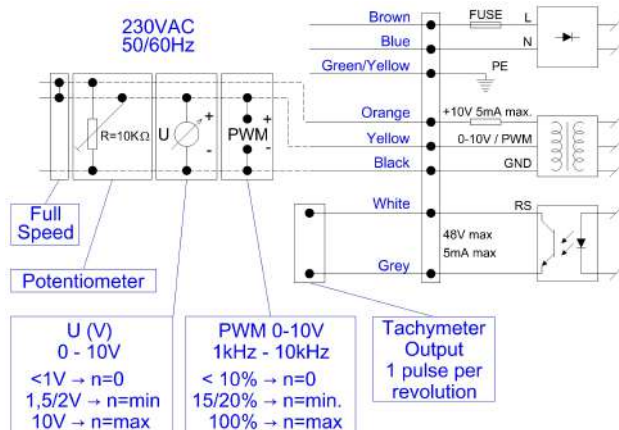


ErP 2013 OK ErP 2015 OK



Description

- .Weight : 3,5 Kg
- .Ball bearing
- .Insulation Class F
- .IP54 protection depending on installation and position as per EN60034-5
- .G2.5 balancing
- .Rotor electrolytic galvanizing protection
- .PA 6/6 UL 94 V-0 plastic impeller



Non contractual document. All specifications are subject to change without prior notice. Picture for information only.



RRMV8 250x50R

Q13-A5-1



DATA SHEET

release. c - Revision 03-2018

Data in accordance to ErP directive

Voltage	230	V
Frequency	50	Hz
Power	0,300	kW ⁽¹⁾
Airflow	970	m ³ /h ⁽¹⁾
Pressure	560	Pa ⁽¹⁾
Rotation speed	3180	RPM ⁽¹⁾

(1) at optimal efficiency point

	Actual	Request 2013	Request 2015
Overall efficiency (η)	56,6	42	46
Efficiency grade	73	58	62
Installation category	A		
Efficiency category	static		
Variable speed drive	Yes		
Specific ratio	1,00		

Designed for regular application according ErP directive EU 2009/125/EC

Accessories

21360

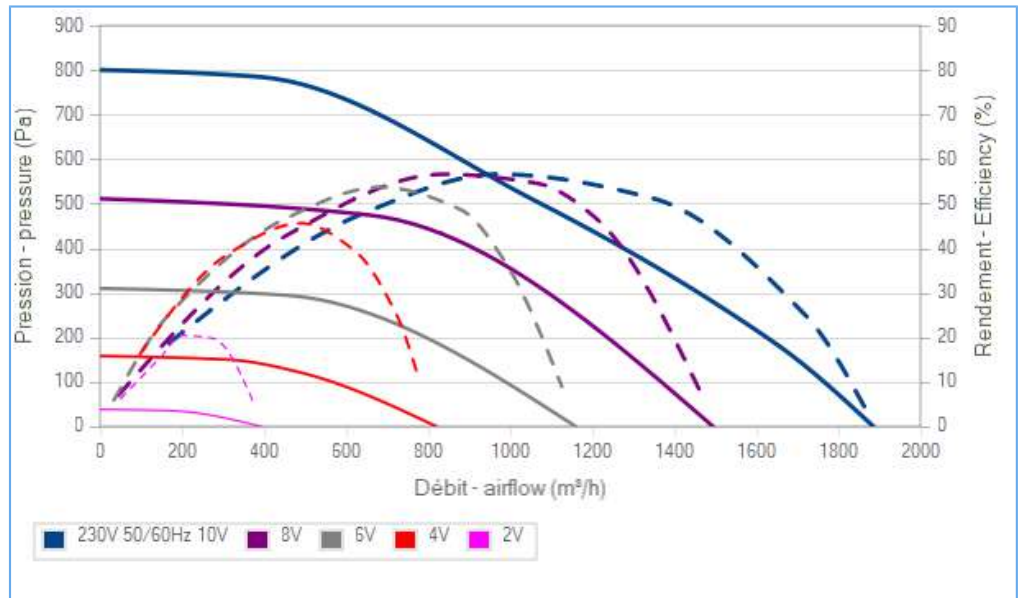
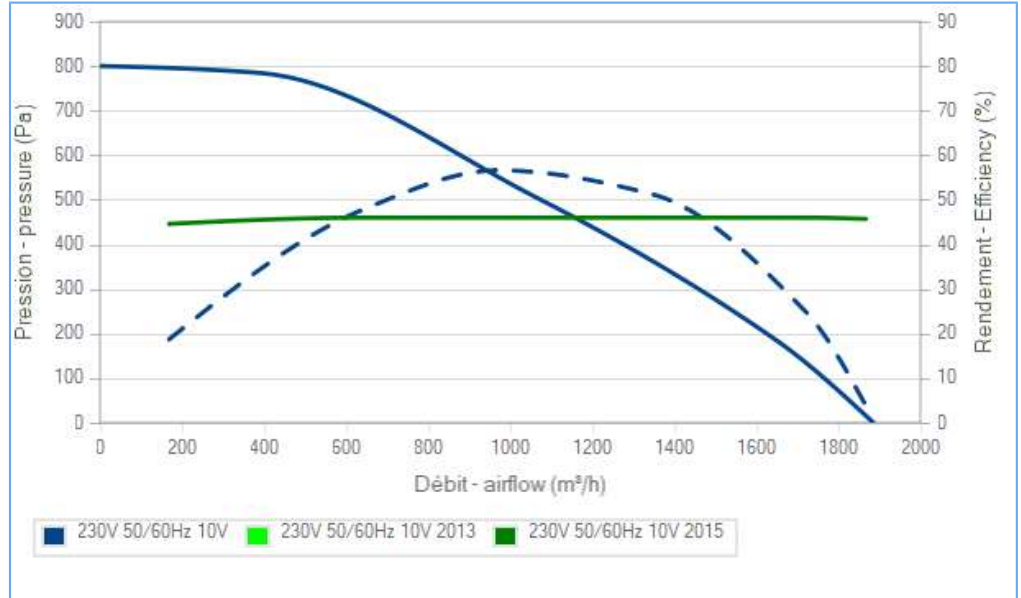
Measurement setup

16234

Documents

Manuel d'utilisation
www.ecofit.com/site/normes

Operating and recycling manual
www.ecofit.com/anglais/normes



La courbe de rendement intègre le facteur de compensation de charge partielle du règlement (UE) n°327/2011
 The efficiency curve includes part load compensation factor of regulation (EU) n°327/2011



Non contractual document. All specifications are subject to change without prior notice. Picture for information only.



RRMuG9 250x50R

Q13-A6-1

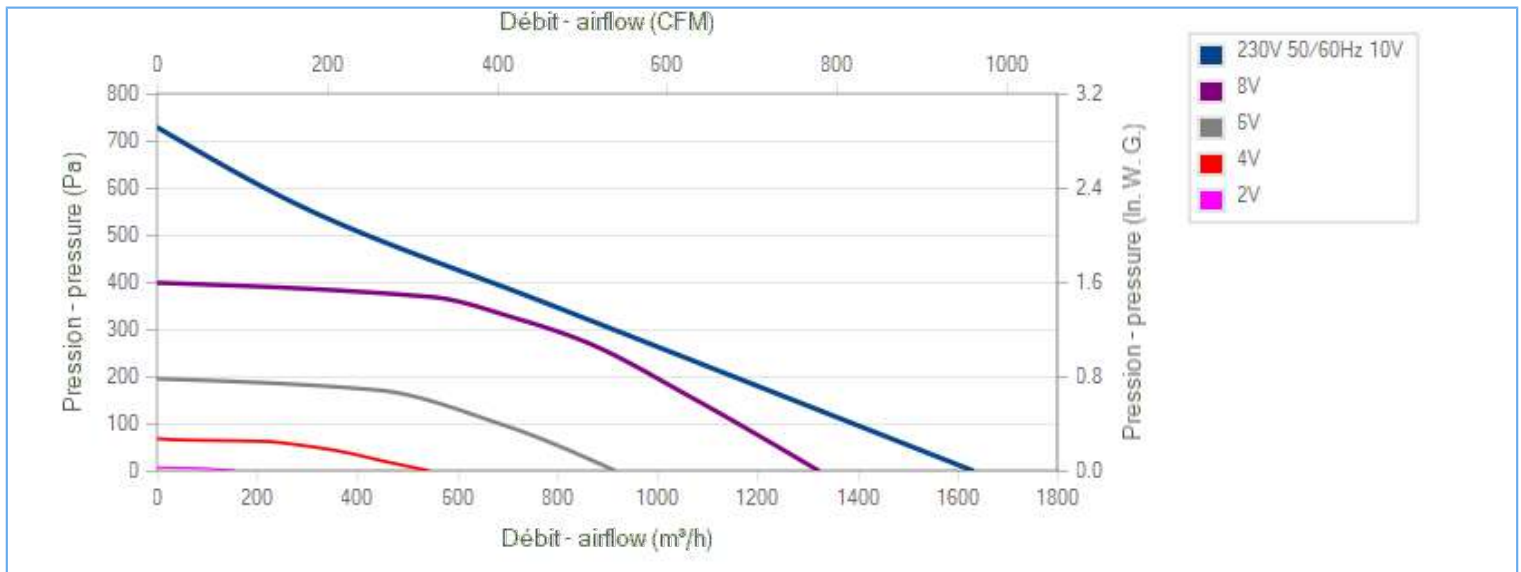
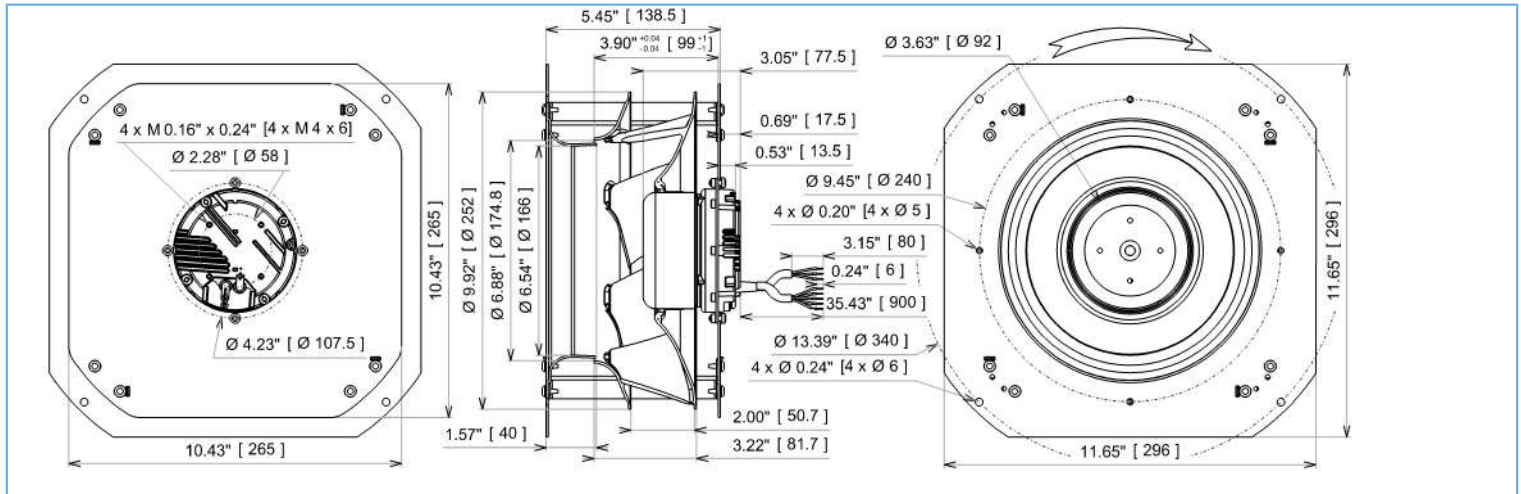


DATA SHEET

release. b - Revision 05-2018

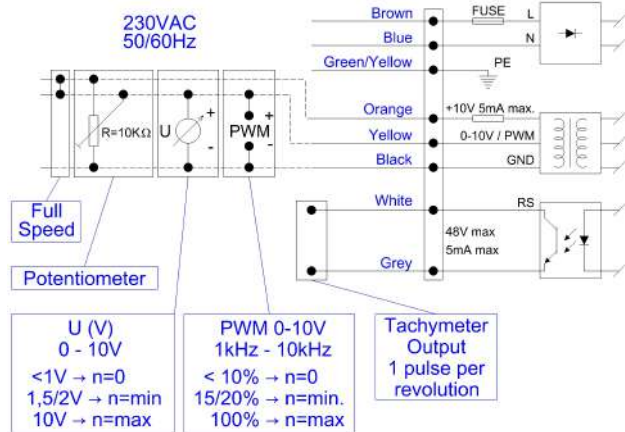
Voltage	Frequency	Input Power	Input Current	Airflow	Rotation speed	Direction rotation	Admissible Temperature
V	Hz	W	A	m ³ /h	RPM		Min/Max
230	50/60	150	1,19	1630	2965	R	-20°C / +50°C
230	50/60			959 CFM			-4°F / 122°F

ErP 2013 OK ErP 2015 OK



Description

- .Weight : 3,5 Kg
- .Ball bearing
- .Class F, thermally protected
- .IP4x may be IP44 according to EN60034-5 after checking the integration into the customer appliance
- .G2.5 balancing
- .Rotor : black paint
- .PA 6/6 UL 94 V-0 plastic impeller
- .Motor - UL Recognized component



Non contractual document. All specifications are subject to change without prior notice. Picture for information only.



DATA SHEET

release. b - Revision 05-2018

Data in accordance to ErP directive

Voltage	230	V
Frequency	50	Hz
Power	0,150	kW ⁽¹⁾
Airflow	837	m ³ /h ⁽¹⁾
Pressure	330	Pa ⁽¹⁾
Rotation speed	2526	RPM ⁽¹⁾

(1) at optimal efficiency point

	Actual	Request 2013	Request 2015
Overall efficiency (η)	58,6	38,8	42,8
Efficiency grade	78	58	62
Installation category	A		
Efficiency category	static		
Variable speed drive	Yes		
Specific ratio	1,00		

Designed for regular application according ErP directive EU 2009/125/EC

Accessories

21360

Measurement setup

16234

Documents

Manuel d'utilisation

www.ecofit.com/site/normes

Operating and recycling manual

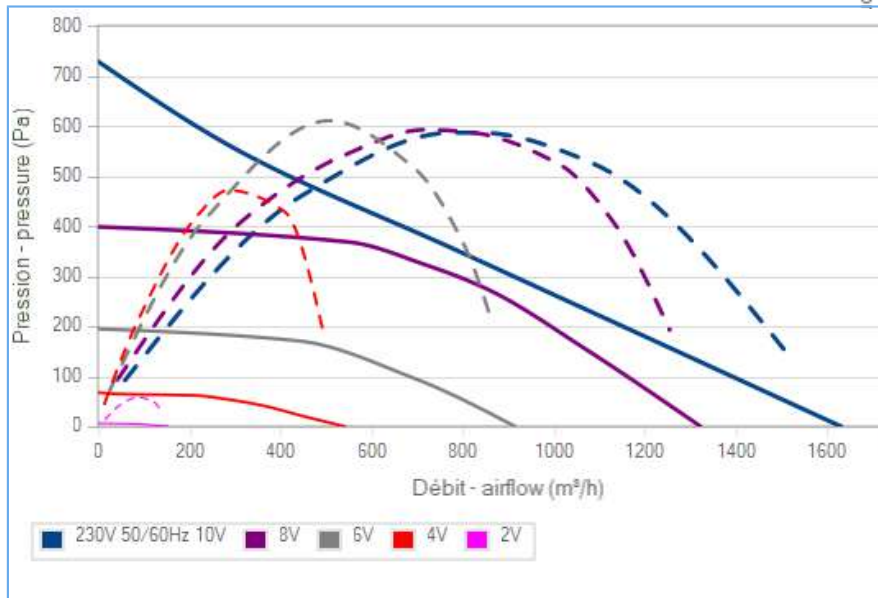
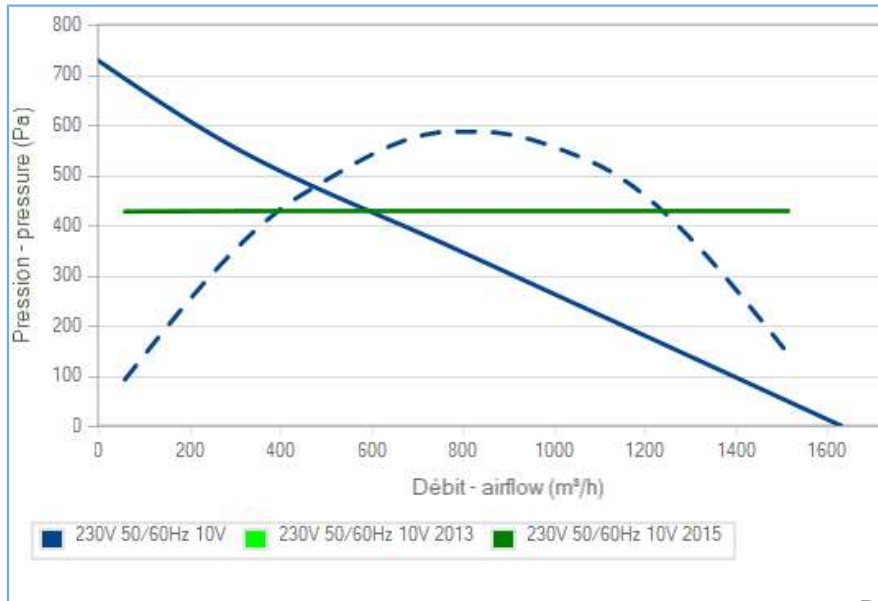
www.ecofit.com/anglais/normes



IEC 60335-2-80:2002 + A1:2004 +
IEC 60335-1:2010
EN 60335-2-80:2003 + A1:2004 + A2:2009 +
EN 60335-1:2012
RT9192CE



UL1004-1, 2nd edition "rotating electrical machine"
UL1004-3, 1st edition "thermally protected motors"
UL1004-7, 2nd edition "electronically protected motors"
C22.2 N°100-04, 6th edition "motors and generator"
C22.2 N°77-95, 7th edition "motors with inherent overheating protection"
UL Motor Model : RT9192
File Number : E326930.XDNW2,8



La courbe de rendement intègre le facteur de compensation de charge partielle du règlement (UE) n°327/2011
The efficiency curve includes part load compensation factor of regulation (EU) n°327/2011



RRMuG9 250x50R (120V) Q13-A7-1

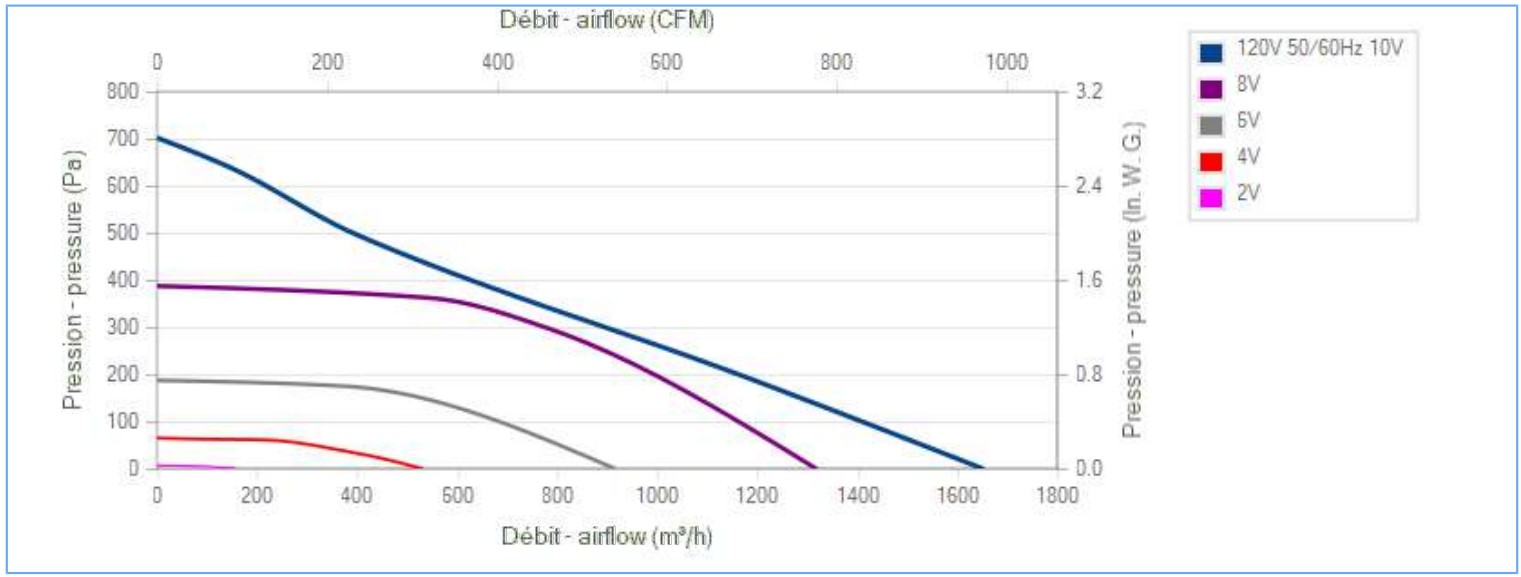
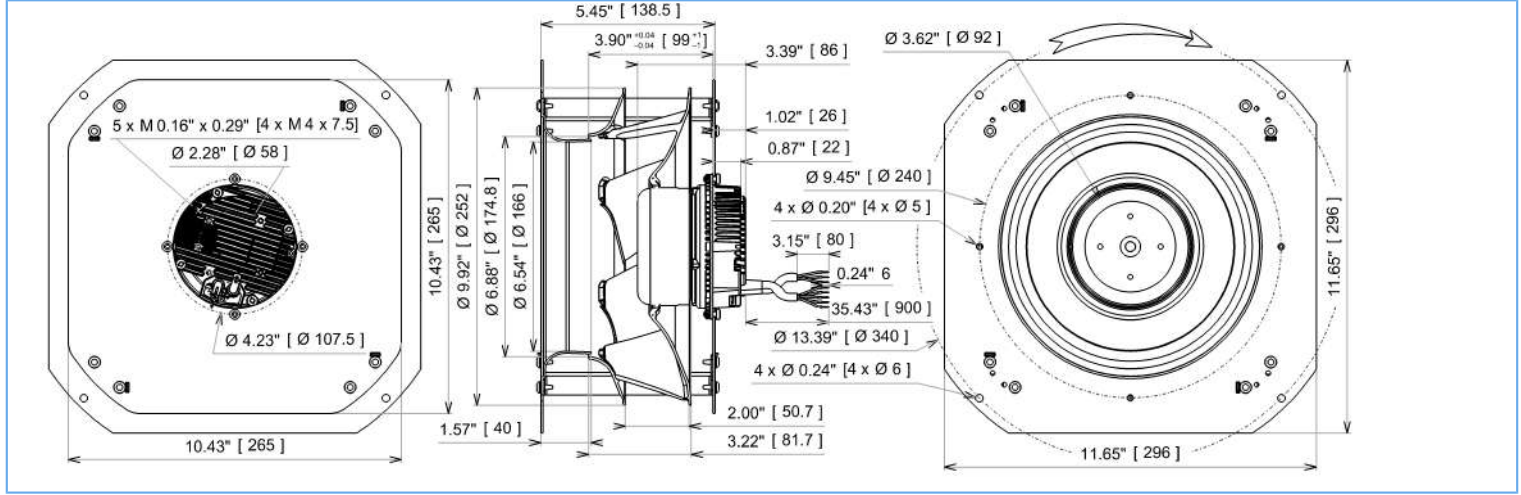


DATA SHEET

release. c - Revision 05-2018

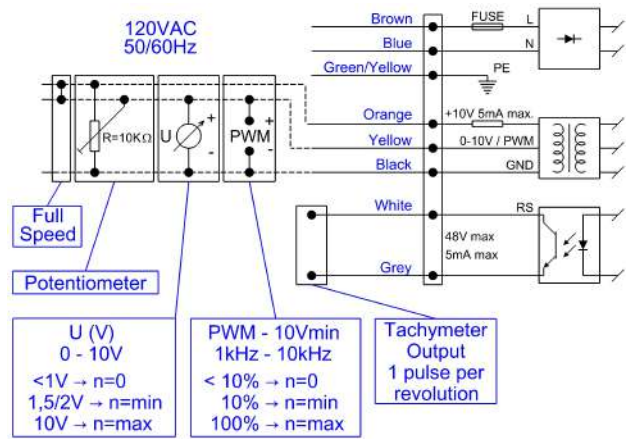
Voltage	Frequency	Input Power	Input Current	Airflow	Rotation speed	Direction rotation	Admissible Temperature
V	Hz	W	A	m ³ /h	RPM		Min/Max
120	50/60	150	2,05	1650	2920	R	-25°C / +60°C
120	50/60			971 CFM			-13°F / 140°F

ErP 2013 OK ErP 2015 OK



Description

- .Weight : 3,6 Kg
- .Ball bearing
- .Insulation Class F
- .IP4x may be IP44 according to EN60034-5 after checking the integration into the customer appliance
- .G2.5 balancing
- .Rotor : black paint
- .PA 6/6 UL 94 V-0 plastic impeller





DATA SHEET

release. c - Revision 05-2018

Data in accordance to ErP directive

Voltage	120	V
Frequency	50	Hz
Power	0,150	kW ⁽¹⁾
Airflow	864	m ³ /h ⁽¹⁾
Pressure	321	Pa ⁽¹⁾
Rotation speed	2527	RPM ⁽¹⁾

(1) at optimal efficiency point

	Actual	Request 2013	Request 2015
Overall efficiency (η)	58,7	38,8	42,8
Efficiency grade	78	58	62
Installation category	A		
Efficiency category	static		
Variable speed drive	Yes		
Specific ratio	1,00		

Designed for regular application according ErP directive EU 2009/125/EC

Accessories

21360

Measurement setup

16234

Documents

Manuel d'utilisation

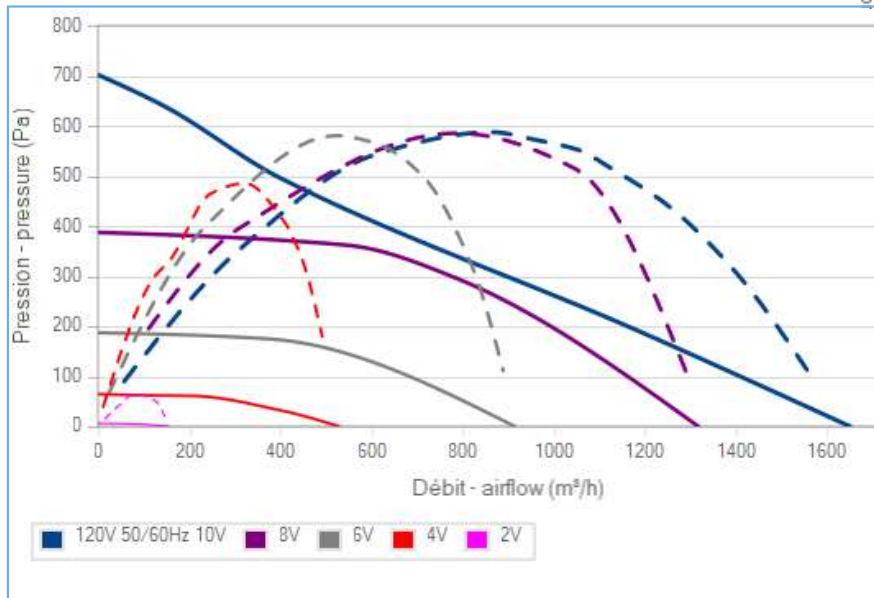
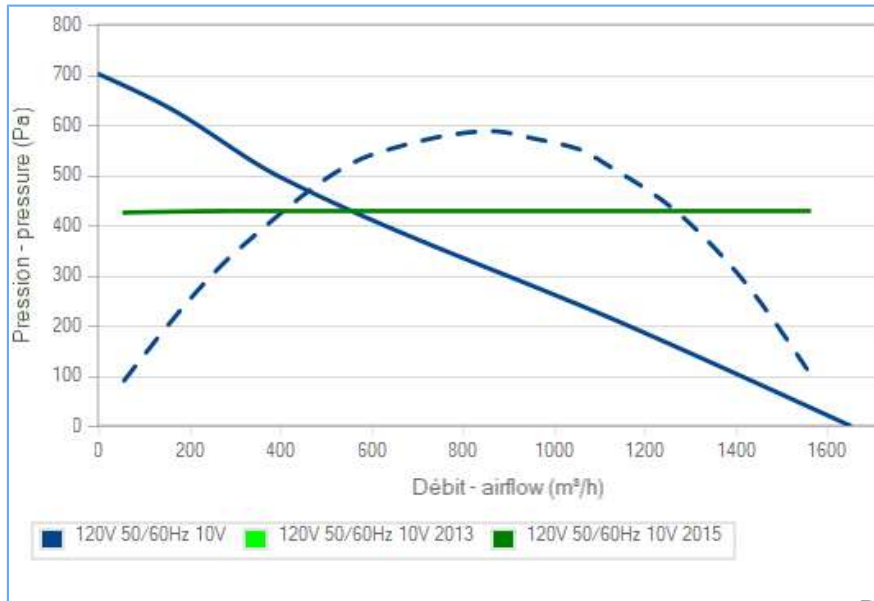
www.ecofit.com/site/normes

Operating and recycling manual

www.ecofit.com/anglais/normes



UL1004-1, 2nd edition "rotating electrical machine"
 UL1004-3, 1st edition "thermally protected motors"
 UL1004-7, 2nd edition "electronically protected motors"
 C22.2 N°100-04, 6th edition "motors and generator"
 C22.2 N°77-95, 7th edition "motors with inherent overheating protection"
 UL Motor Model : RT9191
 File Number : E326930 XDNW2,8



La courbe de rendement intègre le facteur de compensation de charge partielle du règlement (UE) n°327/2011
 The efficiency curve includes part load compensation factor of regulation (EU) n°327/2011



RREG9 250x50R

Q13-B1-1



DATA SHEET

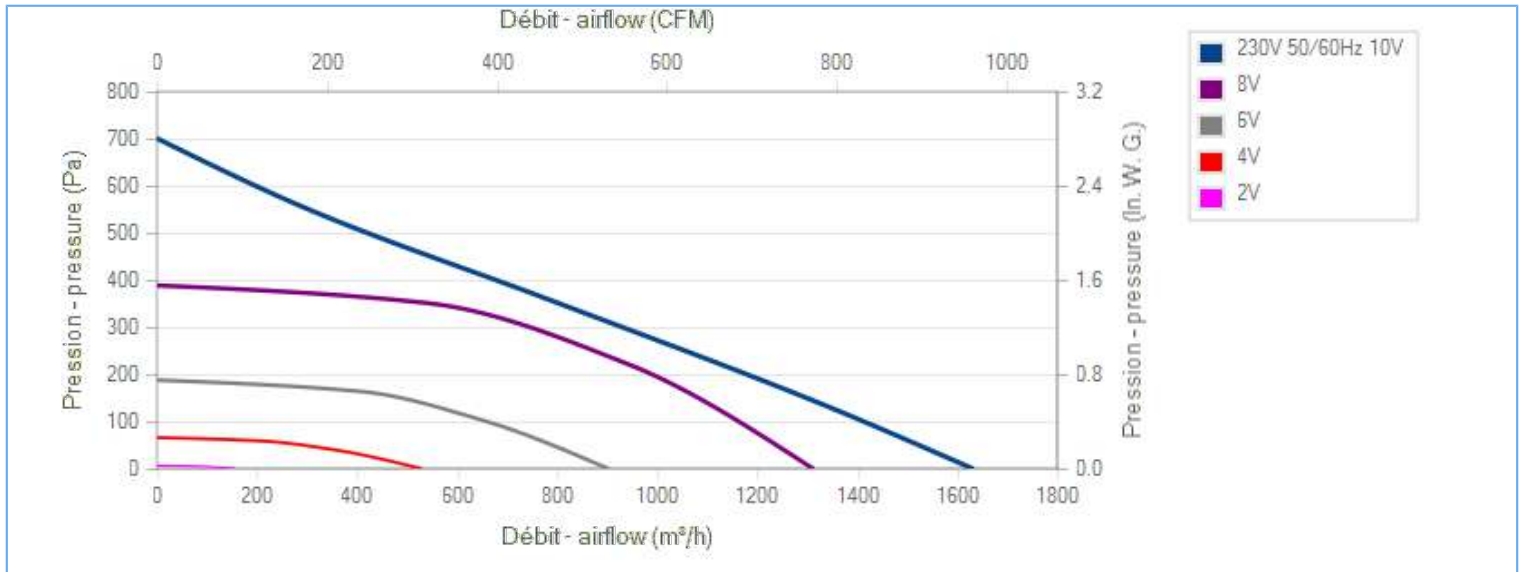
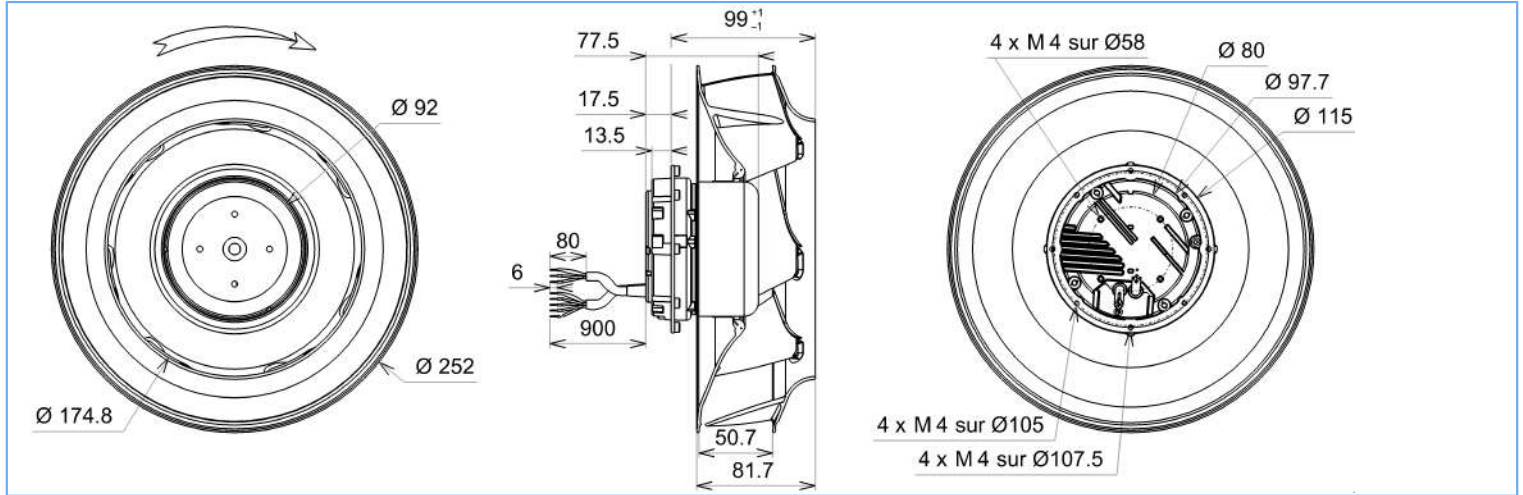
release. 0 - Revision 07-2018

Voltage	Frequency	Input Power	Input Current	Airflow	Rotation speed	Acoustic level	Direction rotation	Admissible Temperature
V	Hz	W	A	m ³ /h	RPM	dBA	↻	Min/Max
230	50/60	150	1,19	1630	2965		R	-20°C / +50°C
230	50/60			959 CFM				-4°F / 122°F

dBA : free blowing

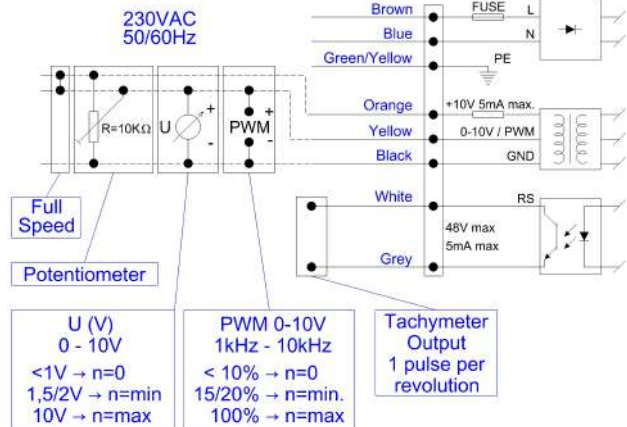
ErP 2013 **OK**

ErP 2015 **OK**



Description

- .Weight : 1,8 Kg
- .Ball bearing
- .Insulation Class F
- .IP4x may be IP44 according to EN60034-5 after checking the integration into the customer appliance
- .G2.5 balancing
- .Rotor : black paint
- .PA 6/6 UL 94 V-0 plastic impeller





RREG9 250x50R

Q13-B1-1



DATA SHEET

release. 0 - Revision 07-2018

Data in accordance to ErP directive

Voltage	230	V
Frequency	50	Hz
Power	0,150	kW ⁽¹⁾
Airflow	864	m ³ /h ⁽¹⁾
Pressure	328	Pa ⁽¹⁾
Rotation speed	2573	RPM ⁽¹⁾

(1) at optimal efficiency point

	Actual	Request 2013	Request 2015
Overall efficiency (η)	60	38,8	42,8
Efficiency grade	79	58	62
Installation category	A		
Efficiency category	static		
Variable speed drive	Yes		
Specific ratio	1,00		

Designed for regular application according ErP directive EU 2009/125/EC

Accessories

16234

21360

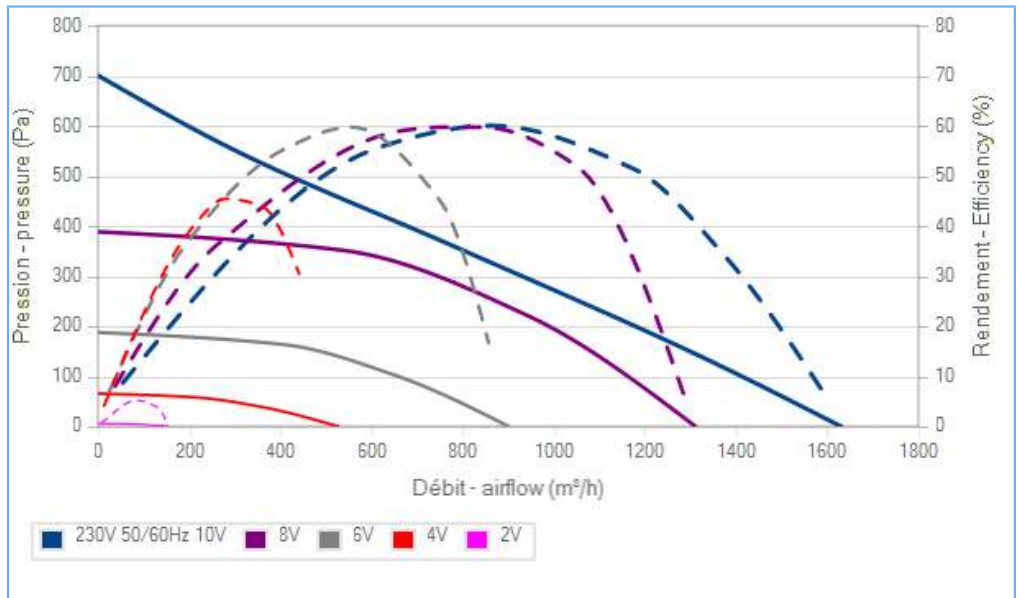
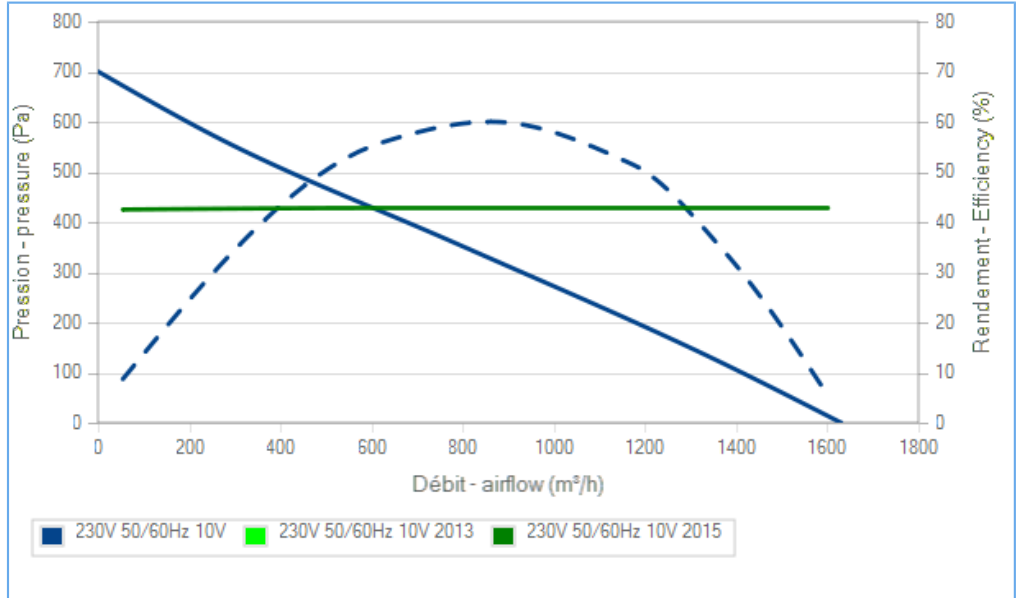
Measurement setup

16234

Documents

Manuel d'utilisation
www.ecofit.com/site/normes

Operating and recycling manual
www.ecofit.com/anglais/normes



La courbe de rendement intègre le facteur de compensation de charge partielle du règlement (UE) n°327/2011
 The efficiency curve includes part load compensation factor of regulation (EU) n°327/2011



IEC 60335-2-80:2002 + A1:2004 +
 IEC 60335-1:2010
 EN 60335-2-80:2003 + A1:2004 + A2:2009 +
 EN 60335-1:2012
 RT9192CE

Non contractual document. All specifications are subject to change without prior notice. Picture for information only.



RRMV8 250x50R

Q13-B2-1



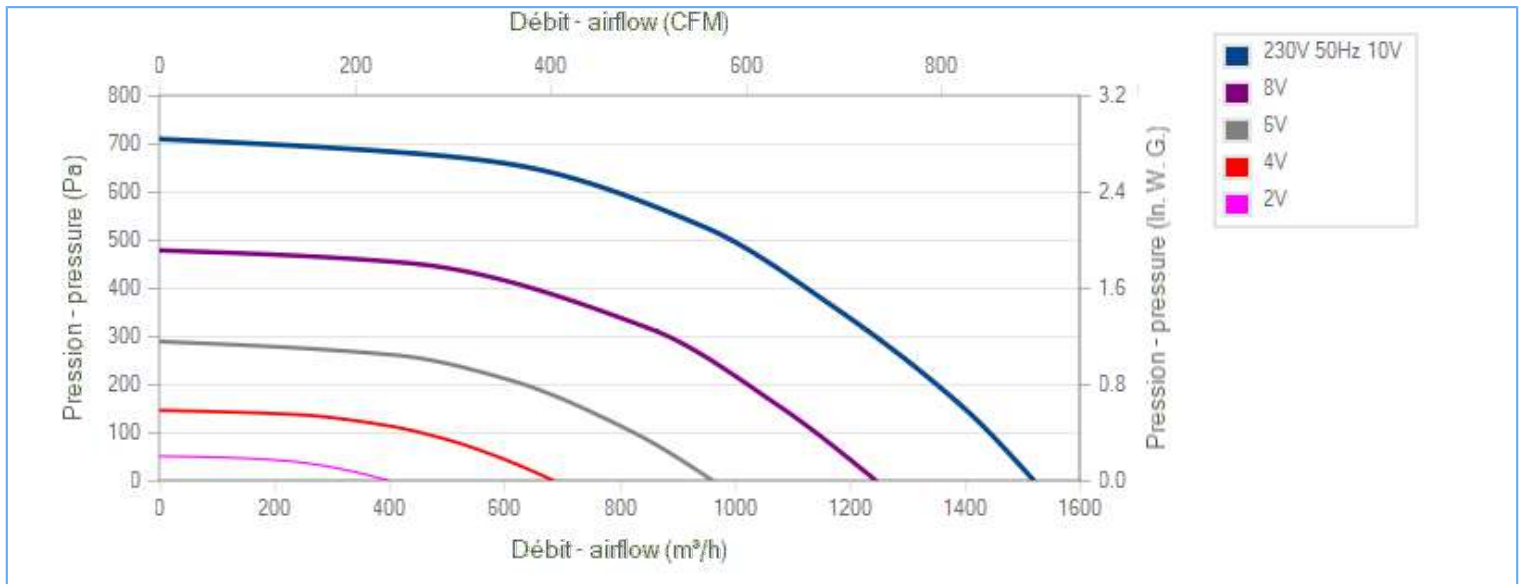
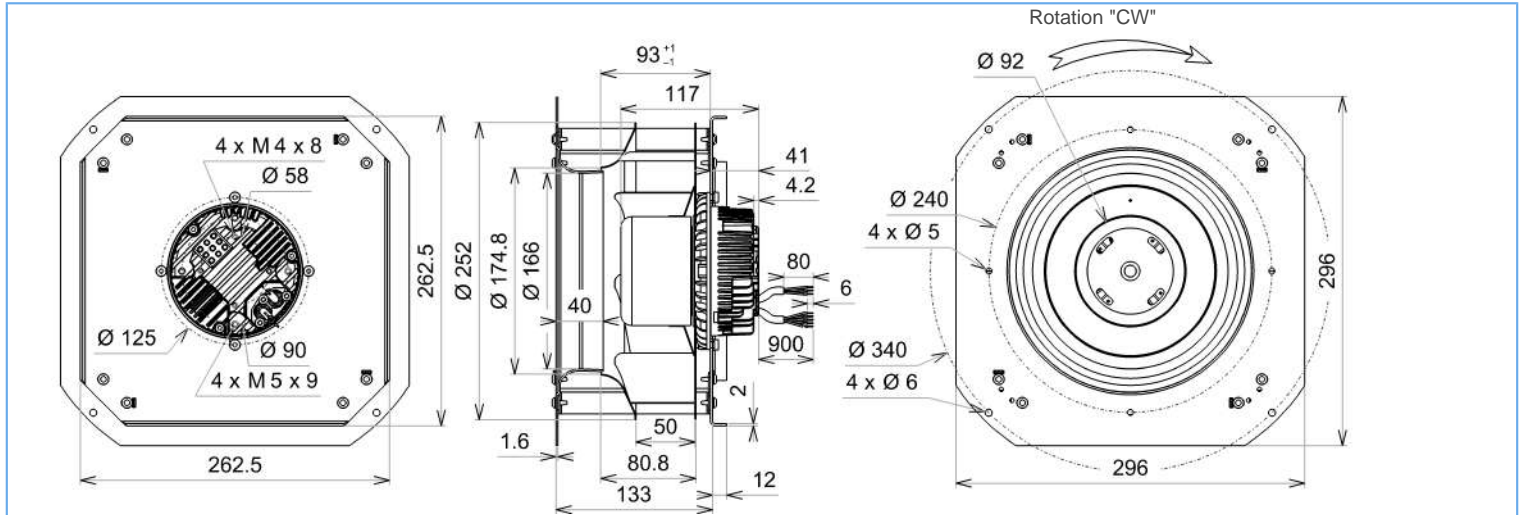
DATA SHEET

release. a - Revision 01-2018

Voltage	Frequency	Input Power	Input Current	Airflow	Rotation speed	Direction rotation	Admissible Temperature
V	Hz	W	A	m ³ /h	RPM		Min/Max
230	50/60	187	0,84	1520	3000	R	-20°C / +50°C
230	50/60			894 CFM			-4°F / 122°F

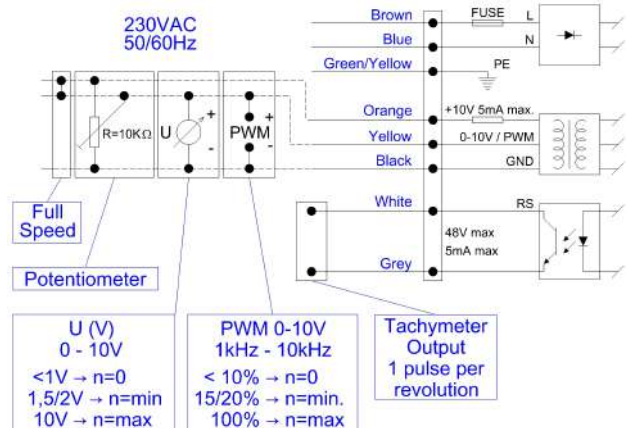


ErP 2013 OK ErP 2015 OK



Description

- .Weight : 3,5 Kg
- .Ball bearing
- .Class F, thermally protected
- .IP54 protection depending on installation and position as per EN60034-5
- .G2.5 balancing
- .Rotor electrolytic galvanizing protection
- .Galvanized steel impeller



Non contractual document. All specifications are subject to change without prior notice. Picture for information only.



RRMV8 250x50R

Q13-B2-1



DATA SHEET

release. a - Revision 01-2018

Data in accordance to ErP directive

Voltage	230	V
Frequency	50	Hz
Power	0,288	kW ⁽¹⁾
Airflow	950	m ³ /h ⁽¹⁾
Pressure	525	Pa ⁽¹⁾
Rotation speed	3005	RPM ⁽¹⁾

(1) at optimal efficiency point

	Actual	Request 2013	Request 2015
Overall efficiency (η)	54,1	41,8	45,8
Efficiency grade	70	58	62
Installation category	A		
Efficiency category	static		
Variable speed drive	Yes		
Specific ratio	1,00		

Designed for regular application according ErP directive EU 2009/125/EC

Accessories

21360

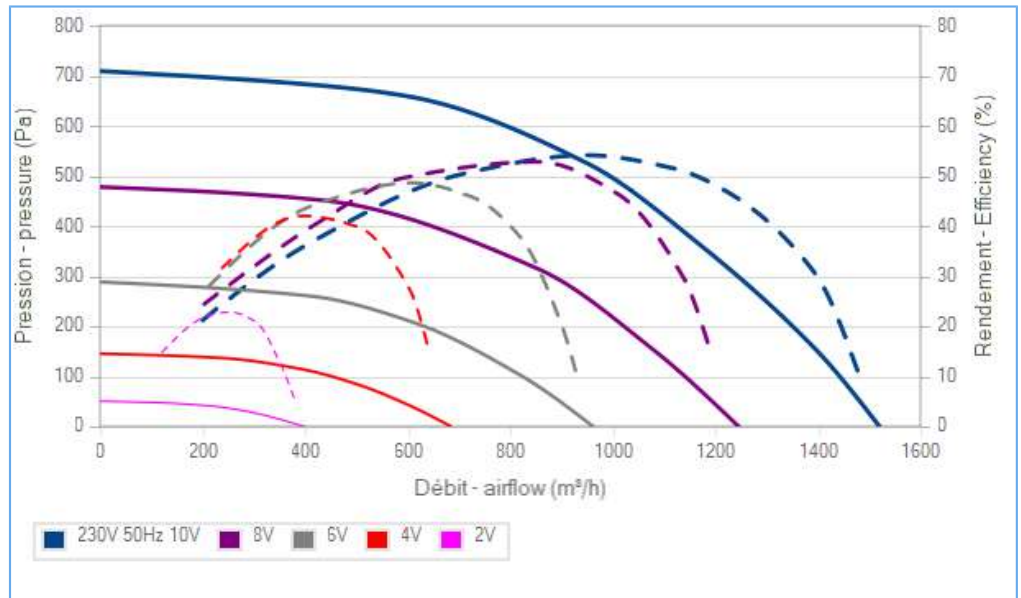
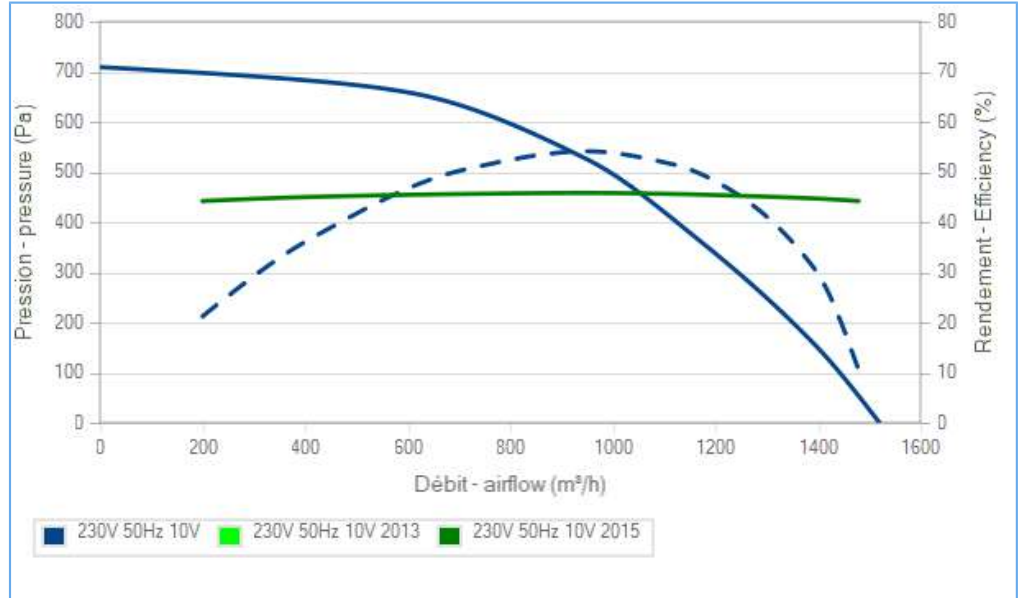
Measurement setup

16234

Documents

Manuel d'utilisation
www.ecofit.com/site/normes

Operating and recycling manual
www.ecofit.com/anglais/normes



La courbe de rendement intègre le facteur de compensation de charge partielle du règlement (UE) n°327/2011
 The efficiency curve includes part load compensation factor of regulation (EU) n°327/2011



Non contractual document. All specifications are subject to change without prior notice. Picture for information only.



RRMuG9 225x63R

Q17-A3-1



DATA SHEET

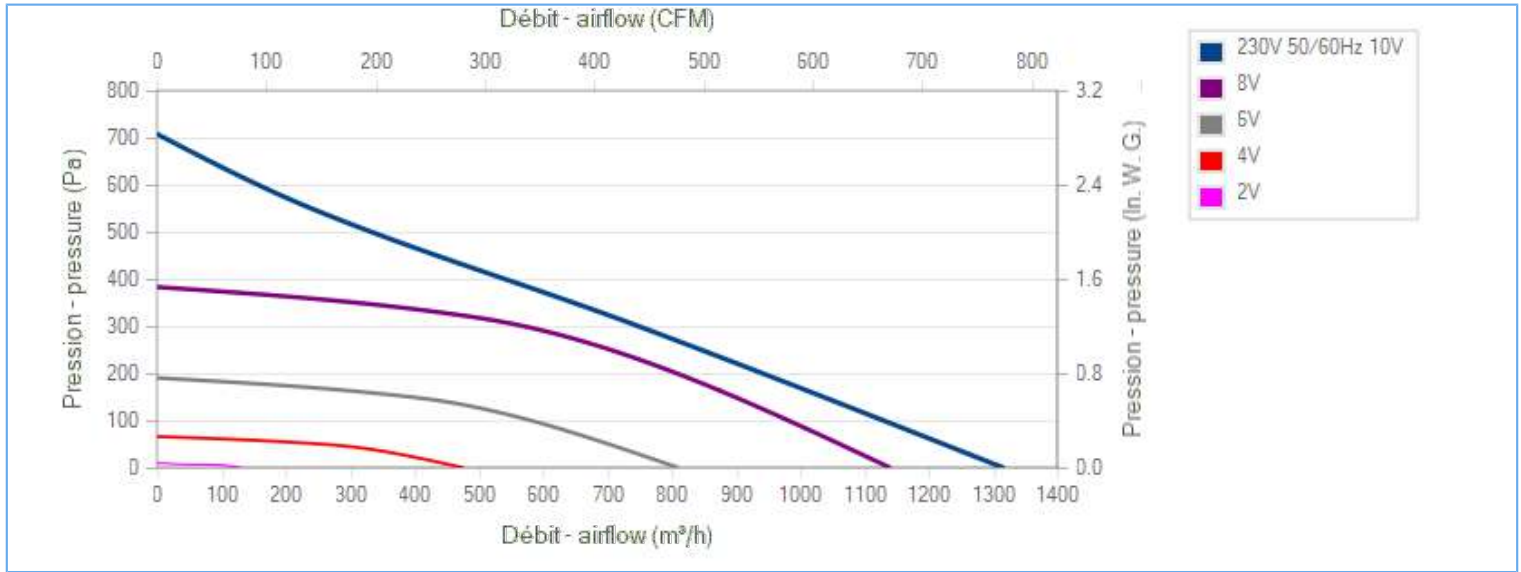
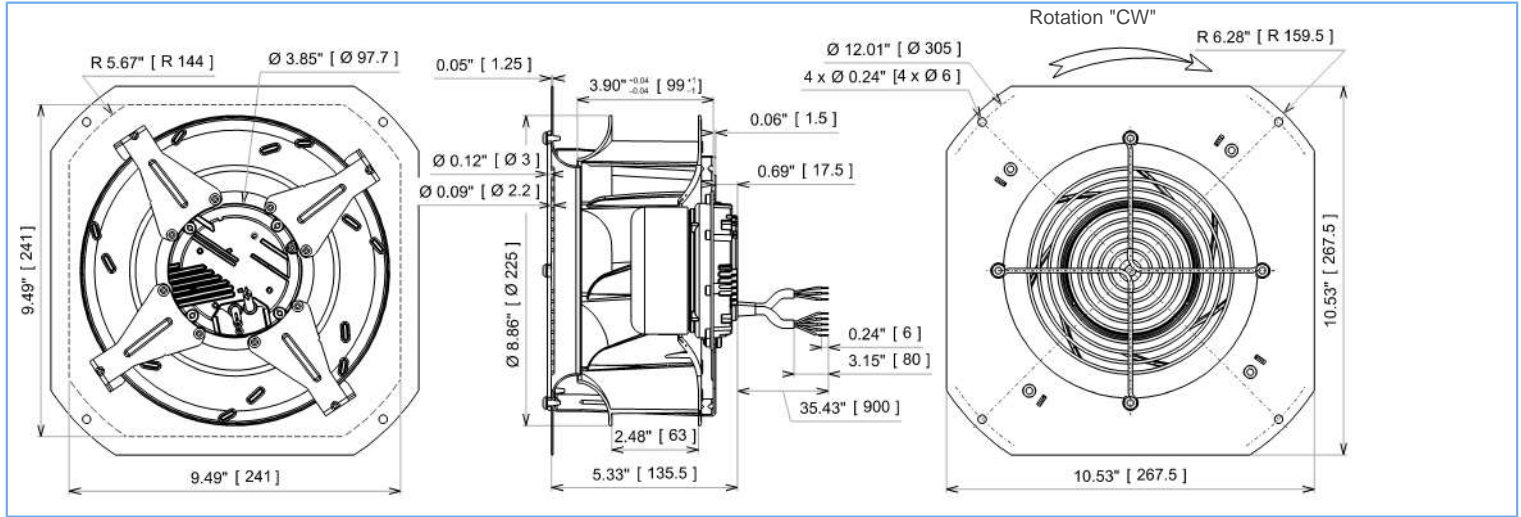
release. b - Revision 02-2018

Voltage	Frequency	Input Power	Input Current	Airflow	Rotation speed	Acoustic level	Direction rotation	Admissible Temperature
V	Hz	W	A	m ³ /h	RPM	dBA	↻	Min/Max
230	50/60	150	1,18	1315	2860	71	R	-20°C / +50°C
230	50/60			774 CFM				-4°F / 122°F

dBA : free blowing

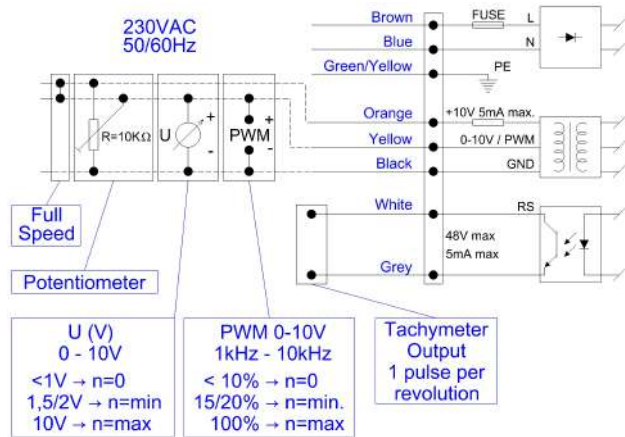
ErP 2013 **OK**

ErP 2015 **OK**



Description

- .Weight : 3,0 Kg
- .Ball bearing
- .Insulation Class F
- .IP4x may be IP44 according to EN60034-5 after checking the integration into the customer appliance
- .G2.5 balancing
- .Rotor : black paint
- .PA 6/6 UL 94 V-0 plastic impeller
- .Motor - UL Recognized component





DATA SHEET

release. b - Revision 02-2018

Data in accordance to ErP directive

Voltage	230	V
Frequency	50	Hz
Power	0,150	kW ⁽¹⁾
Airflow	744	m ³ /h ⁽¹⁾
Pressure	302	Pa ⁽¹⁾
Rotation speed	2571	RPM ⁽¹⁾

(1) at optimal efficiency point

	Actual	Request 2013	Request 2015
Overall efficiency (η)	47,7	38,8	42,8
Efficiency grade	67	58	62
Installation category	A		
Efficiency category	static		
Variable speed drive	Yes		
Specific ratio	1,00		

Designed for regular application according ErP directive EU 2009/125/EC

Accessories

Measurement setup

16241

Documents

Manuel d'utilisation
www.ecofit.com/site/normes

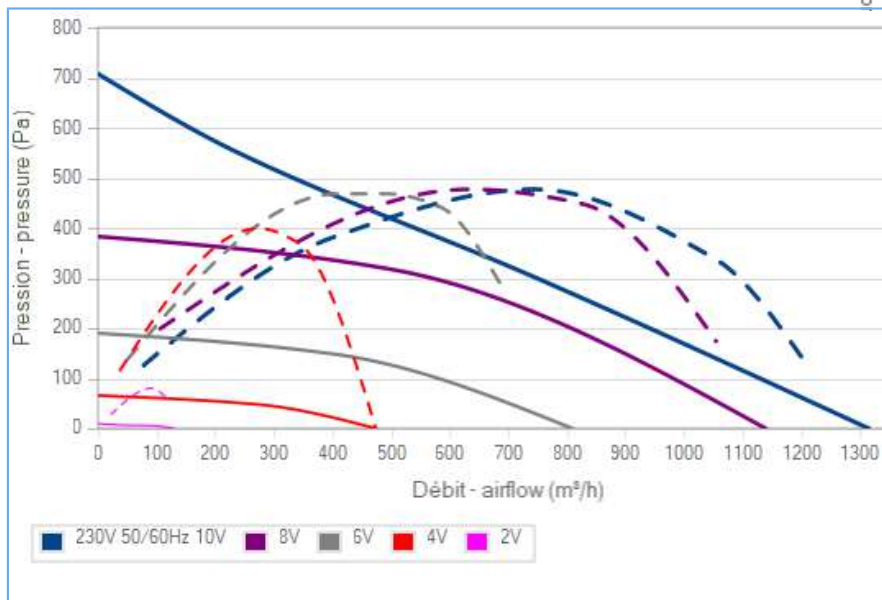
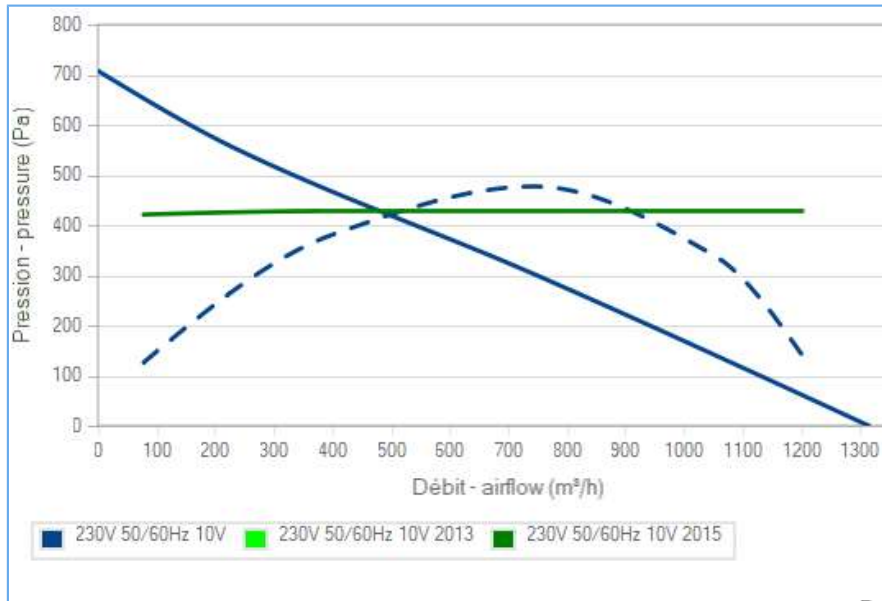
Operating and recycling manual
www.ecofit.com/anglais/normes



IEC 60335-2-80:2002 + A1:2004 +
 IEC 60335-1:2010
 EN 60335-2-80:2003 + A1:2004 + A2:2009 +
 EN 60335-1:2012
 RT9192CE



UL1004-1, 2nd edition "rotating electrical machine"
 UL1004-3, 1st edition "thermally protected motors"
 UL1004-7, 2nd edition "electronically protected motors"
 C22.2 N°100-04, 6th edition "motors and generator"
 C22.2 N°77-95, 7th edition "motors with inherent overheating protection"
 UL Motor Model : RT9192
 File Number : E326930 XDNW2,8



La courbe de rendement intègre le facteur de compensation de charge partielle du règlement (UE) n°327/2011
 The efficiency curve includes part load compensation factor of regulation (EU) n°327/2011



RREuV8 250x50R

R10-A4-1



DATA SHEET

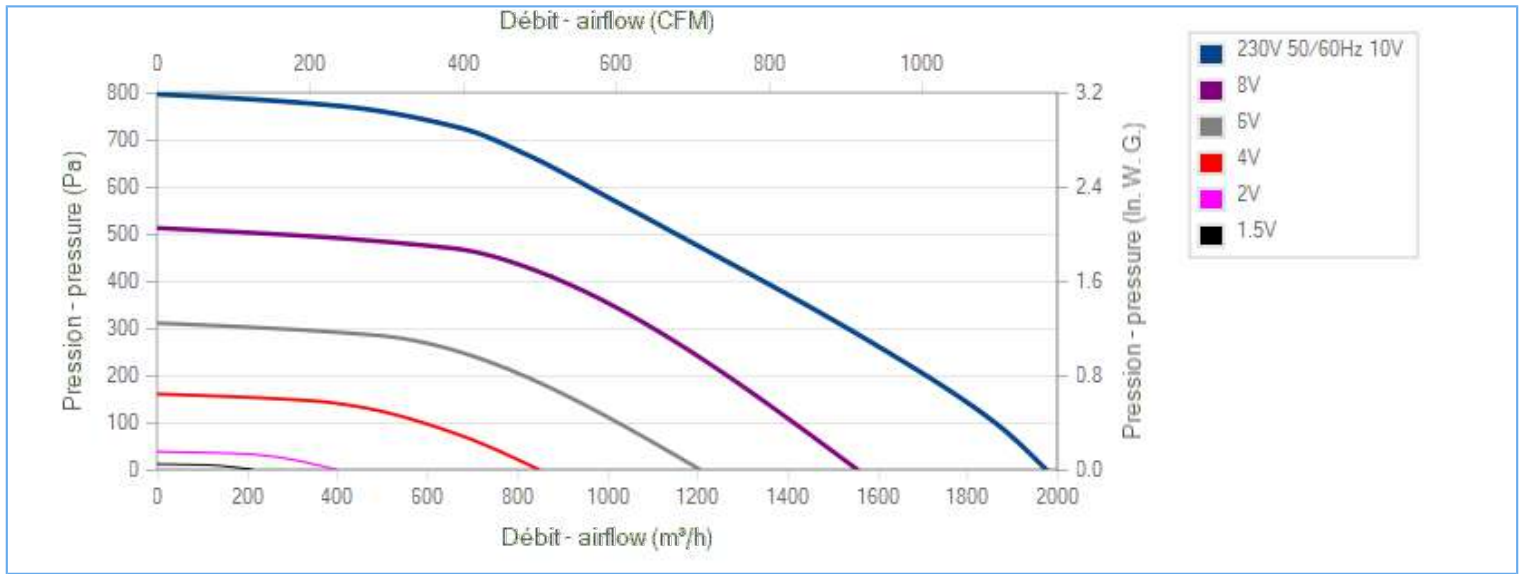
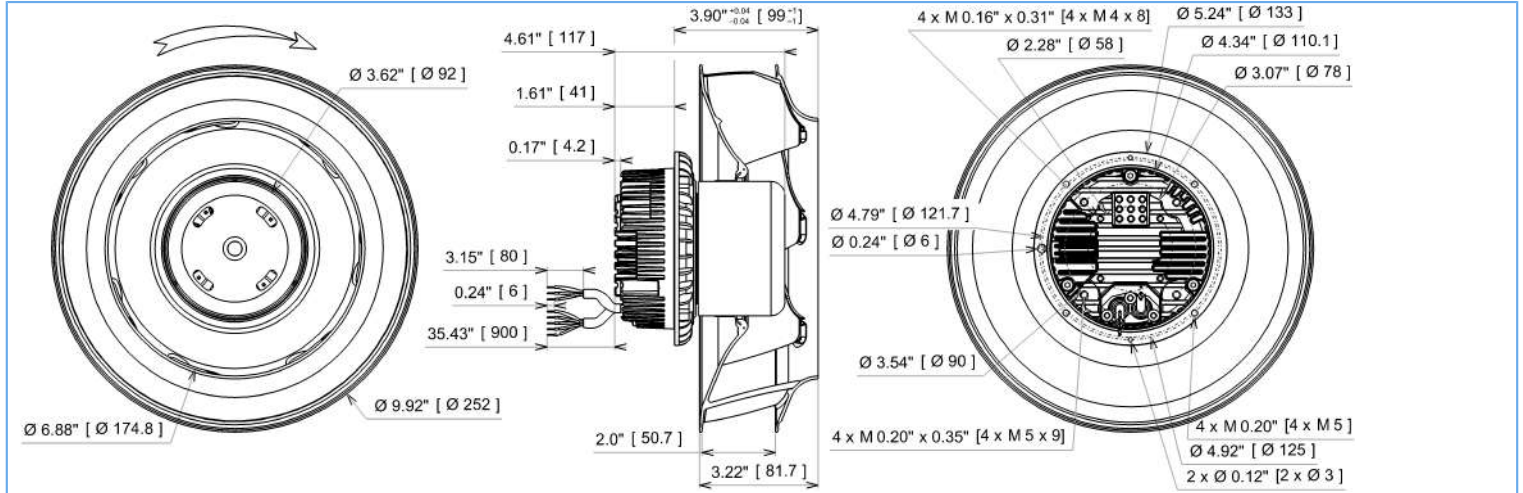
release. 0 - Revision 07-2018

Voltage	Frequency	Input Power	Input Current	Airflow	Rotation speed	Acoustic level	Direction rotation	Admissible Temperature
V	Hz	W	A	m ³ /h	RPM	dBA	↻	Min/Max
230	50/60	266	1,19	1975	3390		R	-25°C / +50°C
230	50/60			1162 CFM				-13°F / 122°F

dBA : free blowing

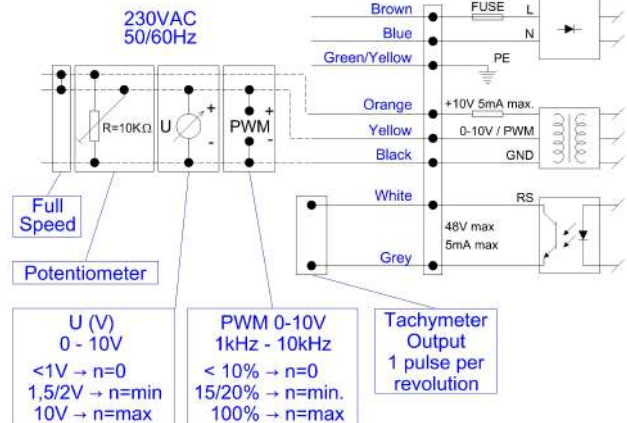
ErP 2013 **OK**

ErP 2015 **OK**



Description

- .Ball bearing
- .Class F, thermally protected
- .IP54 protection depending on installation and position as per EN60034-5
- .G2.5 balancing
- .Rotor electrolytic galvanizing protection
- .PA 6/6 UL 94 V-0 plastic impeller





RREuV8 250x50R

R10-A4-1



DATA SHEET

release. 0 - Revision 07-2018

Data in accordance to ErP directive

Voltage	230	V
Frequency	50	Hz
Power	0,300	kW ⁽¹⁾
Airflow	1015	m ³ /h ⁽¹⁾
Pressure	571	Pa ⁽¹⁾
Rotation speed	3204	RPM ⁽¹⁾

(1) at optimal efficiency point

	Actual	Request 2013	Request 2015
Overall efficiency (η)	60,3	42	46
Efficiency grade	76	58	62
Installation category	A		
Efficiency category	static		
Variable speed drive	Yes		
Specific ratio	1,00		

Designed for regular application according ErP directive EU 2009/125/EC

Accessories

16234

21360

Measurement setup

16234

Documents

Manuel d'utilisation
www.ecofit.com/site/normes

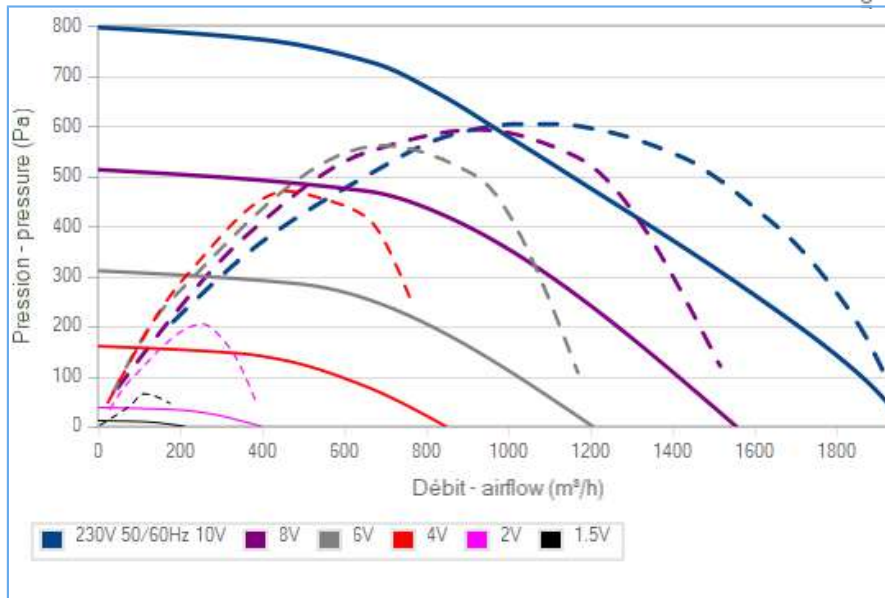
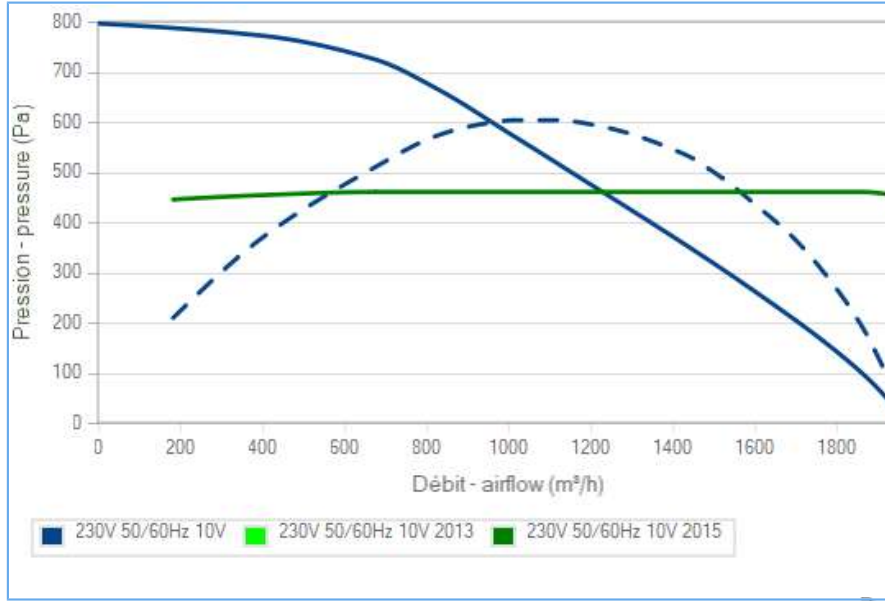
Operating and recycling manual
www.ecofit.com/anglais/normes



IEC 60335-2-80:2002 + A1:2004 +
 IEC 60335-1:2010
 EN 60335-2-80:2003 + A1:2004 + A2:2009 +
 EN 60335-1:2012
 RT9382CE



UL1004-1, 2nd edition "rotating electrical machine"
 UL1004-3, 1st edition "thermally protected motors"
 UL1004-7, 2nd edition "electronically protected motors"
 C22.2 N°100-04, 6th edition "motors and generator"
 C22.2 N°77-95, 7th edition "motors with inherent overheating protection"
 UL Motor Model : RT9382
 File Number : E326930 XDNW2,8



La courbe de rendement intègre le facteur de compensation de charge partielle du règlement (UE) n°327/2011
 The efficiency curve includes part load compensation factor of regulation (EU) n°327/2011



RRMG9 250x50R

R13-A2-1

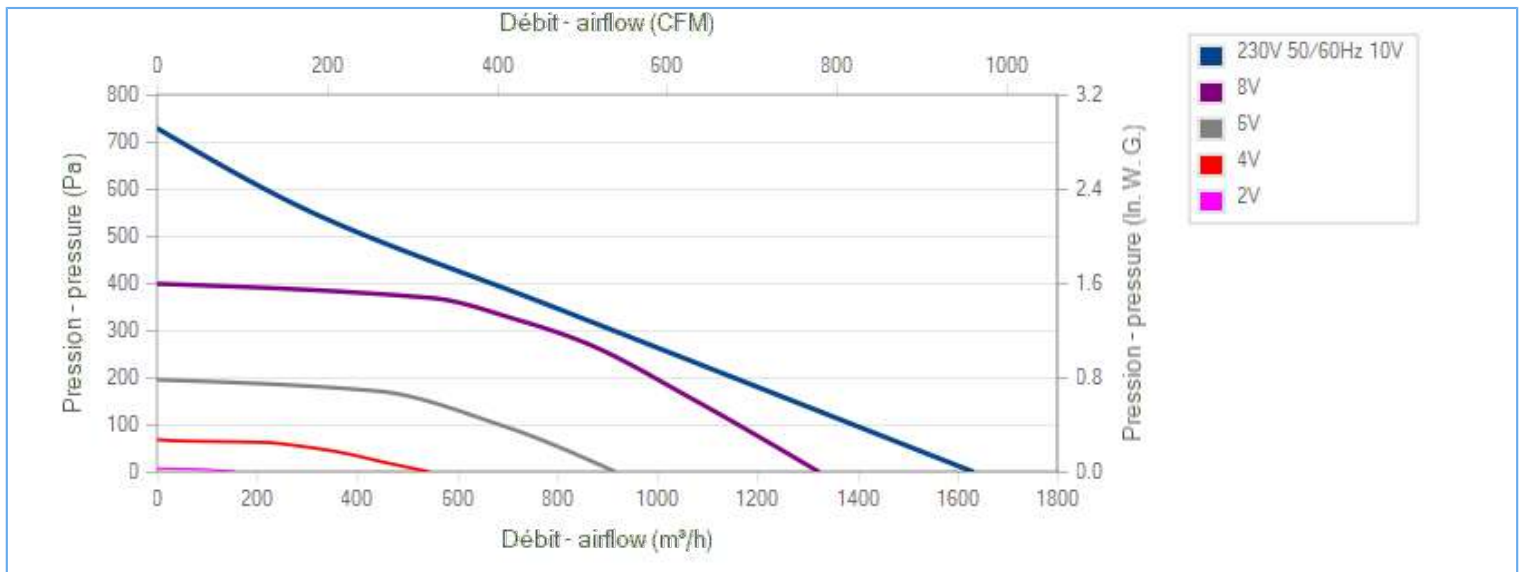
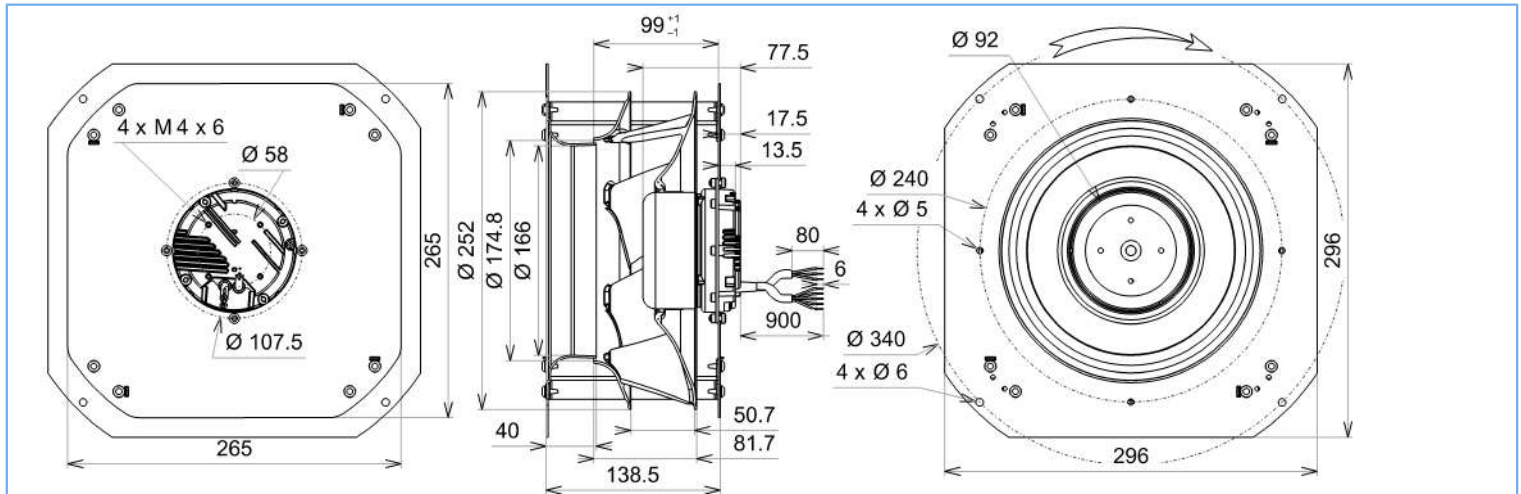


DATA SHEET

release. b - Revision 05-2018

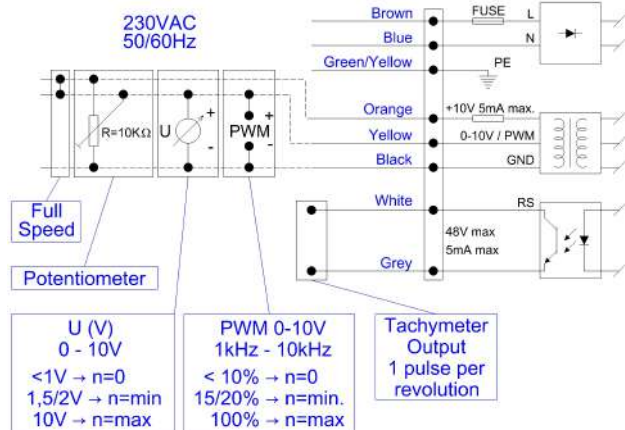
Voltage	Frequency	Input Power	Input Current	Airflow	Rotation speed	Direction rotation	Admissible Temperature
V	Hz	W	A	m ³ /h	RPM		Min/Max
230	50/60	150	1,19	1630	2965	R	-20°C / +50°C
230	50/60			959 CFM			-4°F / 122°F

ErP 2013 OK ErP 2015 OK



Description

- .Ball bearing
- .Insulation Class F
- .IP4x may be IP44 according to EN60034-5 after checking the integration into the customer appliance
- .G2.5 balancing
- .Rotor : black paint
- .PA 6/6 UL 94 V-0 plastic impeller





RRMG9 250x50R

R13-A2-1



DATA SHEET

release. b - Revision 05-2018

Data in accordance to ErP directive

Voltage	230	V
Frequency	50	Hz
Power	0,150	kW ⁽¹⁾
Airflow	837	m ³ /h ⁽¹⁾
Pressure	330	Pa ⁽¹⁾
Rotation speed	2526	RPM ⁽¹⁾

(1) at optimal efficiency point

	Actual	Request 2013	Request 2015
Overall efficiency (η)	58,6	38,8	42,8
Efficiency grade	78	58	62
Installation category	A		
Efficiency category	static		
Variable speed drive	Yes		
Specific ratio	1,00		

Designed for regular application according ErP directive EU 2009/125/EC

Accessories

21360

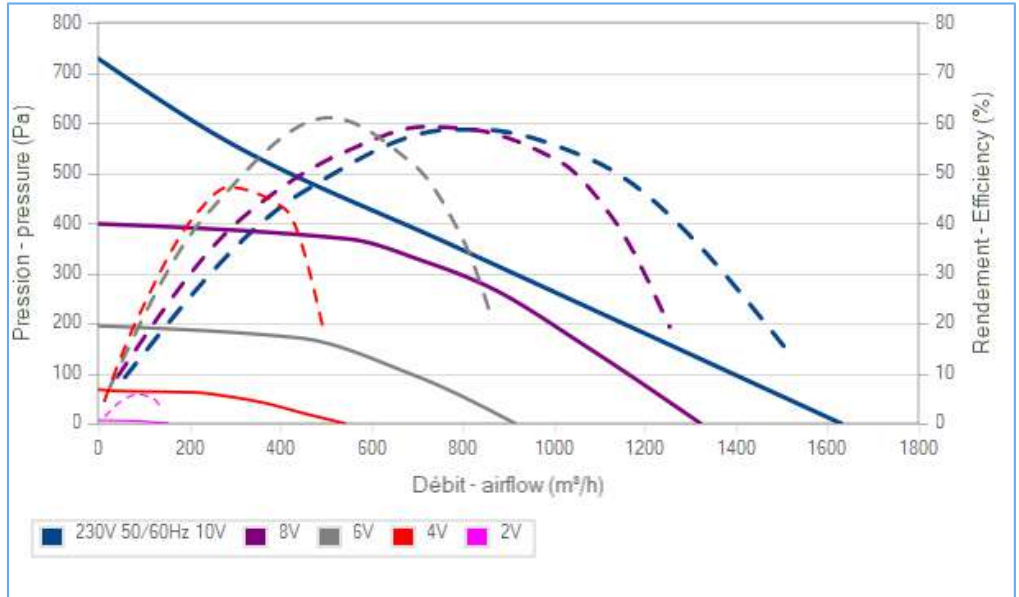
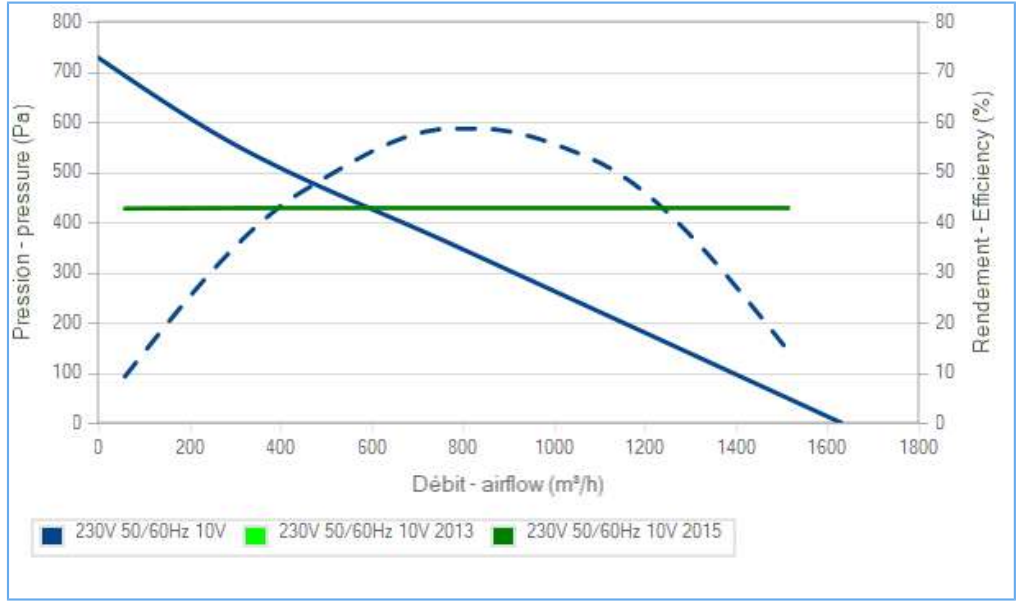
Measurement setup

16234

Documents

Manuel d'utilisation
www.ecofit.com/site/normes

Operating and recycling manual
www.ecofit.com/anglais/normes



La courbe de rendement intègre le facteur de compensation de charge partielle du règlement (UE) n°327/2011
 The efficiency curve includes part load compensation factor of regulation (EU) n°327/2011

CE IEC 60335-2-80:2002 + A1:2004 + IEC 60335-1:2010
 EN 60335-2-80:2003 + A1:2004 + A2:2009 + EN 60335-1:2012
 RT9192CE

Non contractual document. All specifications are subject to change without prior notice. Picture for information only.



RRMV8 280x80R

R25-A1-1

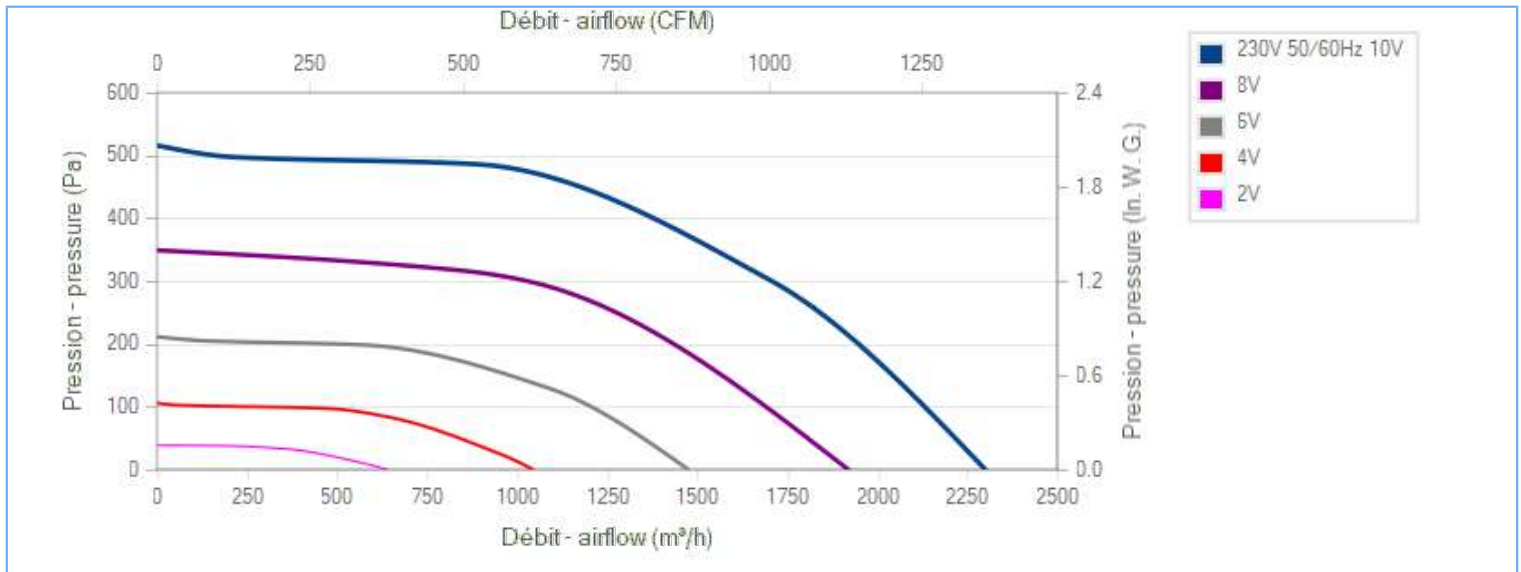
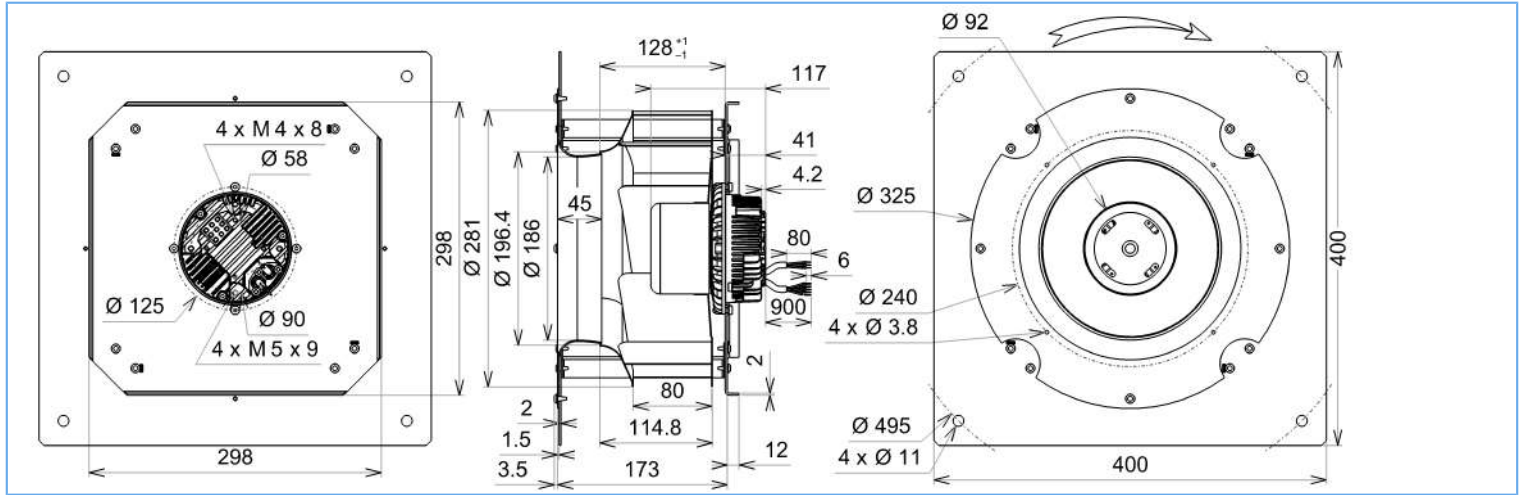


DATA SHEET

release. b - Revision 07-2018

Voltage	Frequency	Input Power	Input Current	Airflow	Rotation speed	Direction rotation	Admissible Temperature
V	Hz	W	A	m ³ /h	RPM		Min/Max
230	50/60	181	0,82	2300	2310	R	-20°C / +60°C
230	50/60	1353 CFM					-4°F / 140°F

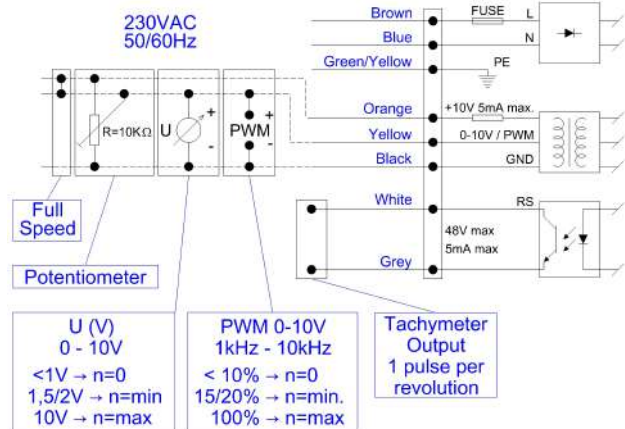
ErP 2013 OK ErP 2015 OK



Tested with ECOFIT ring

Description

- .Weight : 7,1 Kg
- .Ball bearing
- .Insulation Class F
- .IP54 protection depending on installation and position as per EN60034-5
- .G2.5 balancing
- .Rotor electrolytic galvanizing protection
- .Galvanized steel impeller



Non contractual document. All specifications are subject to change without prior notice. Picture for information only.



RRMV8 280x80R

R25-A1-1



DATA SHEET

release. b - Revision 07-2018

Data in accordance to ErP directive

Voltage	230	V
Frequency	50	Hz
Power	0,298	kW ⁽¹⁾
Airflow	1442	m ³ /h ⁽¹⁾
Pressure	382	Pa ⁽¹⁾
Rotation speed	2282	RPM ⁽¹⁾

(1) at optimal efficiency point

	Actual	Request 2013	Request 2015
Overall efficiency (η)	57,9	42	46
Efficiency grade	74	58	62
Installation category	A		
Efficiency category	static		
Variable speed drive	Yes		
Specific ratio	1,00		

Designed for regular application according ErP directive EU 2009/125/EC

Accessories

21360

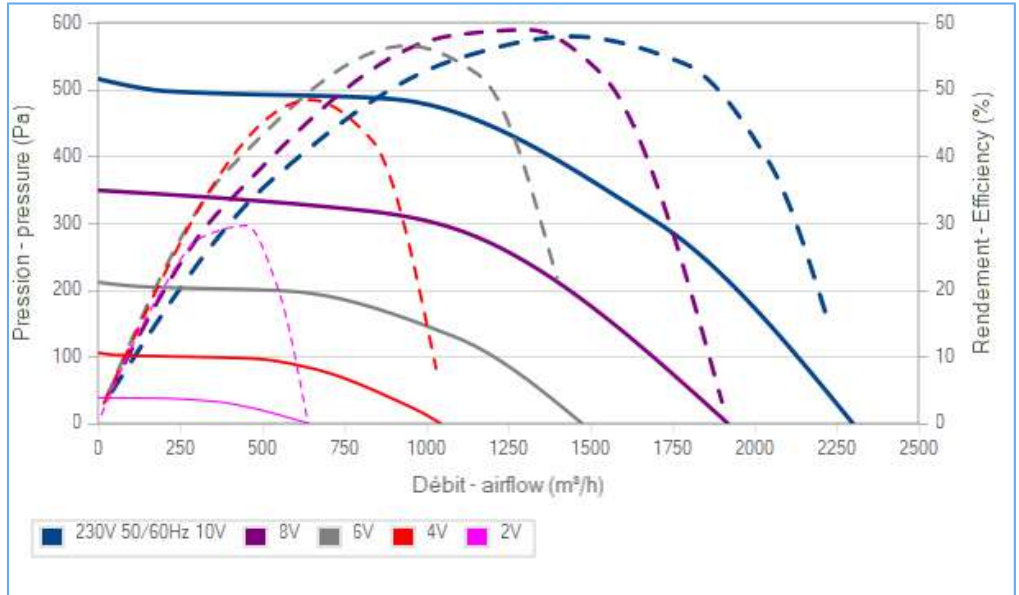
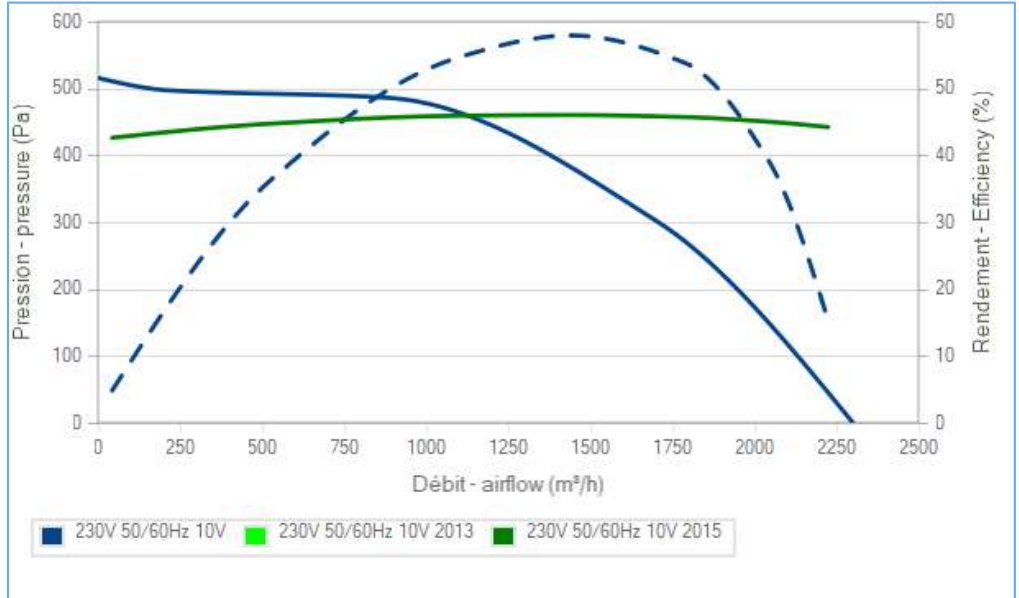
Measurement setup

ED11

Documents

Manuel d'utilisation
www.ecofit.com/site/normes

Operating and recycling manual
www.ecofit.com/anglais/normes



La courbe de rendement intègre le facteur de compensation de charge partielle du règlement (UE) n°327/2011
 The efficiency curve includes part load compensation factor of regulation (EU) n°327/2011



Non contractual document. All specifications are subject to change without prior notice. Picture for information only.



RREV8 280x65R

R28-B3-1

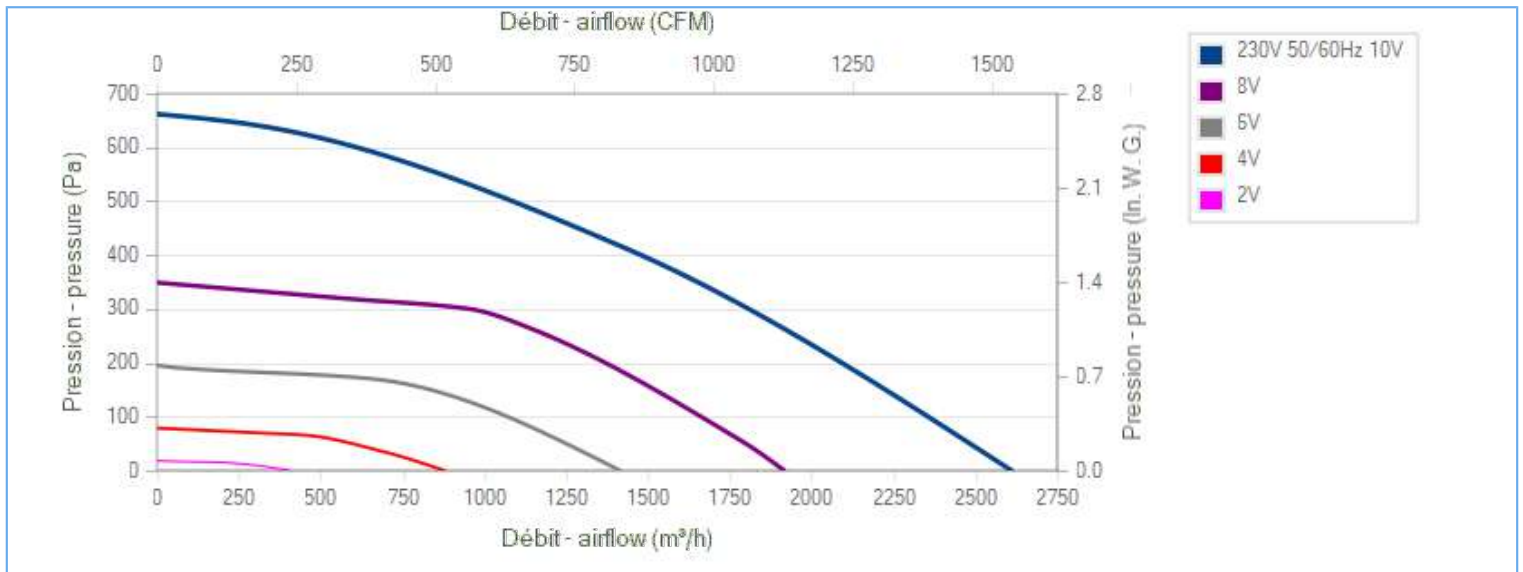
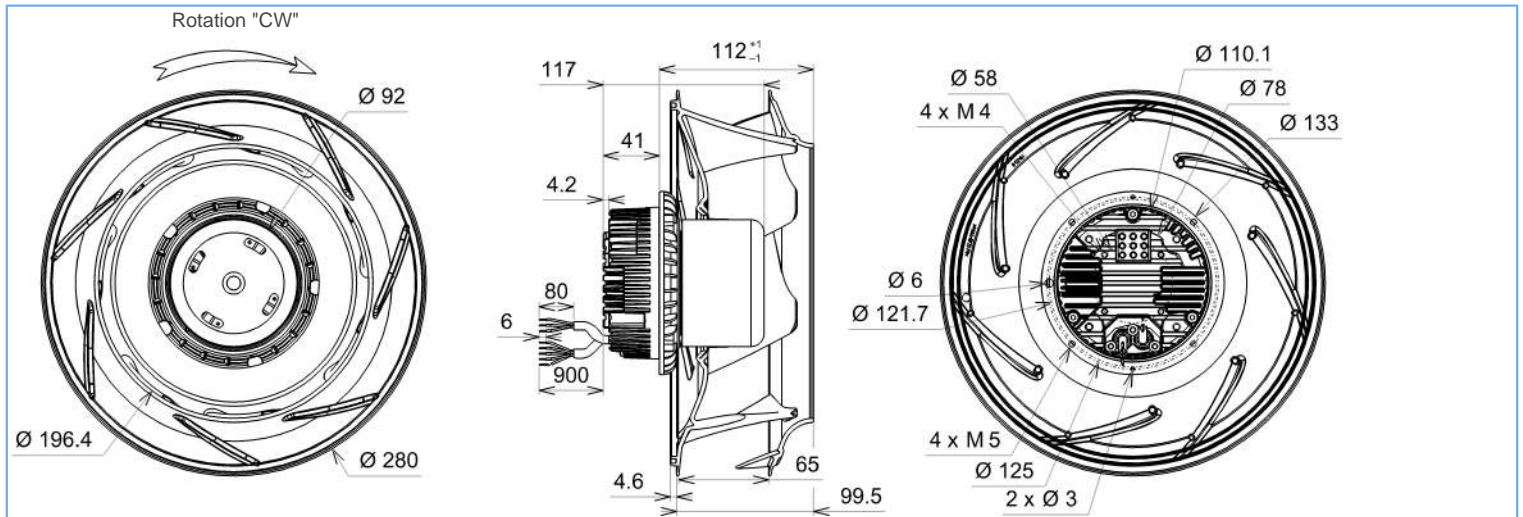


DATA SHEET

release. a - Revision 11-2017

Voltage	Frequency	Input Power	Input Current	Airflow	Rotation speed	Direction rotation	Admissible Temperature
V	Hz	W	A	m ³ /h	RPM		Min/Max
230	50/60	291	1,29	2610	2860	R	-20°C / +60°C
230	50/60	1536 CFM					-4°F / 140°F

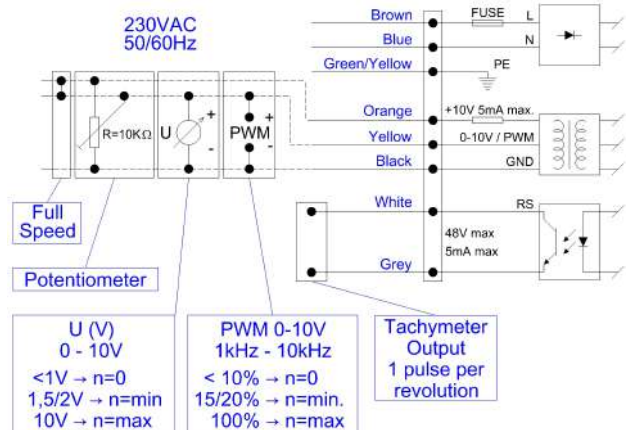
ErP 2013 OK ErP 2015 OK



Tested with ECOFIT ring

Description

- .Weight : 3,2 Kg
- .Ball bearing
- .Insulation Class F
- .IP54 protection depending on installation and position as per EN60034-5
- .G2.5 balancing
- .PA 6/6 UL 94 V-0 plastic impeller
- .Rotor electrolytic galvanizing protection





RREV8 280x65R

R28-B3-1



DATA SHEET

release. a - Revision 11-2017

Data in accordance to ErP directive

Voltage	230	V
Frequency	50	Hz
Power	0,300	kW ⁽¹⁾
Airflow	1424	m ³ /h ⁽¹⁾
Pressure	414	Pa ⁽¹⁾
Rotation speed	2623	RPM ⁽¹⁾

(1) at optimal efficiency point

	Actual	Request 2013	Request 2015
Overall efficiency (η)	61,4	42	46
Efficiency grade	77	58	62
Installation category	A		
Efficiency category	static		
Variable speed drive	Yes		
Specific ratio	1,00		

Designed for regular application according ErP directive EU 2009/125/EC

Accessories

- 16254
- 21360

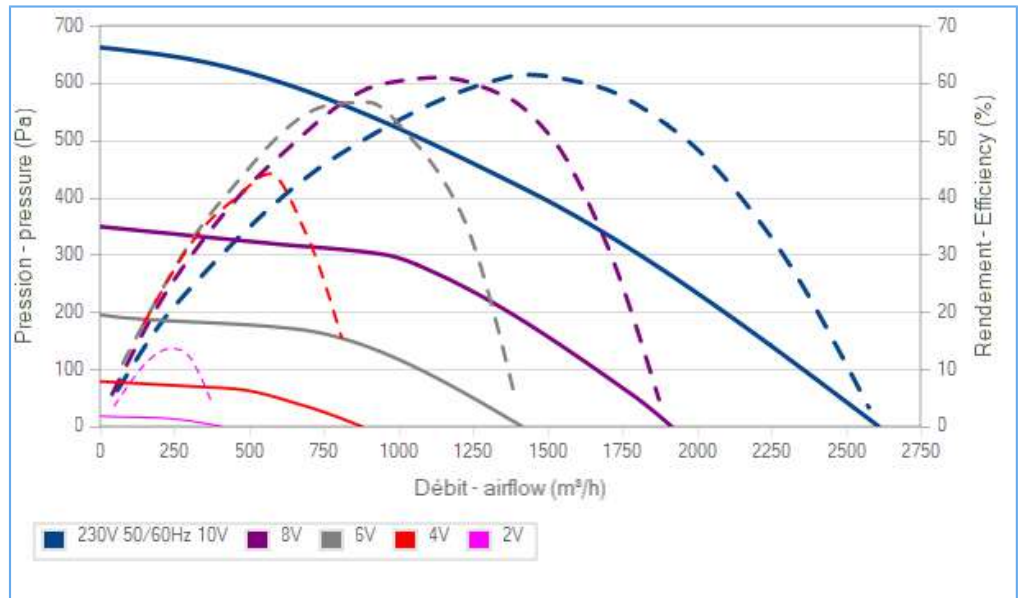
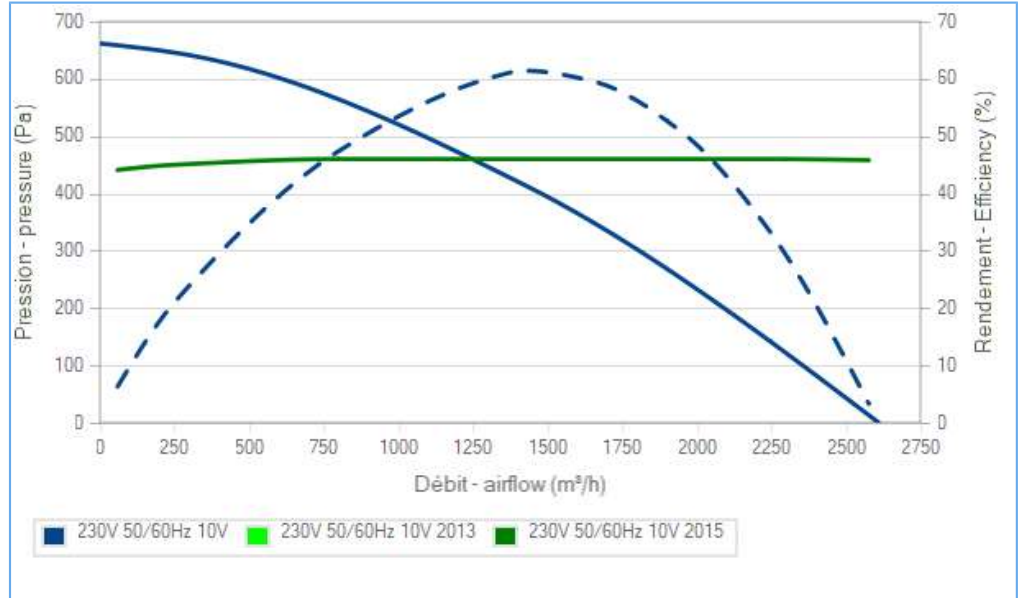
Measurement setup

ED11

Documents

Manuel d'utilisation
www.ecofit.com/site/normes

Operating and recycling manual
www.ecofit.com/anglais/normes



La courbe de rendement intègre le facteur de compensation de charge partielle du règlement (UE) n°327/2011
 The efficiency curve includes part load compensation factor of regulation (EU) n°327/2011



Non contractual document. All specifications are subject to change without prior notice. Picture for information only.



RRMV8 280x65R

R28-B4-1



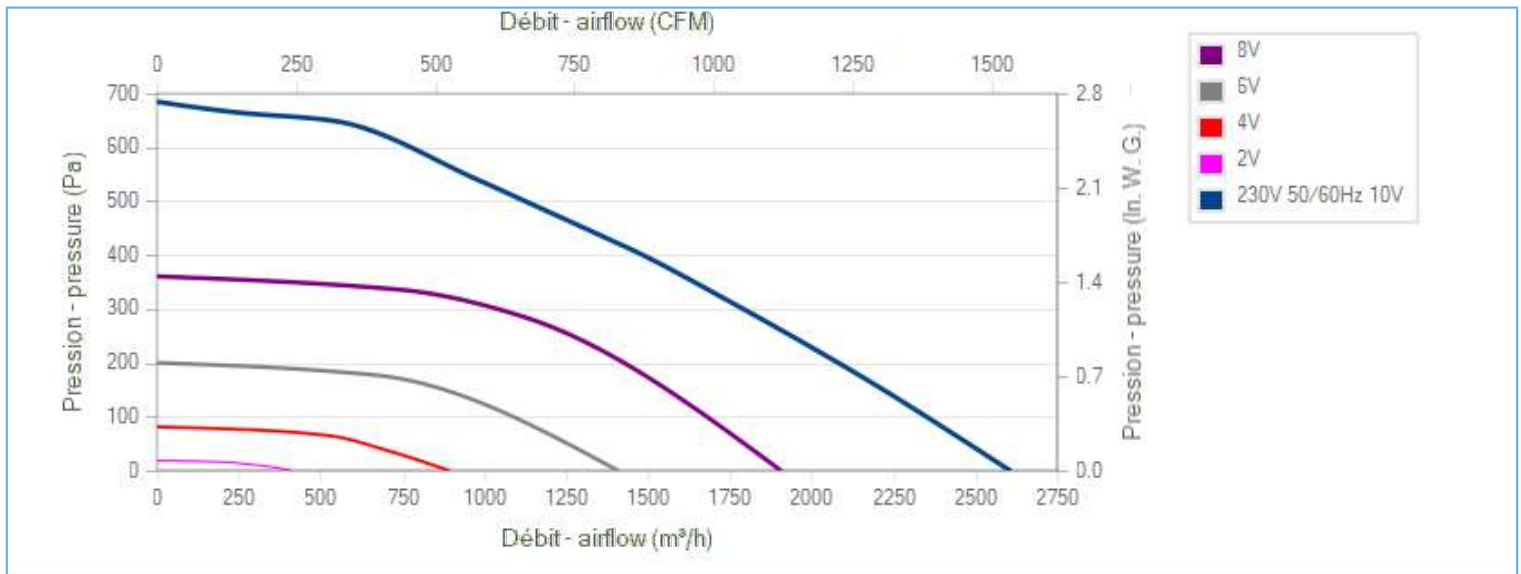
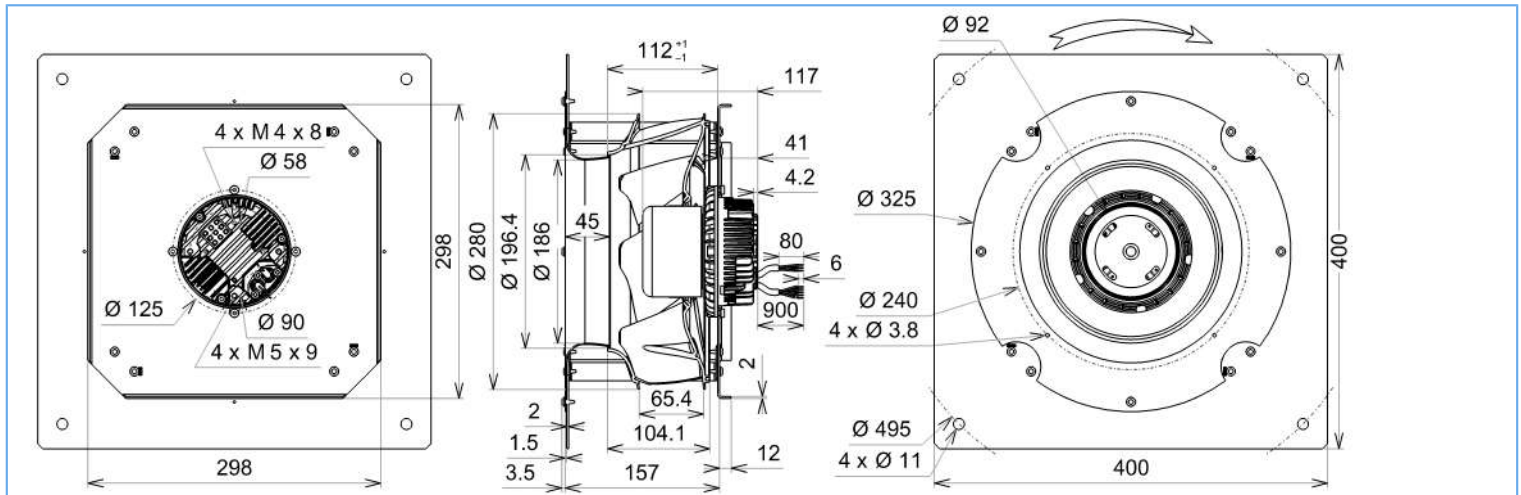
DATA SHEET

release. b - Revision 07-2018

Voltage	Frequency	Input Power	Input Current	Airflow	Rotation speed	Direction rotation	Admissible Temperature
V	Hz	W	A	m ³ /h	RPM		Min/Max
230	50/60	300	1,32	2605	2880	R	-20°C / +60°C
230	50/60			1533 CFM			-4°F / 140°F



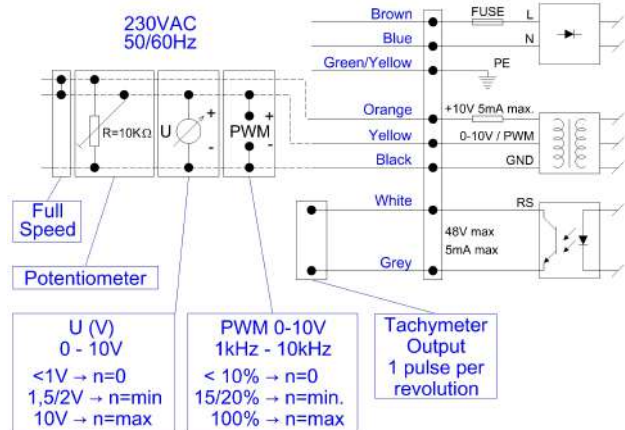
ErP 2013 OK ErP 2015 OK



Tested with ECOFIT ring

Description

- .Weight : 7,0 Kg
- .Ball bearing
- .Insulation Class F
- .IP54 protection depending on installation and position as per EN60034-5
- .G2.5 balancing
- .Rotor electrolytic galvanizing protection
- .PA 6/6 UL 94 V-0 plastic impeller



Non contractual document. All specifications are subject to change without prior notice. Picture for information only.



RRMV8 280x65R

R28-B4-1



DATA SHEET

release. b - Revision 07-2018

Data in accordance to ErP directive

Voltage	230	V
Frequency	50	Hz
Power	0,300	kW ⁽¹⁾
Airflow	1490	m ³ /h ⁽¹⁾
Pressure	398	Pa ⁽¹⁾
Rotation speed	2591	RPM ⁽¹⁾

(1) at optimal efficiency point

	Actual	Request 2013	Request 2015
Overall efficiency (η)	61,8	42	46
Efficiency grade	78	58	62
Installation category	A		
Efficiency category	static		
Variable speed drive	Yes		
Specific ratio	1,00		

Designed for regular application according ErP directive EU 2009/125/EC

Accessories

21360

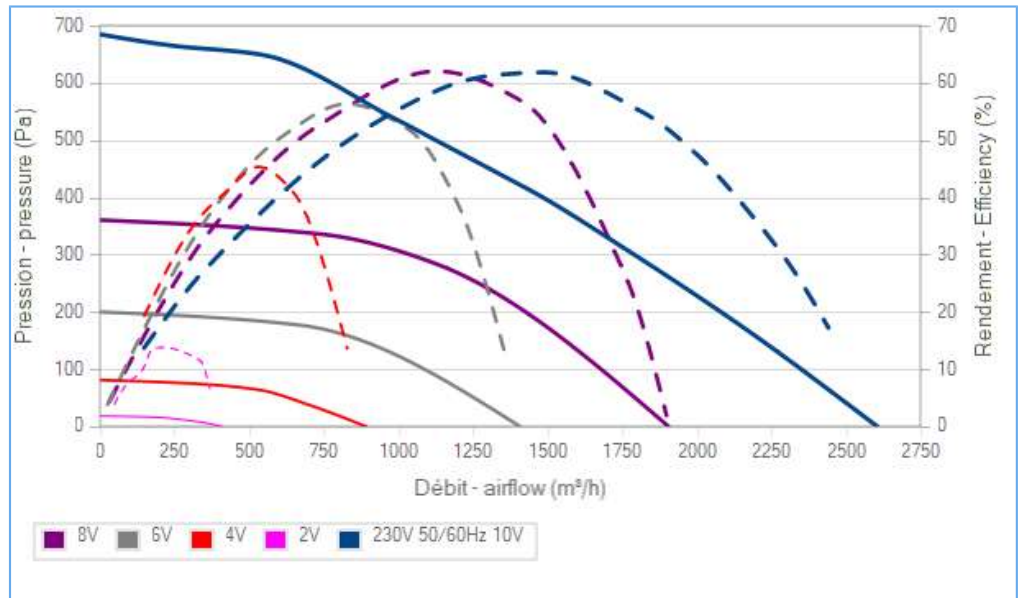
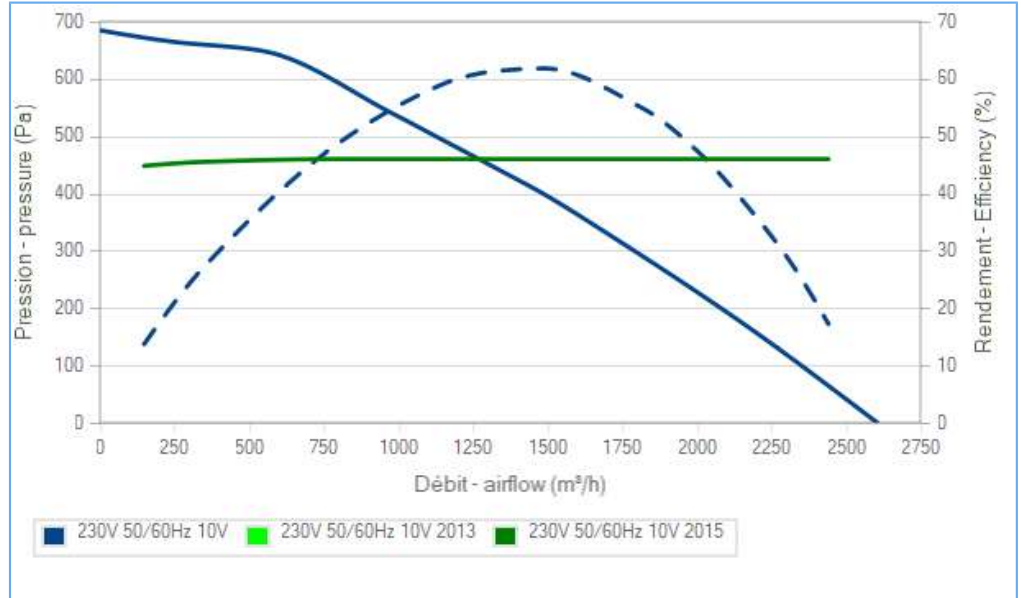
Measurement setup

16254

Documents

Manuel d'utilisation
www.ecofit.com/site/normes

Operating and recycling manual
www.ecofit.com/anglais/normes



La courbe de rendement intègre le facteur de compensation de charge partielle du règlement (UE) n°327/2011
 The efficiency curve includes part load compensation factor of regulation (EU) n°327/2011



Non contractual document. All specifications are subject to change without prior notice. Picture for information only.



RREuV8 280x80R

R29-A-2-1

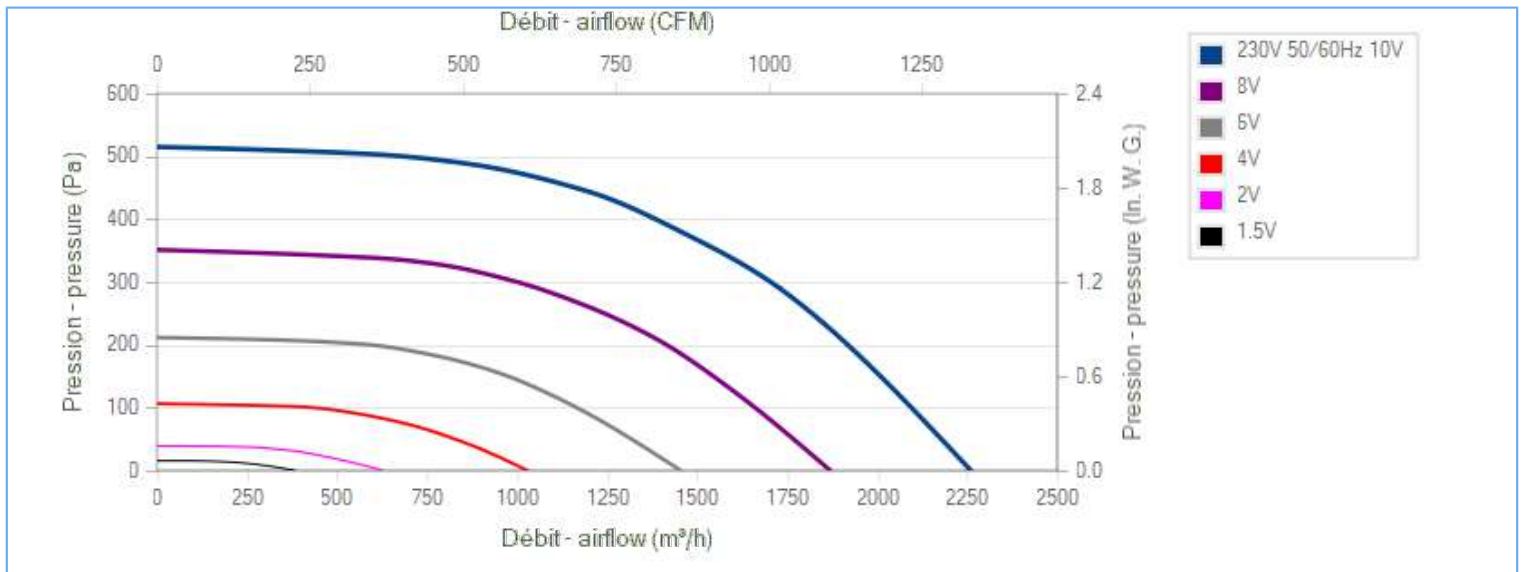
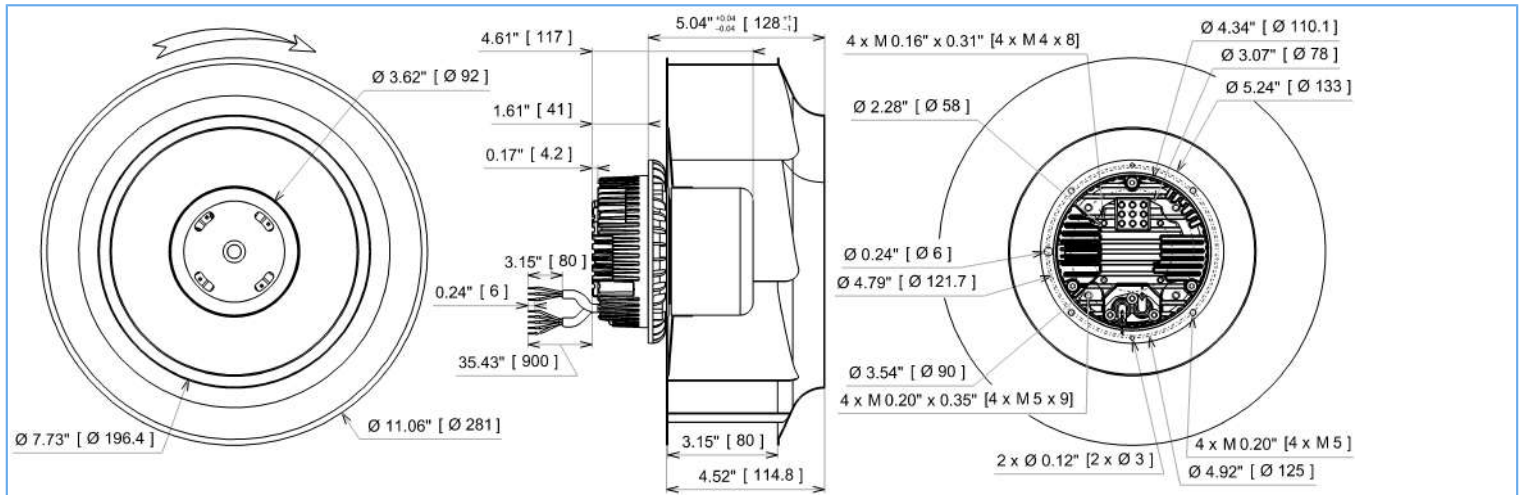


DATA SHEET

release. a - Revision 07-2018

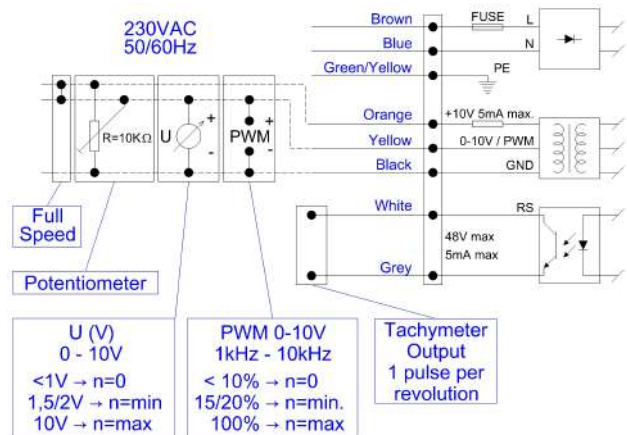
Voltage	Frequency	Input Power	Input Current	Airflow	Rotation speed	Direction rotation	Admissible Temperature
V	Hz	W	A	m ³ /h	RPM		Min/Max
230	50/60	170	0,77	2260	2305	R	-25°C / +60°C
230	50/60			1330 CFM			-13°F / 140°F

ErP 2013 OK ErP 2015 OK



Description

- .Weight : 3,3 Kg
- .Ball bearing
- .Insulation Class F
- .IP54 protection depending on installation and position as per EN60034-5
- .G2.5 balancing
- .Rotor electrolytic galvanizing protection
- .Galvanized steel impeller
- .Motor - UL Recognized component



Non contractual document. All specifications are subject to change without prior notice. Picture for information only.



RREuV8 280x80R

R29-A2-1



DATA SHEET

release. a - Revision 07-2018

Data in accordance to ErP directive

Voltage	230	V
Frequency	50	Hz
Power	0,285	kW ⁽¹⁾
Airflow	1481	m ³ /h ⁽¹⁾
Pressure	373	Pa ⁽¹⁾
Rotation speed	2304	RPM ⁽¹⁾

(1) at optimal efficiency point

	Actual	Request 2013	Request 2015
Overall efficiency (η)	60,5	41,8	45,8
Efficiency grade	77	58	62
Installation category	A		
Efficiency category	static		
Variable speed drive	Yes		
Specific ratio	1,00		

Designed for regular application according ErP directive EU 2009/125/EC

Accessories

16254

21360

Measurement setup

ED11

Documents

Manuel d'utilisation
www.ecofit.com/site/normes

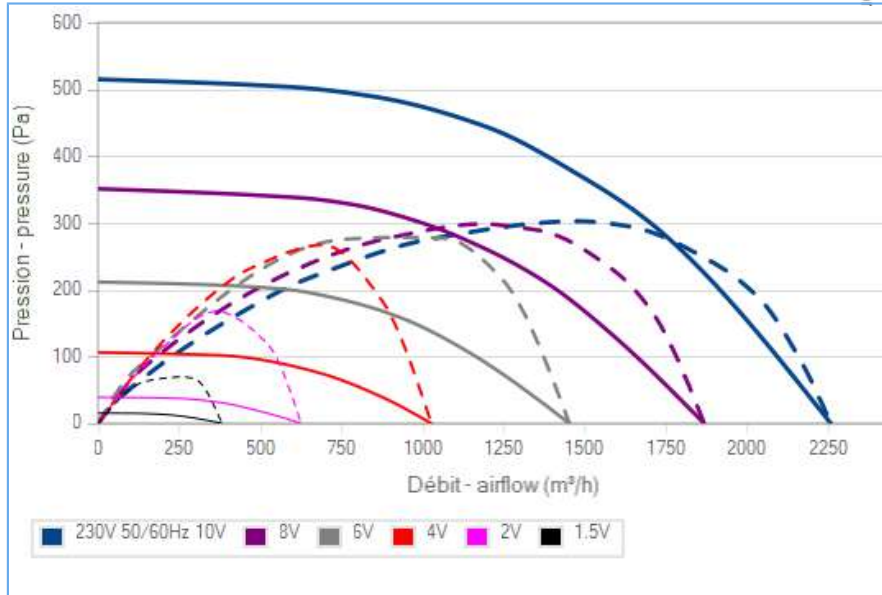
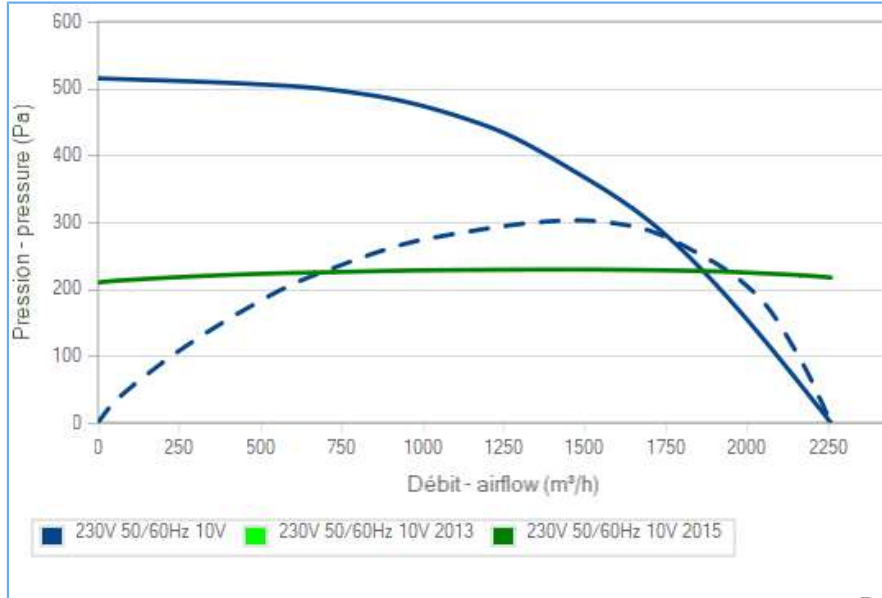
Operating and recycling manual
www.ecofit.com/anglais/normes



IEC 60335-2-80:2002 + A1:2004 +
 IEC 60335-1:2010
 EN 60335-2-80:2003 + A1:2004 + A2:2009 +
 EN 60335-1:2012
 RT9382CE



UL1004-1, 2nd edition "rotating electrical machine"
 UL1004-3, 1st edition "thermally protected motors"
 UL1004-7, 2nd edition "electronically protected motors"
 C22.2 N°100-04, 6th edition "motors and generator"
 C22.2 N°77-95, 7th edition "motors with inherent overheating protection"
 UL Motor Model : RT9382
 File Number : E326930 XDNW2,8



La courbe de rendement intègre le facteur de compensation de charge partielle du règlement (UE) n°327/2011
 The efficiency curve includes part load compensation factor of regulation (EU) n°327/2011



RRMuV8 280x65R

S03-A3-1



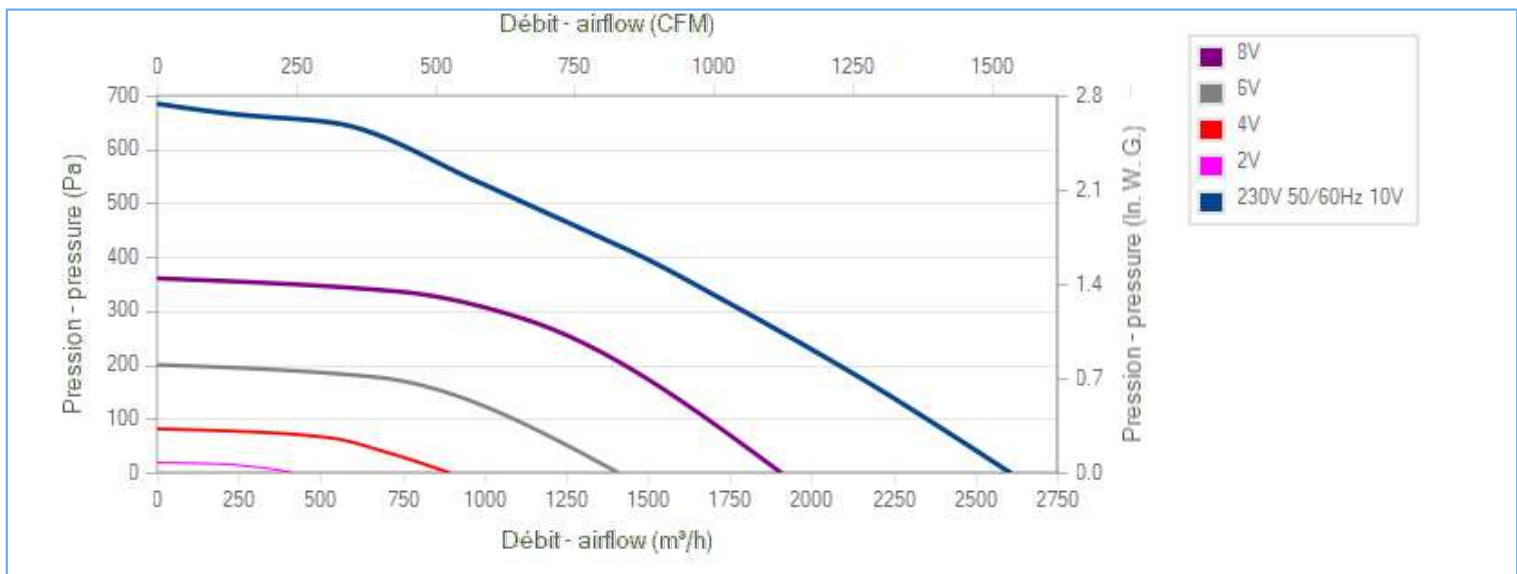
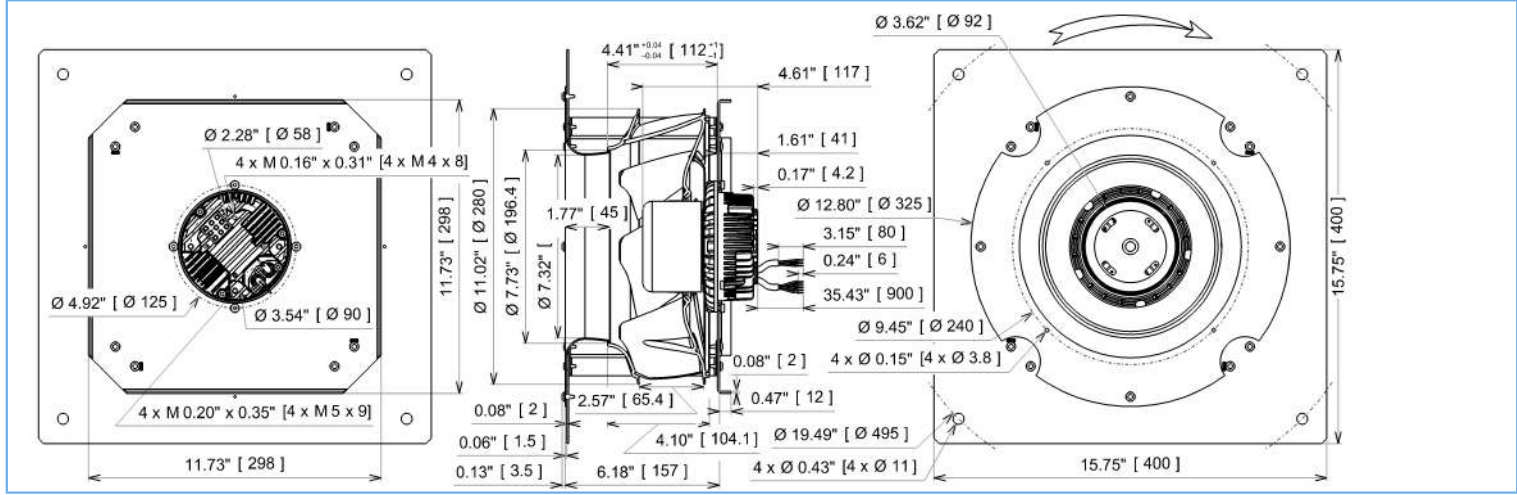
DATA SHEET

release. c - Revision 07-2018

Voltage	Frequency	Input Power	Input Current	Airflow	Rotation speed	Direction rotation	Admissible Temperature
V	Hz	W	A	m ³ /h	RPM		Min/Max
230	50/60	300	1,32	2605	2880	R	-25°C / +60°C
230	50/60			1533 CFM			-13°F / 140°F



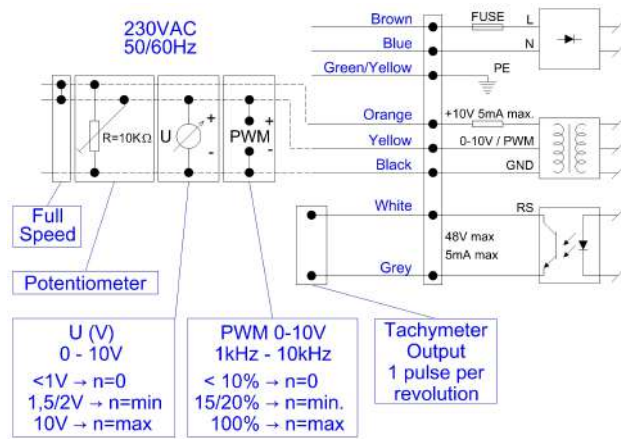
ErP 2013 OK ErP 2015 OK



Tested with ECOFIT ring

Description

- .Weight : 7,0 Kg
- .Ball bearing
- .Insulation Class F
- .IP54 protection depending on installation and position as per EN60034-5
- .G2.5 balancing
- .Rotor electrolytic galvanizing protection
- .PA 6/6 UL 94 V-0 plastic impeller



Non contractual document. All specifications are subject to change without prior notice. Picture for information only.



RRMuV8 280x65R

S03-A3-1



DATA SHEET

release. c - Revision 07-2018

Data in accordance to ErP directive

Voltage	230	V
Frequency	50	Hz
Power	0,300	kW ⁽¹⁾
Airflow	1490	m ³ /h ⁽¹⁾
Pressure	398	Pa ⁽¹⁾
Rotation speed	2591	RPM ⁽¹⁾

(1) at optimal efficiency point

	Actual	Request 2013	Request 2015
Overall efficiency (η)	61,8	42	46
Efficiency grade	78	58	62
Installation category	A		
Efficiency category	static		
Variable speed drive	Yes		
Specific ratio	1,00		

Designed for regular application according ErP directive EU 2009/125/EC

Accessories

21360

Measurement setup

16254

Documents

Manuel d'utilisation

www.ecofit.com/site/normes

Operating and recycling manual

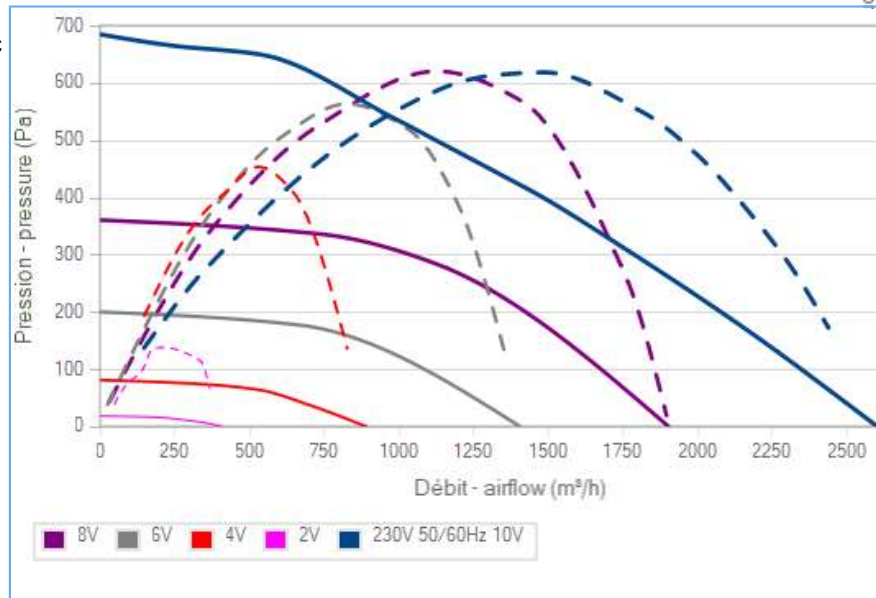
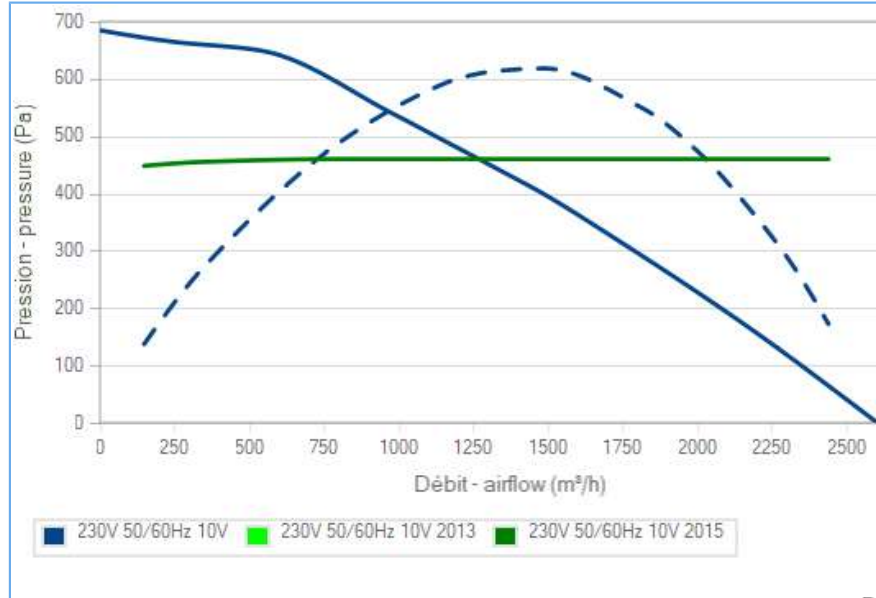
www.ecofit.com/anglais/normes



IEC 60335-2-80:2002 + A1:2004 +
IEC 60335-1:2010
EN 60335-2-80:2003 + A1:2004 + A2:2009 +
EN 60335-1:2012
RT9382CE



UL1004-1, 2nd edition "rotating electrical machine"
UL1004-3, 1st edition "thermally protected motors"
UL1004-7, 2nd edition "electronically protected motors"
C22.2 N°100-04, 6th edition "motors and generator"
C22.2 N°77-95, 7th edition "motors with inherent overheating protection"
UL Motor Model : RT9382
File Number : E326930 XDNW2,8



La courbe de rendement intègre le facteur de compensation de charge partielle du règlement (UE) n°327/2011
The efficiency curve includes part load compensation factor of regulation (EU) n°327/2011



RRMuG9 225x50R

S04-A0-1

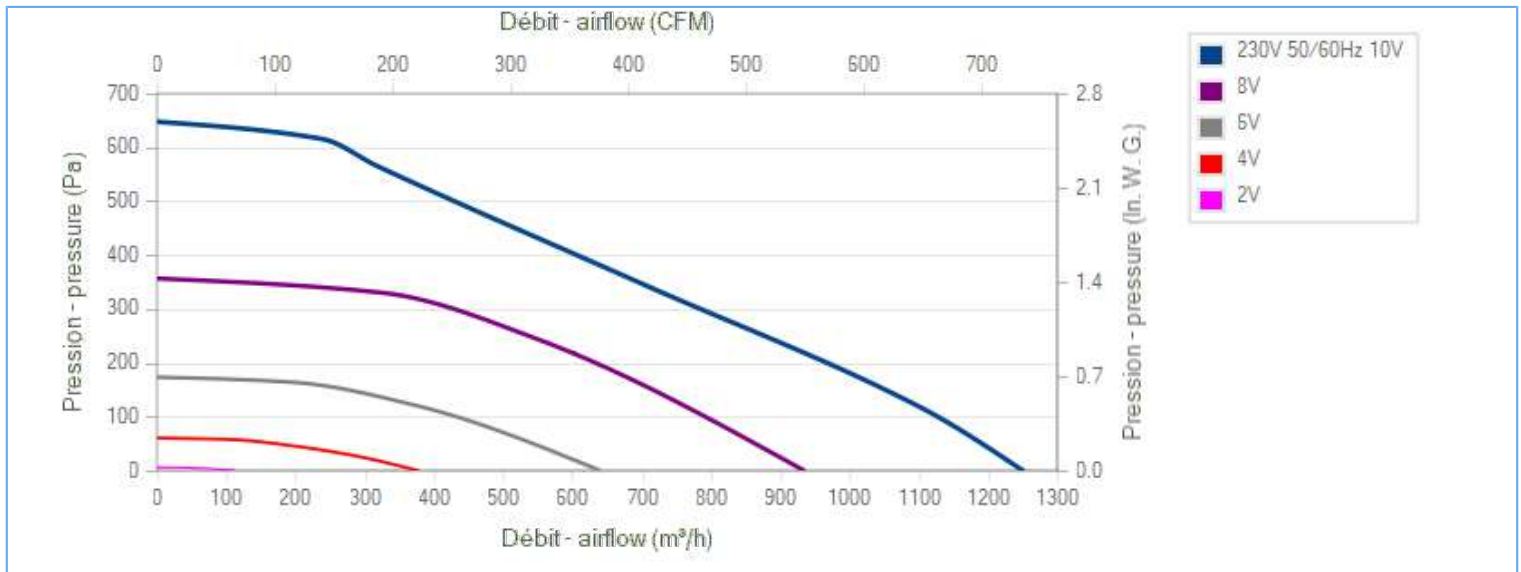
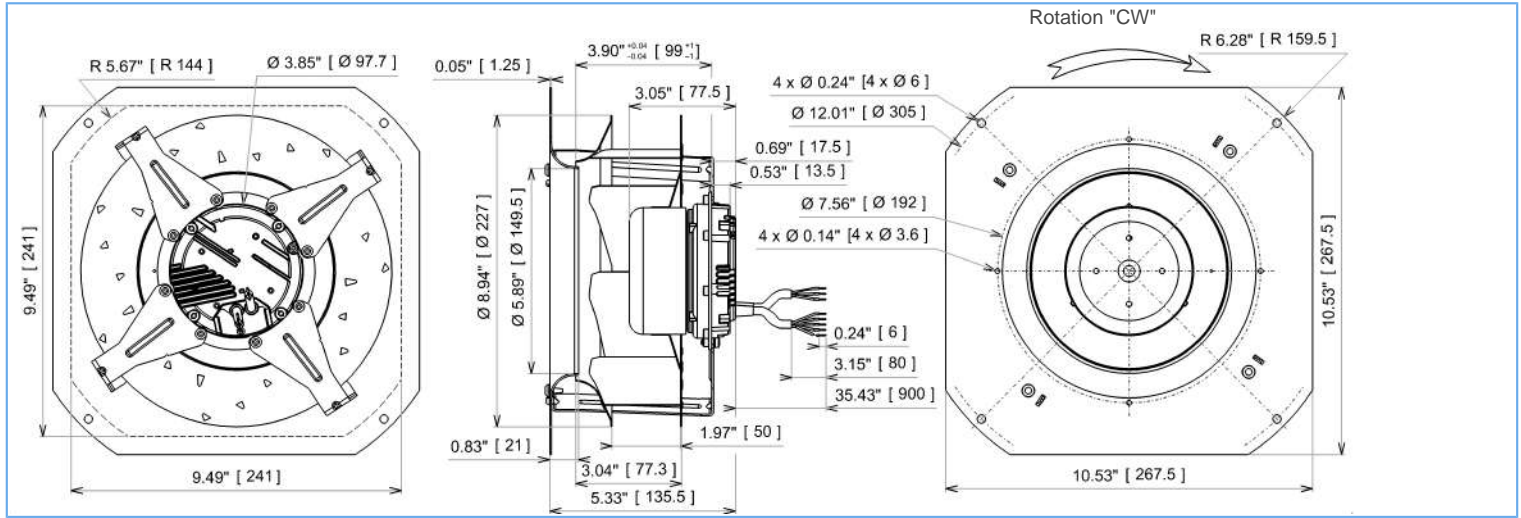
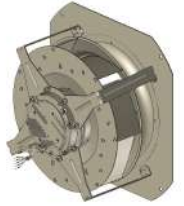


DATA SHEET

release. a - Revision 02-2018

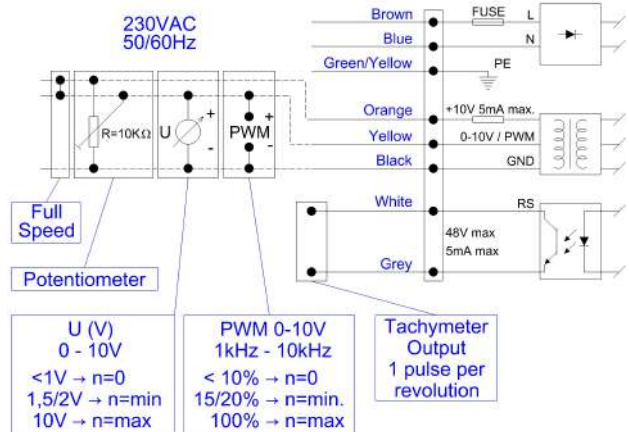
Voltage	Frequency	Input Power	Input Current	Airflow	Rotation speed	Direction rotation	Admissible Temperature
V	Hz	W	A	m ³ /h	RPM		Min/Max
230	50/60	129	1,02	1250	3250	R	-20°C / +50°C
230	50/60			735 CFM			-4°F / 122°F

ErP 2013 OK ErP 2015 OK



Description

- .Weight : 2,8 Kg
- .Ball bearing
- .Insulation Class F
- .IP4x may be IP44 according to EN60034-5 after checking the integration into the customer appliance
- .G2.5 balancing
- .Rotor : black paint
- .Galvanized steel impeller





RRMuG9 225x50R

S04-A0-1



DATA SHEET

release. a - Revision 02-2018

Data in accordance to ErP directive

Voltage	230	V
Frequency	50	Hz
Power	0,150	kW ⁽¹⁾
Airflow	698	m ³ /h ⁽¹⁾
Pressure	348	Pa ⁽¹⁾
Rotation speed	2948	RPM ⁽¹⁾

(1) at optimal efficiency point

	Actual	Request 2013	Request 2015
Overall efficiency (η)	51,5	38,8	42,8
Efficiency grade	71	58	62
Installation category	A		
Efficiency category	static		
Variable speed drive	Yes		
Specific ratio	1,00		

Designed for regular application according ErP directive EU 2009/125/EC

Accessories

21194

Measurement setup

16236

Documents

Manuel d'utilisation

www.ecofit.com/site/normes

Operating and recycling manual

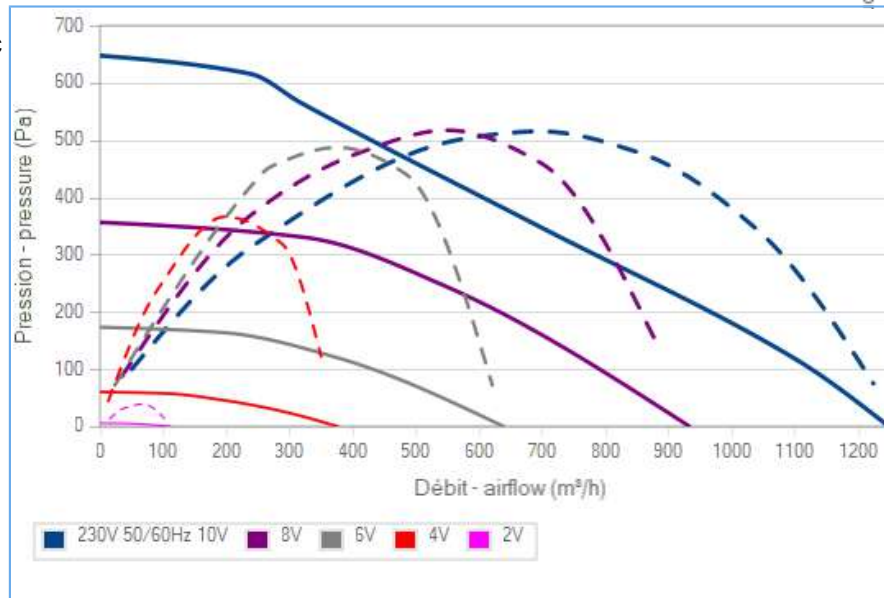
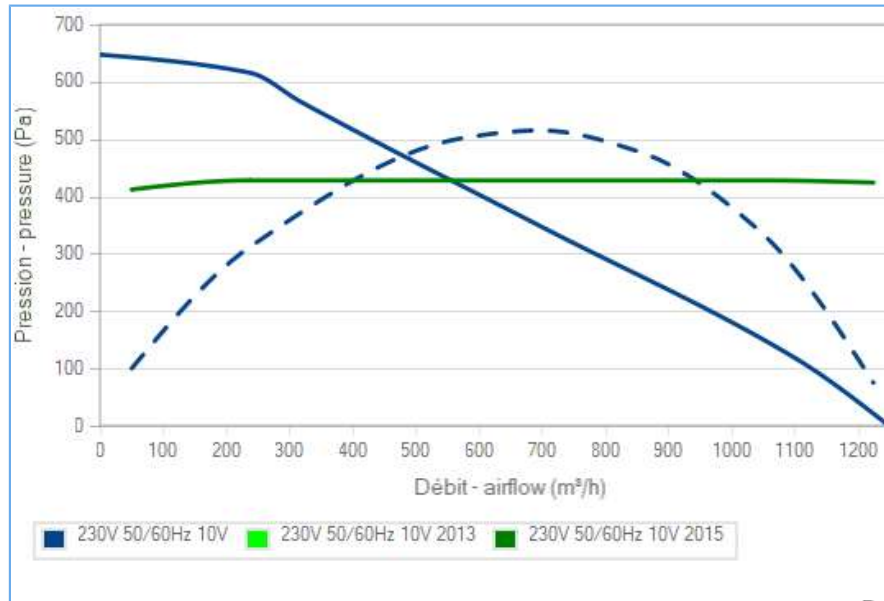
www.ecofit.com/anglais/normes



IEC 60335-2-80:2002 + A1:2004 +
IEC 60335-1:2010
EN 60335-2-80:2003 + A1:2004 + A2:2009 +
EN 60335-1:2012
RT9192CE



UL1004-1, 2nd edition "rotating electrical machine"
UL1004-3, 1st edition "thermally protected motors"
UL1004-7, 2nd edition "electronically protected motors"
C22.2 N°100-04, 6th edition "motors and generator"
C22.2 N°77-95, 7th edition "motors with inherent overheating protection"
UL Motor Model : RT9192
File Number : E326930.XDNW2,8



La courbe de rendement intègre le facteur de compensation de charge partielle du règlement (UE) n°327/2011
The efficiency curve includes part load compensation factor of regulation (EU) n°327/2011



RRMuG9 225x50R (120V) S04-A1-1

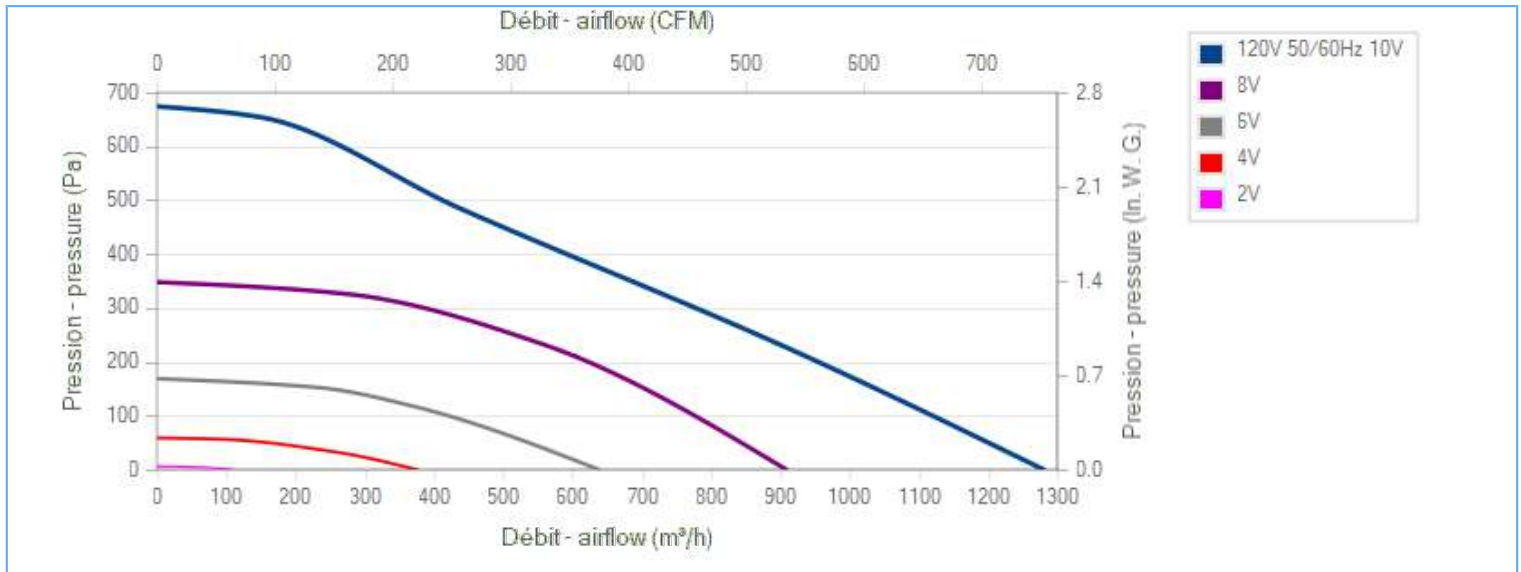
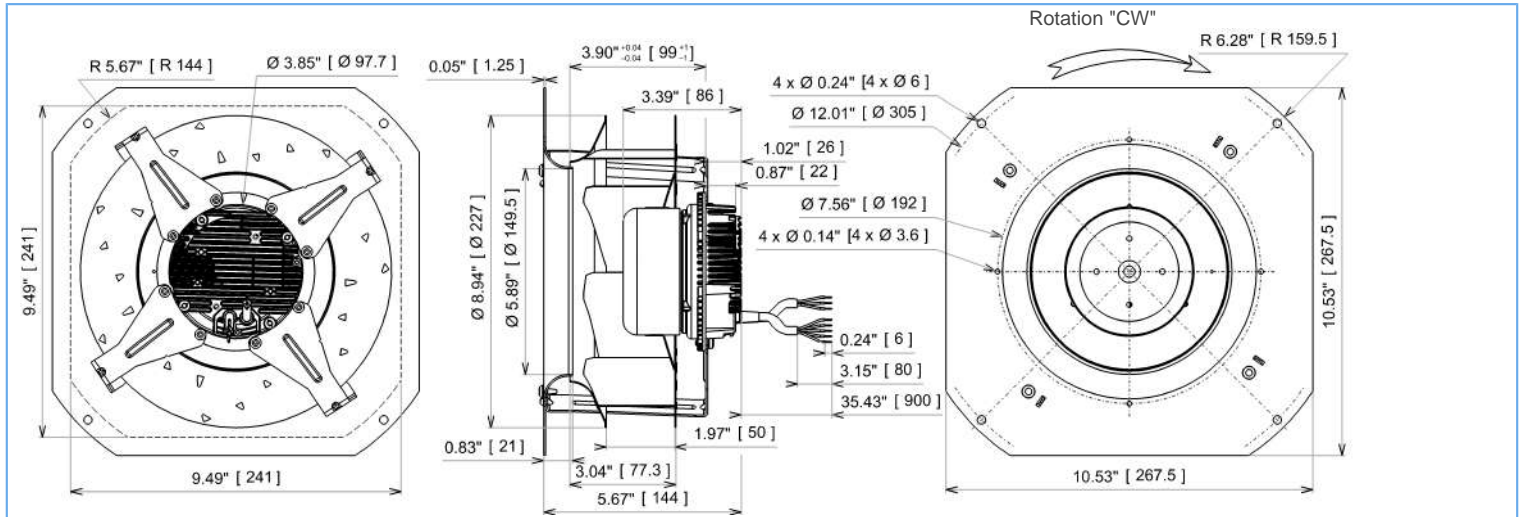
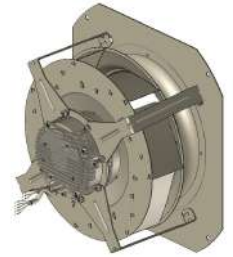


DATA SHEET

release. a - Revision 02-2018

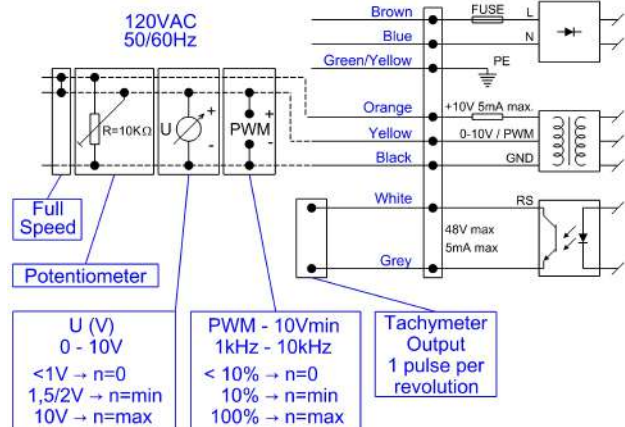
Voltage	Frequency	Input Power	Input Current	Airflow	Rotation speed	Direction rotation	Admissible Temperature
V	Hz	W	A	m ³ /h	RPM		Min/Max
120	50/60	141	1,89	1280	3340	R	-25°C / +60°C
120	50/60			753 CFM			-13°F / 140°F

ErP 2013 OK ErP 2015 OK



Description

- .Weight : 2,9 Kg
- .Ball bearing
- .Insulation Class F
- .IP4x may be IP44 according to EN60034-5 after checking the integration into the customer appliance
- .G2.5 balancing
- .Rotor : black paint
- .Galvanized steel impeller





RRMuG9 225x50R (120V) S04-A1-1



DATA SHEET

release. a - Revision 02-2018

Data in accordance to ErP directive

Voltage	120	V
Frequency	50	Hz
Power	0,150	kW ⁽¹⁾
Airflow	696	m ³ /h ⁽¹⁾
Pressure	344	Pa ⁽¹⁾
Rotation speed	2947	RPM ⁽¹⁾

(1) at optimal efficiency point

	Actual	Request 2013	Request 2015
Overall efficiency (η)	50,7	38,8	42,8
Efficiency grade	70	58	62
Installation category	A		
Efficiency category	static		
Variable speed drive	Yes		
Specific ratio	1,00		

Designed for regular application according ErP directive EU 2009/125/EC

Accessories

21194

Measurement setup

16236

Documents

Manuel d'utilisation

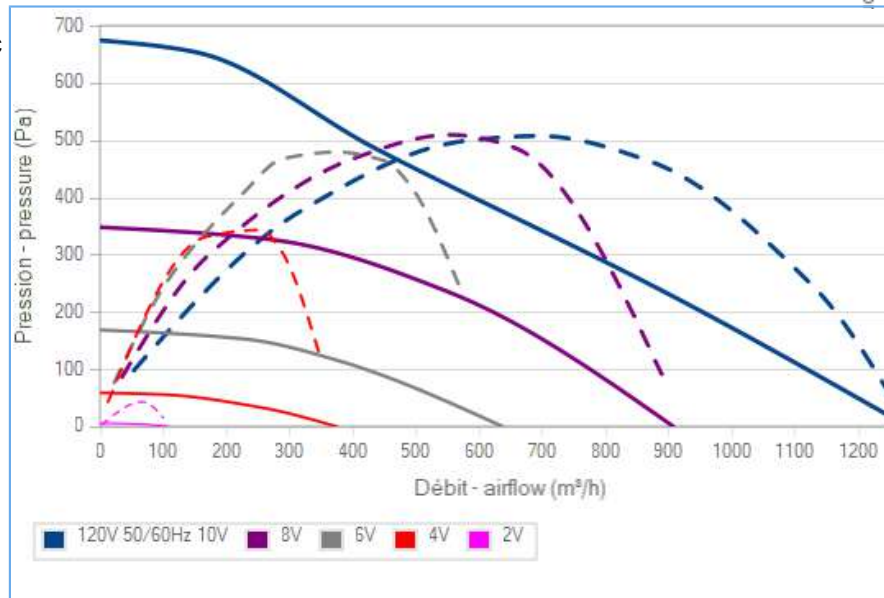
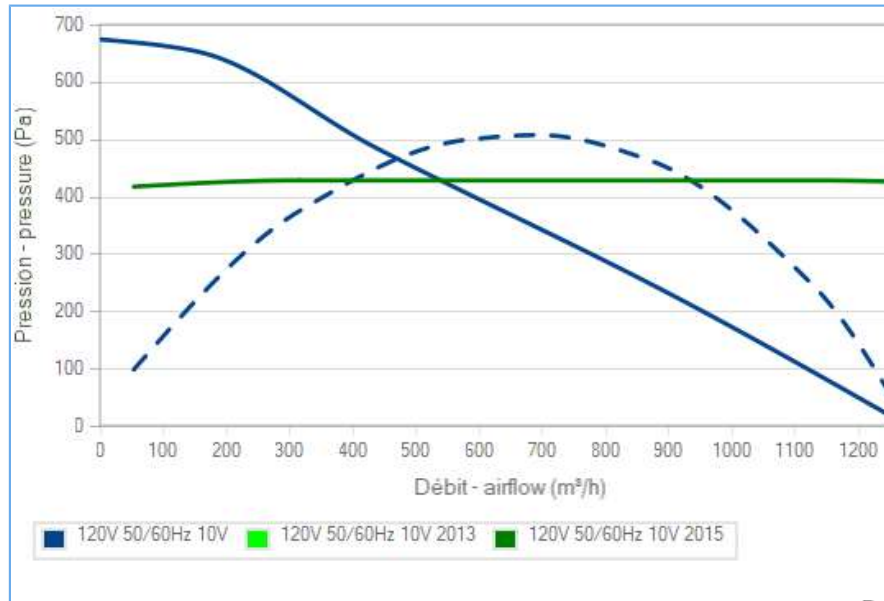
www.ecofit.com/site/normes

Operating and recycling manual

www.ecofit.com/anglais/normes



UL1004-1, 2nd edition "rotating electrical machine"
 UL1004-3, 1st edition "thermally protected motors"
 UL1004-7, 2nd edition "electronically protected motors"
 C22.2 N°100-04, 6th edition "motors and generator"
 C22.2 N°77-95, 7th edition "motors with inherent overheating protection"
 UL Motor Model : RT9191
 File Number : E326930 XDNW2.8



La courbe de rendement intègre le facteur de compensation de charge partielle du règlement (UE) n°327/2011
 The efficiency curve includes part load compensation factor of regulation (EU) n°327/2011



RRMG9 225x50R

S07-A0-1

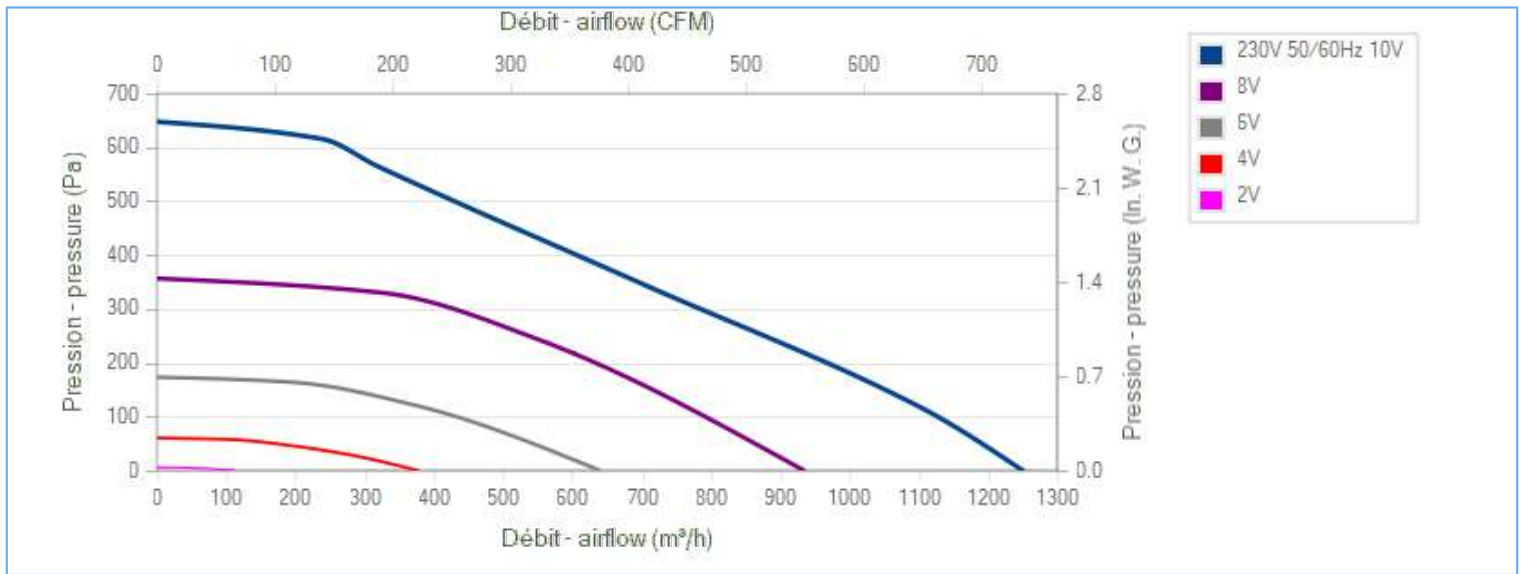
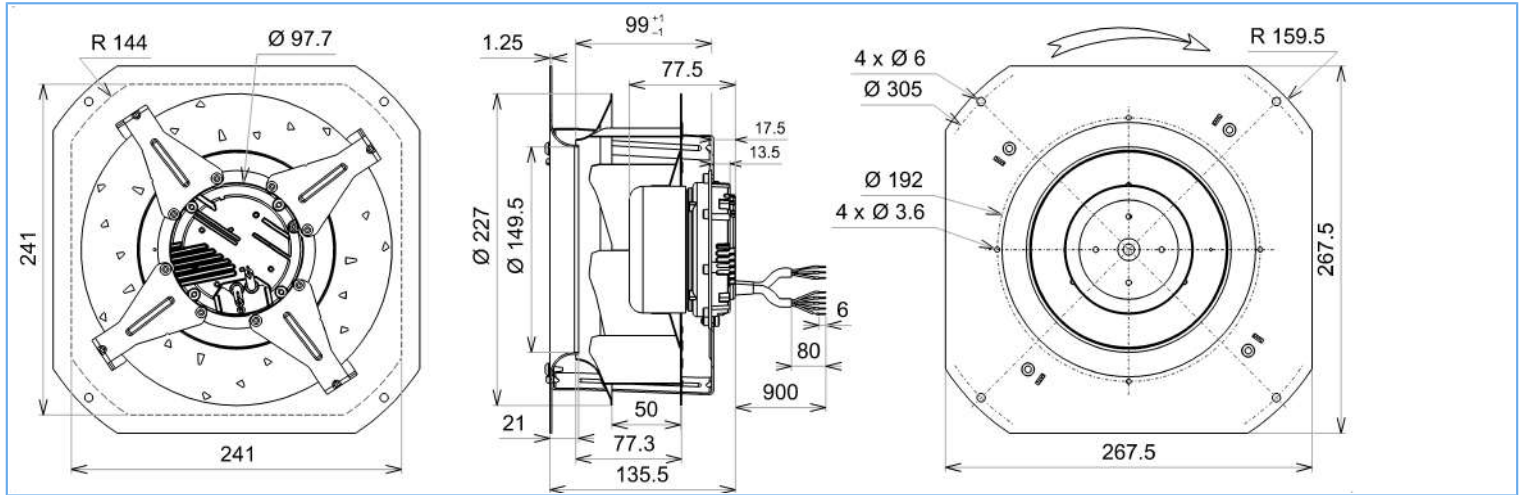
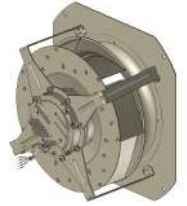


DATA SHEET

release. 0 - Revision 07-2018

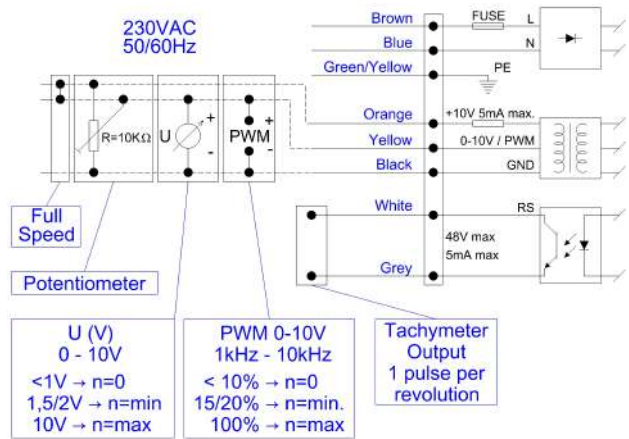
Voltage	Frequency	Input Power	Input Current	Airflow	Rotation speed	Direction rotation	Admissible Temperature
V	Hz	W	A	m ³ /h	RPM		Min/Max
230	50/60	129	1,02	1250	3250	R	-20°C / +50°C
230	50/60			735 CFM			-4°F / 122°F

ErP 2013 OK ErP 2015 OK



Description

- .Weight : 2,8 Kg
- .Ball bearing
- .Insulation Class F
- .IP4x may be IP44 according to EN60034-5 after checking the integration into the customer appliance
- .G2.5 balancing
- .Rotor : black paint
- .Galvanized steel impeller



Non contractual document. All specifications are subject to change without prior notice. Picture for information only.



RRMG9 225x50R

S07-A0-1



DATA SHEET

release. 0 - Revision 07-2018

Data in accordance to ErP directive

Voltage	230	V
Frequency	50	Hz
Power	0,150	kW ⁽¹⁾
Airflow	698	m ³ /h ⁽¹⁾
Pressure	348	Pa ⁽¹⁾
Rotation speed	2948	RPM ⁽¹⁾

(1) at optimal efficiency point

	Actual	Request 2013	Request 2015
Overall efficiency (η)	51,5	38,8	42,8
Efficiency grade	71	58	62
Installation category	A		
Efficiency category	static		
Variable speed drive	Yes		
Specific ratio	1,00		

Designed for regular application according ErP directive EU 2009/125/EC

Accessories

21194

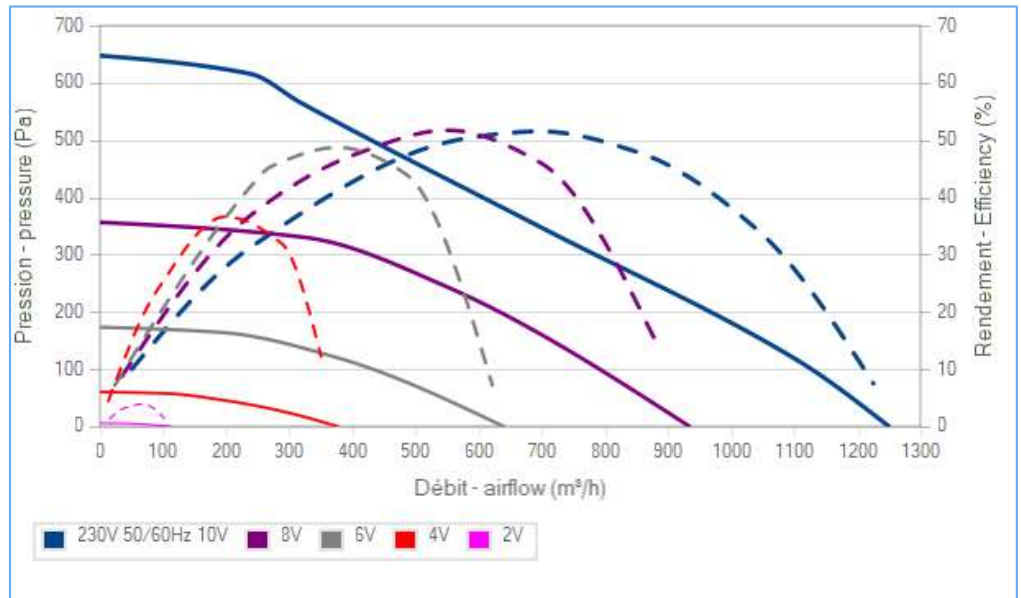
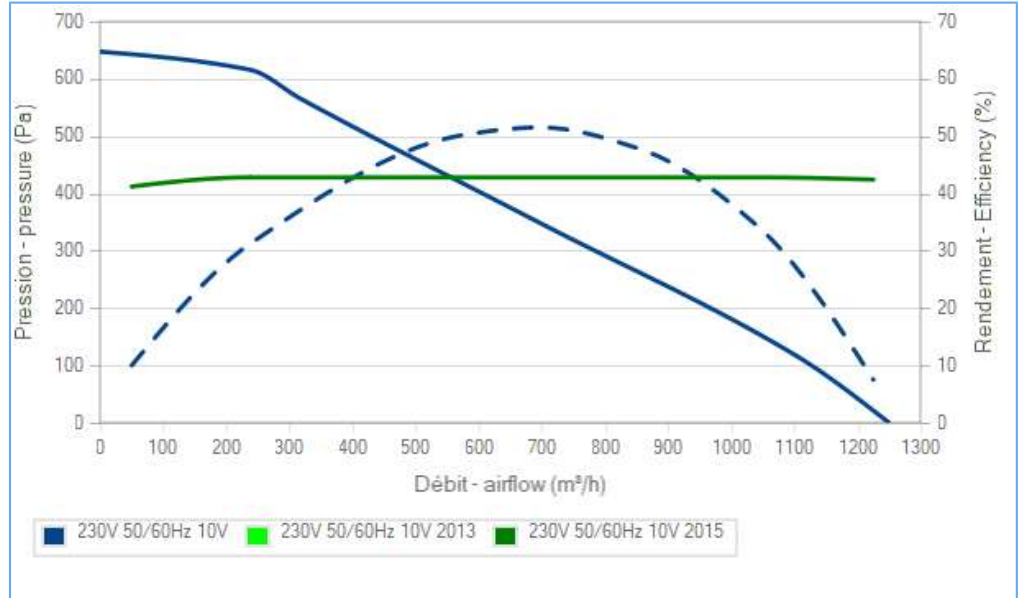
Measurement setup

16236

Documents

Manuel d'utilisation
www.ecofit.com/site/normes

Operating and recycling manual
www.ecofit.com/anglais/normes



La courbe de rendement intègre le facteur de compensation de charge partielle du règlement (UE) n°327/2011
 The efficiency curve includes part load compensation factor of regulation (EU) n°327/2011

CE IEC 60335-2-80:2002 + A1:2004 + IEC 60335-1:2010
 EN 60335-2-80:2003 + A1:2004 + A2:2009 + EN 60335-1:2012
 RT9192CE

Non contractual document. All specifications are subject to change without prior notice. Picture for information only.