

Approvals



Life expectancy

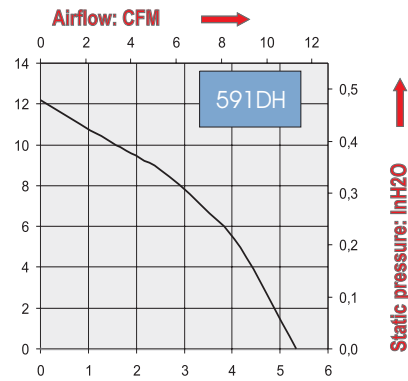
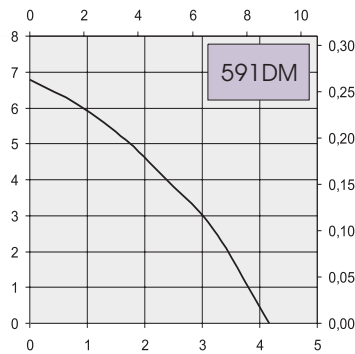
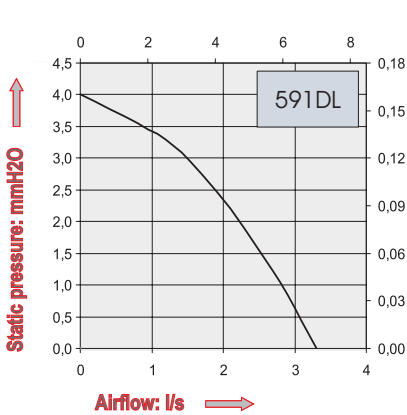
L-10 LIFE AT 40°C:
25 000 hours

Brushless DC Motor

Electrical protection: integrated circuit
Housing material: plastic UL 94 V0
Impeller material: plastic UL 94 V0
Maximum weight: 95 g
Bearing system: ball bearings
Connection: flying leads
IP 20

Available with:

- Speed sensor
- Alarm
- IP 54 / IP 55



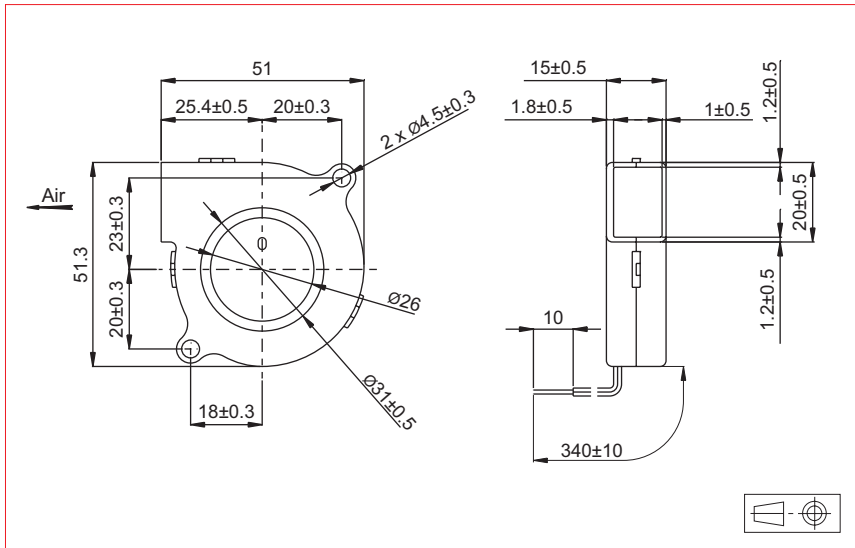
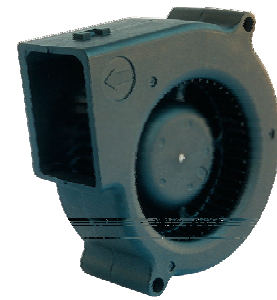
| Part Number | Nominal voltage | Airflow | Noise level | Nominal speed | Input Power | Voltage range | Operating temperature | |
|---------------|-----------------|---------|-------------|---------------|-------------|---------------|-----------------------|--------|
| | V | l/s | dB(A) | RPM | W | V | Min.°C | Max.°C |
| 591DL1LP11000 | 12 | 3,3 | 26 | 1900 | 0,72 | (7-13,8) | -10 | 60 |
| 591DL2LP11000 | 24 | 3,3 | 26 | 1900 | 1,20 | (14-27,6) | -10 | 60 |
| 591DM1LP11000 | 12 | 4,2 | 32 | 2350 | 1,56 | (7-13,8) | -10 | 60 |
| 591DM2LP11000 | 24 | 4,2 | 32 | 2350 | 1,68 | (14-27,6) | -10 | 60 |
| 591DH1LP11000 | 12 | 5,3 | 38 | 2900 | 2,64 | (7-13,8) | -10 | 60 |
| 591DH2LP11000 | 24 | 5,3 | 38 | 2900 | 2,88 | (14-27,6) | -10 | 60 |

2,007" x 2,019" x 0,59" 51 x 51,3 x 15 mm

Series 593D

ETRI®

DC Centrifugal Blowers



Approvals



Life expectancy

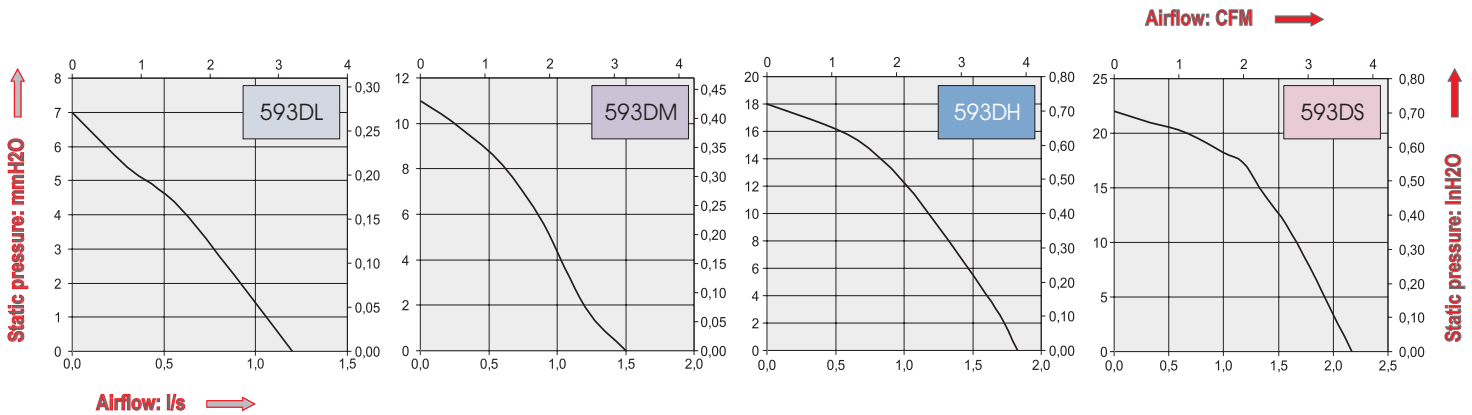
L-10 LIFE AT 40°C:
25 000 hours

Brushless DC Motor

Electrical protection: integrated circuit
Housing material: plastic UL 94 V0
Impeller material: plastic UL 94 V0
Maximum weight: 28 g
Bearing system: ball bearings
Connection: flying leads
IP 20

Available with:

- Speed sensor
- Alarm



| Part Number | Nominal voltage | Airflow | Noise level | Nominal speed | Input Power | Voltage range | Operating temperature | |
|---------------|-----------------|---------|-------------|---------------|-------------|---------------|-----------------------|--------|
| | V | l/s | dB(A) | RPM | W | V | Min.°C | Max.°C |
| 593DL5LP11000 | 5 | 1,2 | 26,5 | 3500 | 0,7 | (4-5,5) | -10 | 70 |
| 593DL1LP11000 | 12 | 1,2 | 26,5 | 3500 | 0,8 | (10-13,8) | -10 | 70 |
| 593DL2LP11000 | 24 | 1,2 | 26,5 | 3500 | 1,2 | (14-27,6) | -10 | 70 |
| 593DM5LP11000 | 5 | 1,5 | 32,5 | 4500 | 1,7 | (4-5,5) | -10 | 70 |
| 593DM1LP11000 | 12 | 1,5 | 32,5 | 4500 | 1,2 | (10-13,8) | -10 | 70 |
| 593DM2LP11000 | 24 | 1,5 | 32,5 | 4500 | 1,7 | (14-27,6) | -10 | 70 |
| 593DH1LP11000 | 12 | 1,8 | 38 | 5500 | 1,9 | (10-13,8) | -10 | 70 |
| 593DH2LP11000 | 24 | 1,8 | 38 | 5500 | 2,2 | (14-27,6) | -10 | 70 |
| 593DS1LP11000 | 12 | 2,2 | 45 | 6500 | 2,5 | (10-13,8) | -10 | 70 |
| 593DS2LP11000 | 24 | 2,2 | 45 | 6500 | 2,6 | (14-27,6) | -10 | 70 |

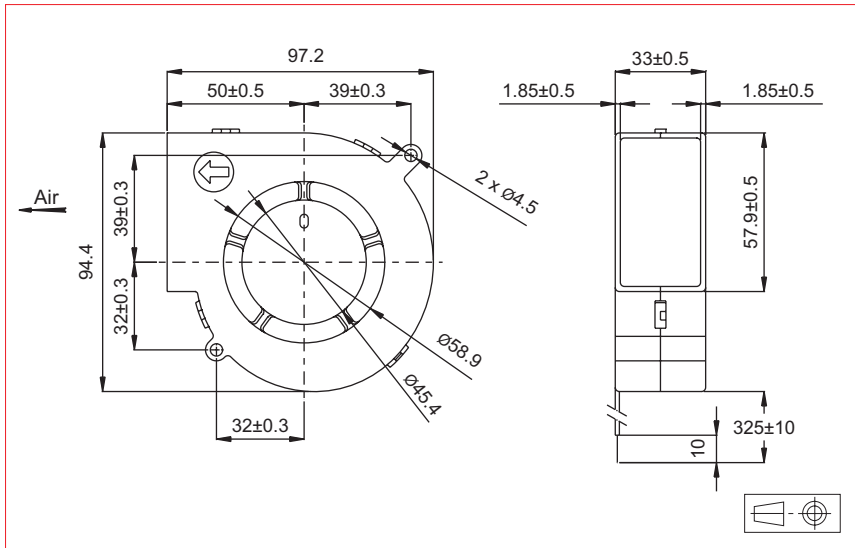
3,83" x 3,71" x 1.3"

97,2 x 94,4 x 33 mm

Series
595D

ETRI

DC Centrifugal Blowers



Approvals



Life expectancy

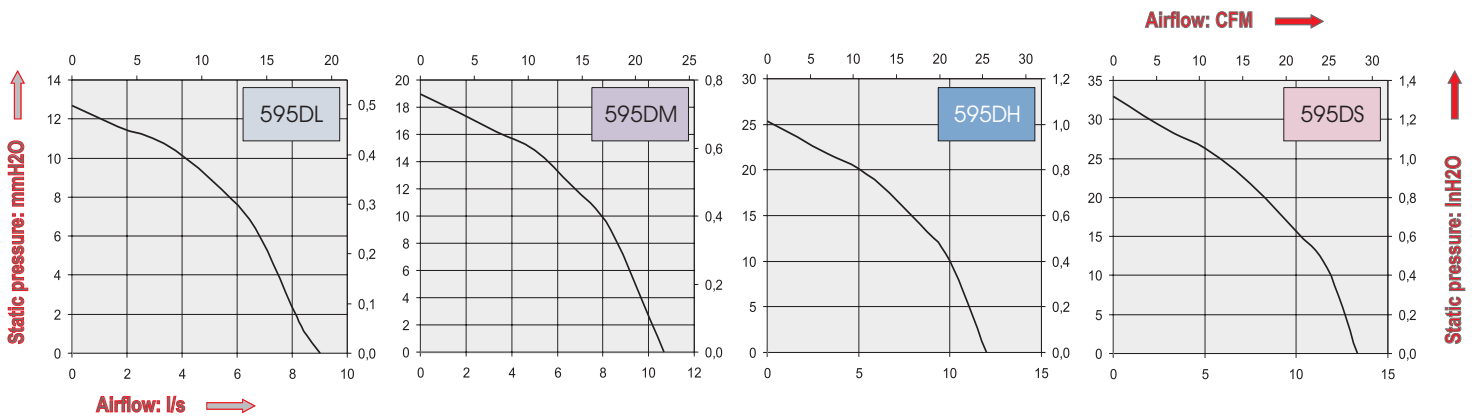
L-10 LIFE AT 40°C:
25 000 hours

Brushless DC Motor

Electrical protection: integrated circuit
Housing material: plastic UL 94 V0
Impeller material: plastic UL 94 V0
Maximum weight: 160 g
Bearing system: ball bearings
Connection: flying leads
IP 20

Available with:

- Speed sensor
- Alarm
- IP 54 / IP 55



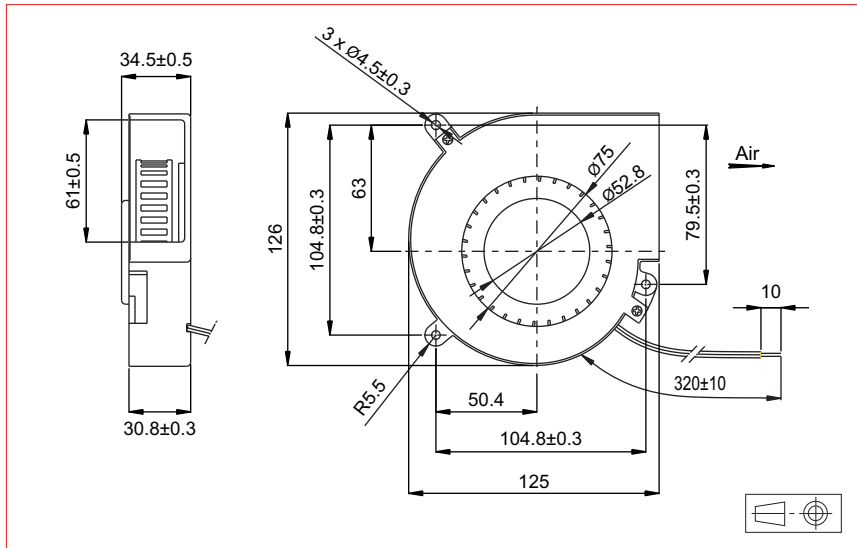
| Part Number | Nominal voltage | Airflow | Noise level | Nominal speed | Input Power | Voltage range | Operating temperature | |
|---------------|-----------------|---------|-------------|---------------|-------------|---------------|-----------------------|--------|
| | V | l/s | dB(A) | RPM | W | V | Min.°C | Max.°C |
| 595DL1LP11000 | 12 | 9,0 | 45 | 2700 | 3,8 | (4-13,8) | -10 | 60 |
| 595DL2LP11000 | 24 | 9,0 | 45 | 2700 | 3,8 | (7-27,6) | -10 | 60 |
| 595DM1LP11000 | 12 | 10,7 | 49 | 3200 | 6,8 | (4-13,8) | -10 | 60 |
| 595DM2LP11000 | 24 | 10,7 | 49 | 3200 | 6,2 | (7-27,6) | -10 | 60 |
| 595DH1LP11000 | 12 | 12,0 | 52 | 3600 | 9,6 | (4-13,8) | -10 | 60 |
| 595DH2LP11000 | 24 | 12,0 | 52 | 3600 | 9,6 | (7-27,6) | -10 | 60 |
| 595DS1LP11000 | 12 | 13,3 | 55 | 4000 | 13,2 | (4-13,8) | -10 | 60 |
| 595DS2LP11000 | 24 | 13,3 | 55 | 4000 | 13,2 | (7-27,6) | -10 | 60 |

4,96" x 4,92" x 1,36" 126 x 125 x 34,5 mm

Series
596D

ETRI

DC Centrifugal Blowers



Approvals



Life expectancy

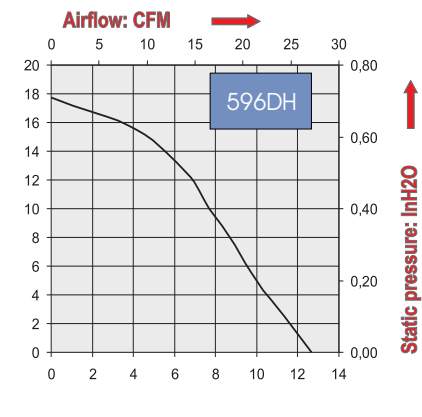
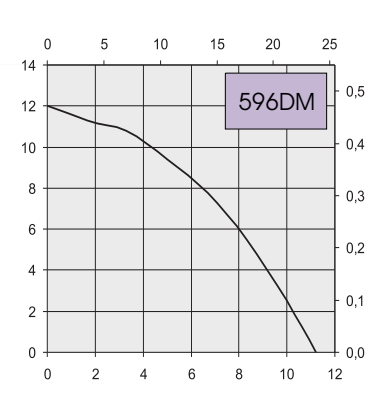
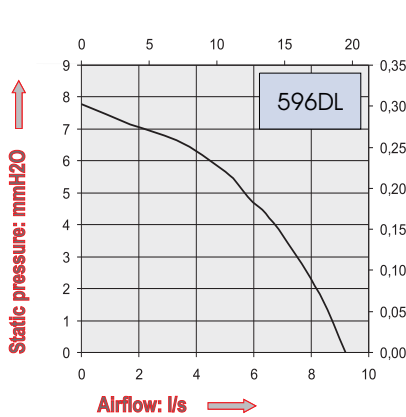
L-10 LIFE AT 40°C:
25 000 hours

Brushless DC Motor

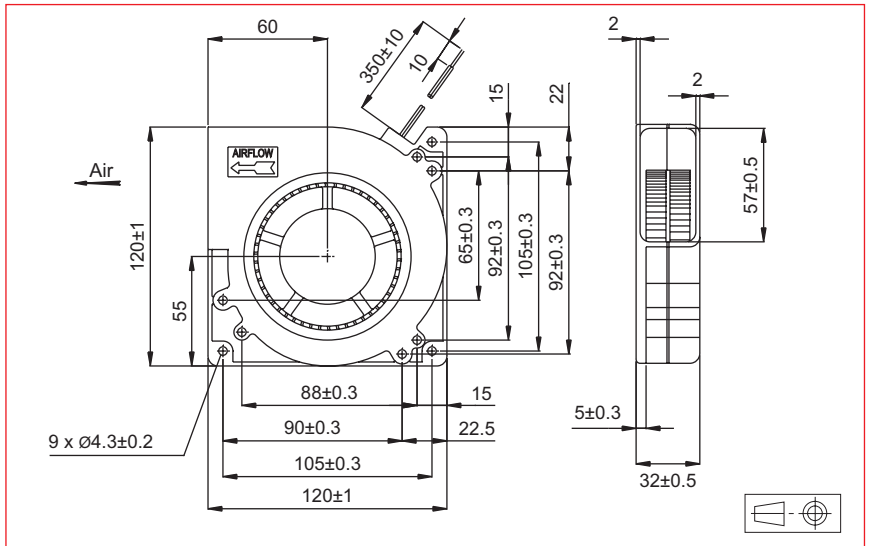
Electrical protection: integrated circuit
Housing material: plastic UL 94 V0
Impeller material: plastic UL 94 V0
Maximum weight: 325 g
Bearing system: ball bearings
Connection: flying leads
IP 20

Available with:

- Speed sensor
- Alarm



| Part Number | Nominal voltage | Airflow | Noise level | Nominal speed | Input Power | Voltage range | Operating temperature | |
|---------------|-----------------|---------|-------------|---------------|-------------|---------------|-----------------------|--------|
| | V | l/s | dB(A) | RPM | | | Min.°C | Max.°C |
| 596DL1LP11000 | 12 | 9,2 | 42,5 | 1700 | 2,9 | (7-13,8) | -10 | 60 |
| 596DL2LP11000 | 24 | 9,2 | 42,5 | 1700 | 3,1 | (14-28) | -10 | 60 |
| 596DL4LP11000 | 48 | 9,2 | 42,5 | 1700 | 3,8 | (38-56) | -10 | 60 |
| 596DM1LP11000 | 12 | 11,2 | 46,0 | 2000 | 5,0 | (7-13,8) | -10 | 60 |
| 596DM2LP11000 | 24 | 11,2 | 46,0 | 2000 | 5,5 | (14-28) | -10 | 60 |
| 596DM4LP11000 | 48 | 11,2 | 46,0 | 2000 | 5,8 | (38-56) | -10 | 60 |
| 596DH1LP11000 | 12 | 12,8 | 51,5 | 2300 | 8,2 | (7-13,8) | -10 | 60 |
| 596DH2LP11000 | 24 | 12,8 | 51,5 | 2300 | 8,2 | (14-28) | -10 | 60 |



Approvals



Life expectancy

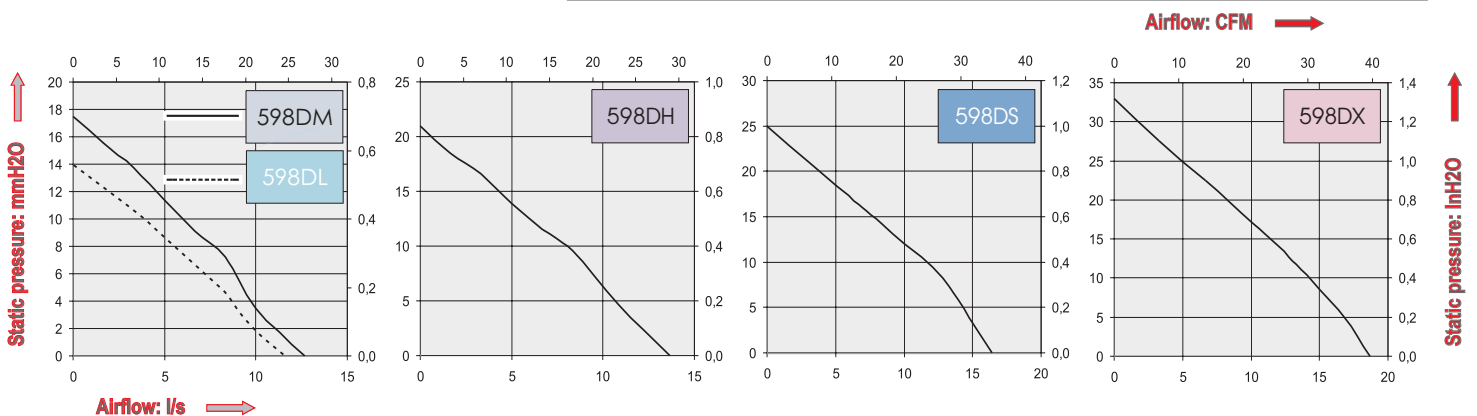
L-10 LIFE AT 40°C:
25 000 hours

Brushless DC Motor

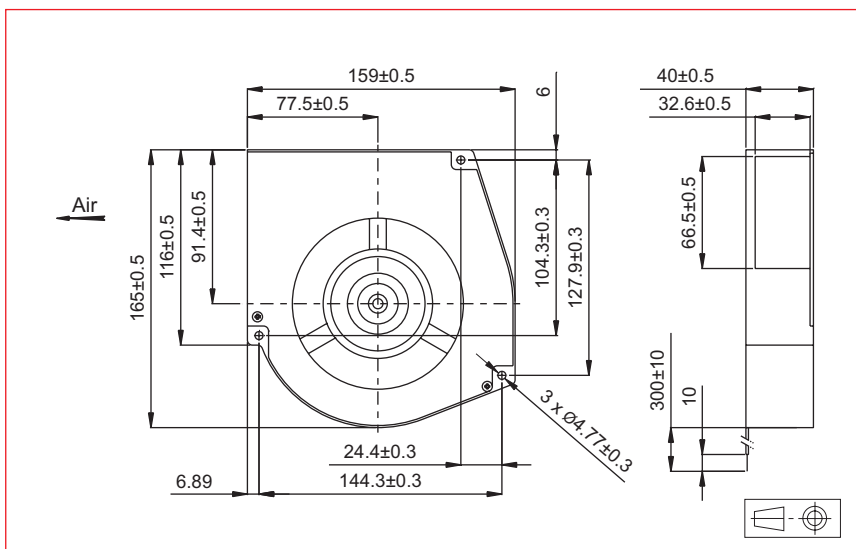
Electrical protection: integrated circuit
Housing material: plastic UL 94 V0
Impeller material: plastic UL 94 V0
Maximum weight: 230 g
Bearing system: ball bearings
Connection: flying leads
IP 20

Available with:

- Speed sensor
- Alarm



| Part Number | Nominal voltage | Airflow | Noise level | Nominal speed | Input Power | Voltage range | Operating temperature | |
|---------------|-----------------|---------|-------------|---------------|-------------|---------------|-----------------------|--------|
| | V | l/s | dB(A) | RPM | W | V | Min.°C | Max.°C |
| 598DL1LP11000 | 12 | 11,7 | 47 | 2100 | 4,8 | (4-13,8) | -10 | 60 |
| 598DL2LP11000 | 24 | 11,7 | 47 | 2100 | 5,8 | (7-27,6) | -10 | 60 |
| 598DL4LP11000 | 48 | 12,5 | 47 | 2100 | 54,3 | (28-56) | -10 | 60 |
| 598DM1LP11000 | 12 | 12,7 | 48,5 | 2300 | 7,0 | (4-13,8) | -10 | 60 |
| 598DM2LP11000 | 24 | 12,7 | 48,5 | 2300 | 6,7 | (7-27,6) | -10 | 60 |
| 598DM4LP11000 | 48 | 13,8 | 48,5 | 2300 | 5,8 | (28-56) | -10 | 60 |
| 598DH1LP11000 | 12 | 13,7 | 51 | 2500 | 9,8 | (4-13,8) | -10 | 60 |
| 598DH2LP11000 | 24 | 13,7 | 51 | 2500 | 8,4 | (7-27,6) | -10 | 60 |
| 598DH4LP11000 | 48 | 14,8 | 51 | 2500 | 7,2 | (28-56) | -10 | 60 |
| 598DS1LP11000 | 12 | 15,3 | 54 | 2800 | 13,2 | (4-13,8) | -10 | 60 |
| 598DS2LP11000 | 24 | 16,7 | 54 | 2800 | 12,9 | (7-27,6) | -10 | 60 |
| 598DS4LP11000 | 48 | 16,7 | 54 | 2800 | 10,6 | (28-56) | -10 | 60 |
| 598DX1LP11000 | 12 | 18,7 | 56,5 | 3100 | 15,0 | (4-13,8) | -10 | 60 |
| 598DX2LP11000 | 24 | 18,7 | 56,5 | 3100 | 14,4 | (7-27,6) | -10 | 60 |



Approvals



Life expectancy

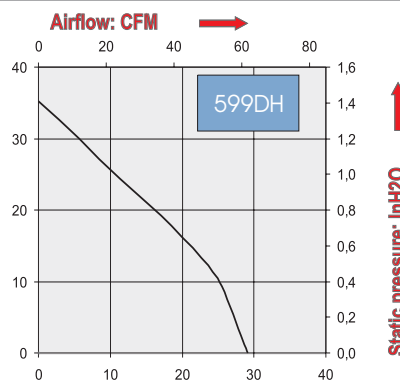
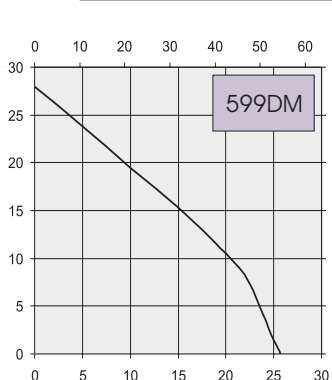
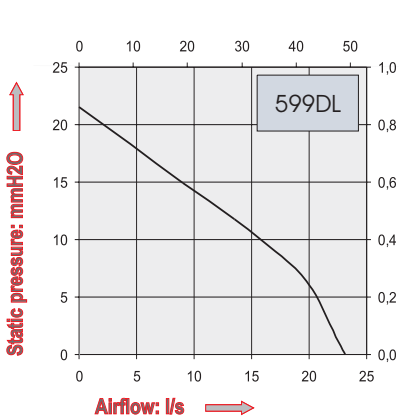
L-10 LIFE AT 40°C:
25 000 hours

Brushless DC Motor

Electrical protection: integrated circuit
Housing material: plastic UL 94 V0
Impeller material: plastic UL 94 V0
Maximum weight: 588 g
Bearing system: ball bearings
Connection: flying leads
IP 20

Available with:

- Speed sensor
- Alarm



| Part Number | Nominal voltage | Airflow | Noise level | Nominal speed | Input Power | Voltage range | Operating temperature | |
|---------------|-----------------|---------|-------------|---------------|-------------|---------------|-----------------------|--------|
| | V | l/s | dB(A) | RPM | W | V | Min.°C | Max.°C |
| 599DL1LP11000 | 12 | 23,2 | 51,5 | 1800 | 9,6 | (7-13,2) | -10 | 60 |
| 599DL2LP11000 | 24 | 23,2 | 51,5 | 1800 | 9,6 | (14-26,4) | -10 | 60 |
| 599DL4LP11000 | 48 | 23,2 | 51,5 | 1800 | 10,6 | (28-56) | -10 | 60 |
| 599DM1LP11000 | 12 | 25,7 | 54,5 | 2000 | 13,2 | (7-13,2) | -10 | 60 |
| 599DM2LP11000 | 24 | 25,7 | 54,5 | 2000 | 13,4 | (14-26,4) | -10 | 60 |
| 599DM4LP11000 | 48 | 25,7 | 54,5 | 2000 | 13,4 | (14-27,6) | -10 | 60 |
| 599DH1LP11000 | 12 | 29,2 | 56,5 | 2200 | 17,2 | (7-13,2) | -10 | 60 |
| 599DH2LP11000 | 24 | 29,2 | 56,5 | 2200 | 17,8 | (14-26,4) | -10 | 60 |