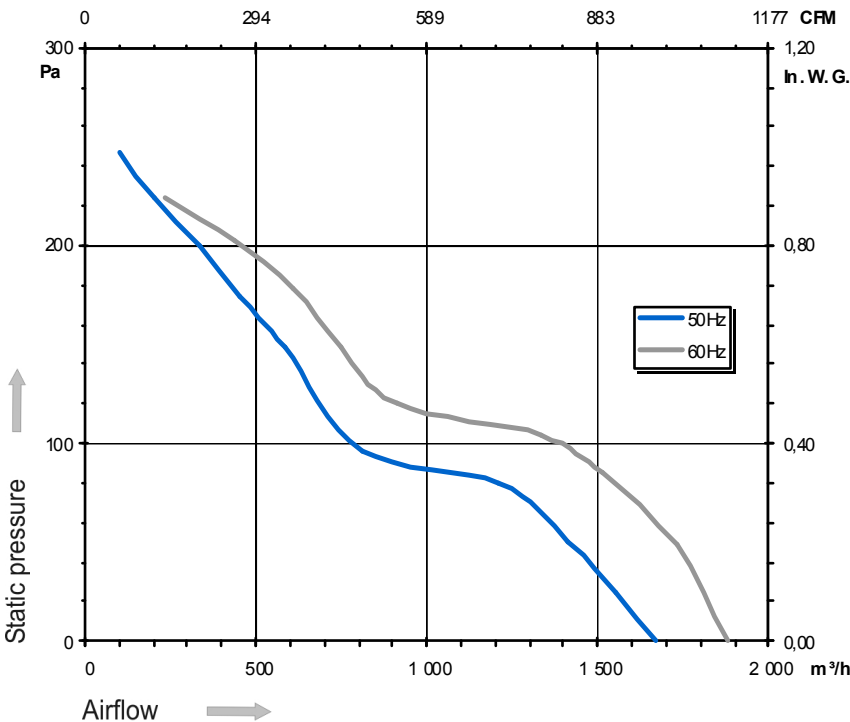
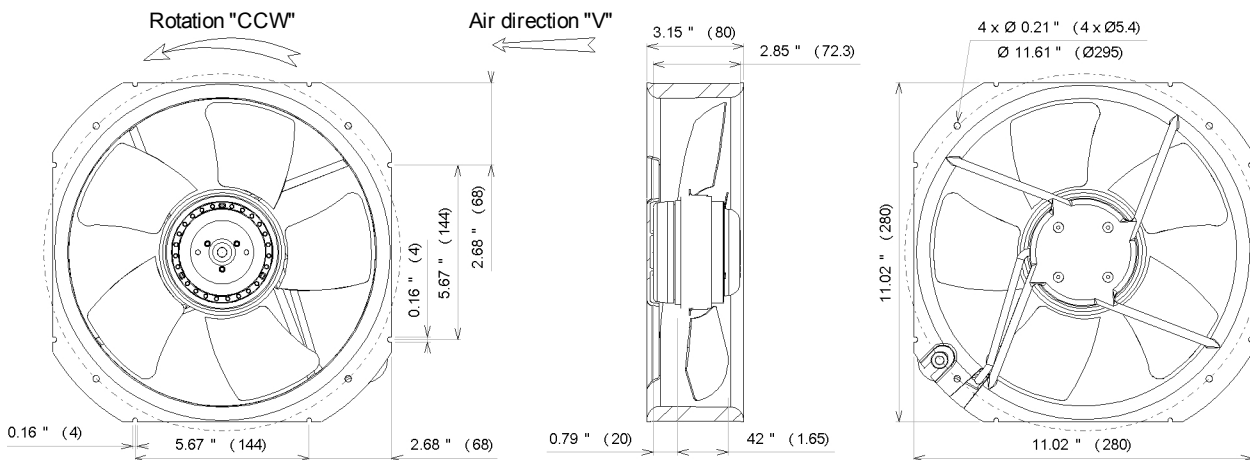


For professional use only. Please refer to the conditions of use of our catalogue.

Ind. a - Revision : 01-2011

## 2VGCu25 250V P/N E15-A0

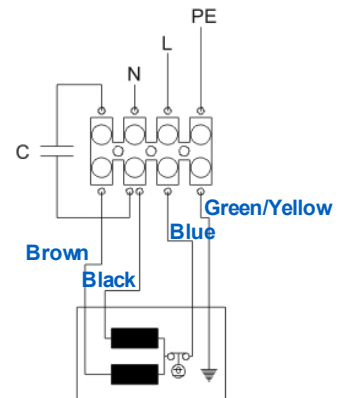
Voltage	Frequency	Input power	Current	Capacitor	Air flow	Speed rotation	Noise level	Rotation direction	Operating temperature
V	Hz	W a	A	µF	m³/h	RPM	dBA	↻	Min / Max
115	50	121	1,09	14,0	1 670	2 685	60	L	-25°C / +50°C
115	60	143	1,25	14,0	1 880	3 100	64	L	-25°C / +70°C
115	50				982 CFM				-13°F / +122°F
115	60				1106 CFM				-13°F / +158°F



- Weight : 2,8 Kg

- Ball bearing
- Class F, thermally protected
- IP44 protection
- G6.3 balancing
- Zinc coated impeller
- Rotor and impeller : black paint
- Aluminium ring
- Capacitor fixed on the ring and wired to a connexion block
- UL approved motor

UL2111 (XEW2,8)  
N° File E135223  
2RS925



Capacitor for 50Hz    Capacitor for 60Hz    Finger guard

21369

Non contractual document. All specifications are subject to change without prior notice. Picture for information only.