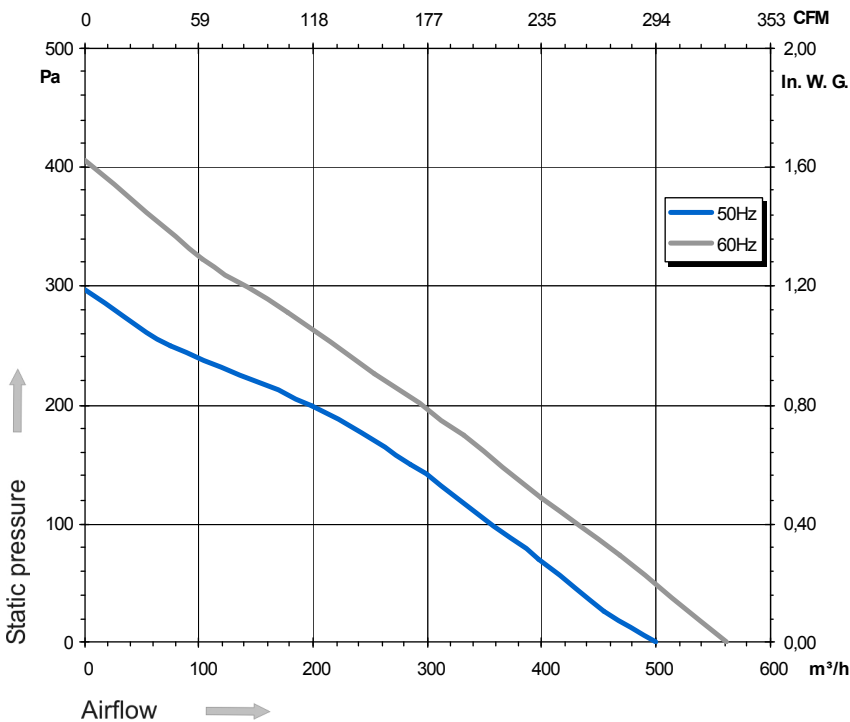
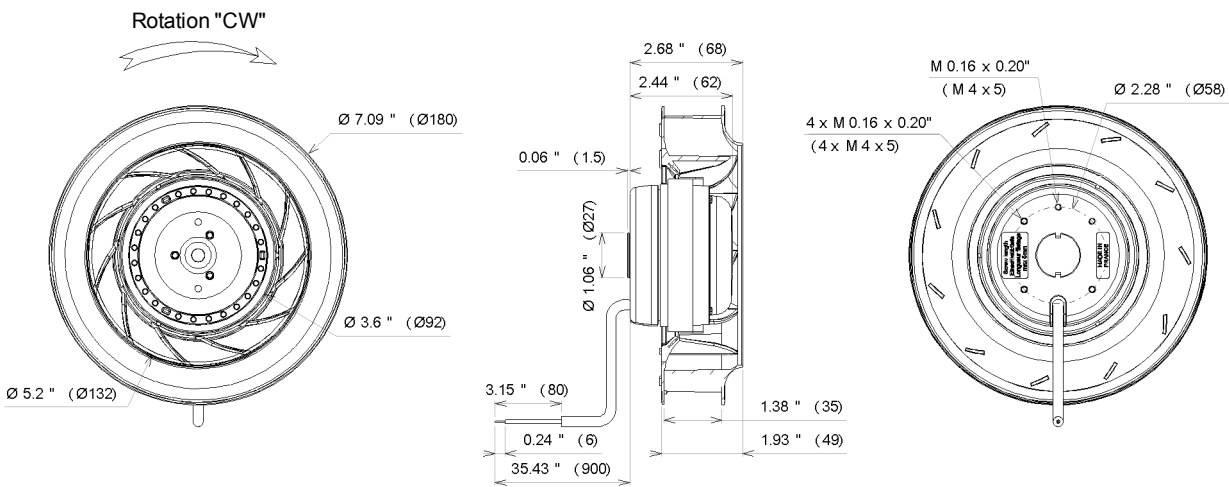


Ind. d - Revision : 01-2011

2RREu15 180x35R P/N B12-A0

Voltage	Frequency	Input power	Current	Capacitor	Airflow	Speed rotation	Noise level	Rotation direction	Operating temperature
V	Hz	Wa	A	µF	m³/h	RPM	dBA	↻	Min / Max
115	50	49	0,43	6,0	500	2 610	59	R	-40°C / +70°C
115	60	60	0,53	6,0	560	2 960	62	R	-40°C / +70°C
115	50				294 CFM				-40°F / +158°F
115	60				329 CFM				-40°F / +158°F



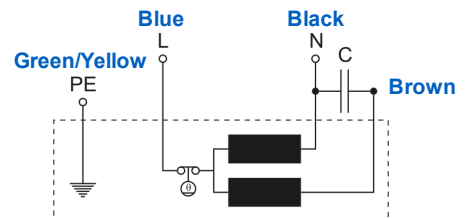
- Weight : 1,3 Kg

- Ball bearing
- Class F, thermally protected
- IP44 protection
- G2.5 balancing
- Rotor : black paint
- PA 6/6 UL 94 V-0 plastic impeller
- UL approved motor

UL2111 (XEWR2,8)
N° File E135223
2RS915



Capacitor for 50Hz	Capacitor for 60Hz	Finger guard	Inlet cone
19221	19221	21181	16043



Non contractual document. All specifications are subject to change without prior notice. Picture for information only.