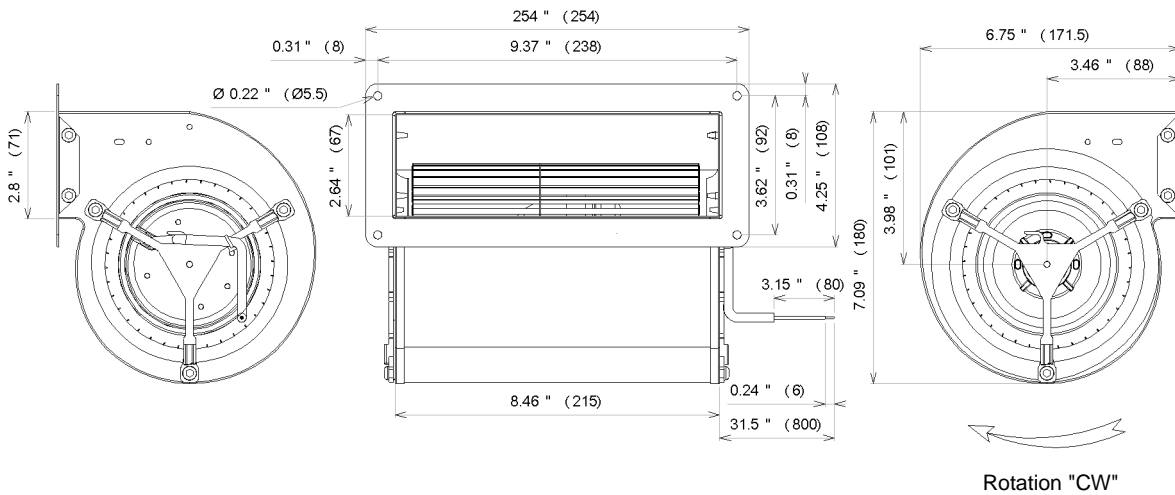


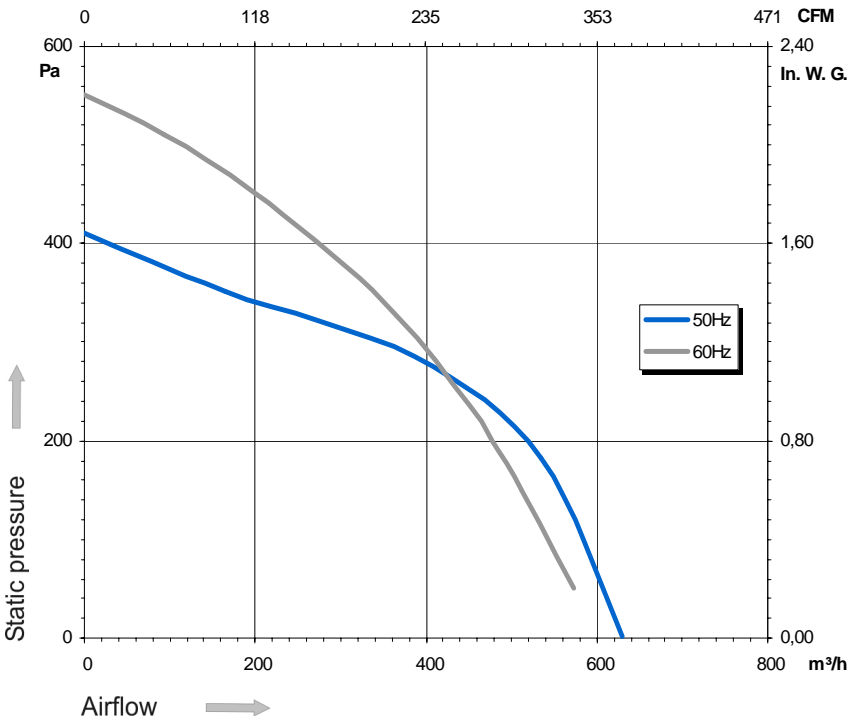
Ind. a - Revision : 08-2007

2GDSu25 133x190R P/N C50-B3

Voltage	Frequency	Input power	Current	Capacitor	Airflow	Speed rotation	Noise level	Rotation direction	Operating temperature
V	Hz	Wa	A	µF	m³/h	RPM	dBA	↻	Min / Max
115	50	203	1,78	14,0	630	1 400	50	R	-40°C / +50°C
115	60	206	1,80	14,0	570	1 475	51	R	-40°C / +50°C
115	50				370 CFM				-40°F / +122°F
115	60				335 CFM				-40°F / +122°F



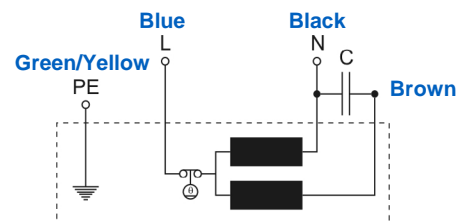
Rotation "CW"



- Weight : 3,4 Kg
- Ball bearing
- Class F, thermally protected
- IP44 protection
- G2.5 balancing
- Scroll housing : black paint
- Galvanized steel impeller
- UL approved motor



Capacitor for 50Hz: 19224
 Capacitor for 60Hz: 19224
 Finger guard: 21236



Non contractual document. All specifications are subject to change without prior notice. Picture for information only.