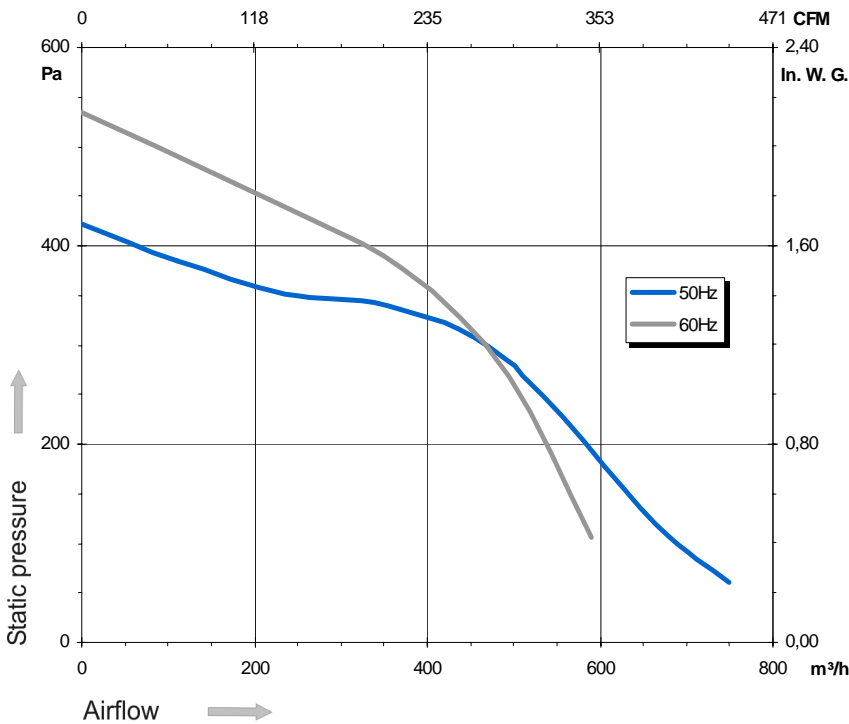
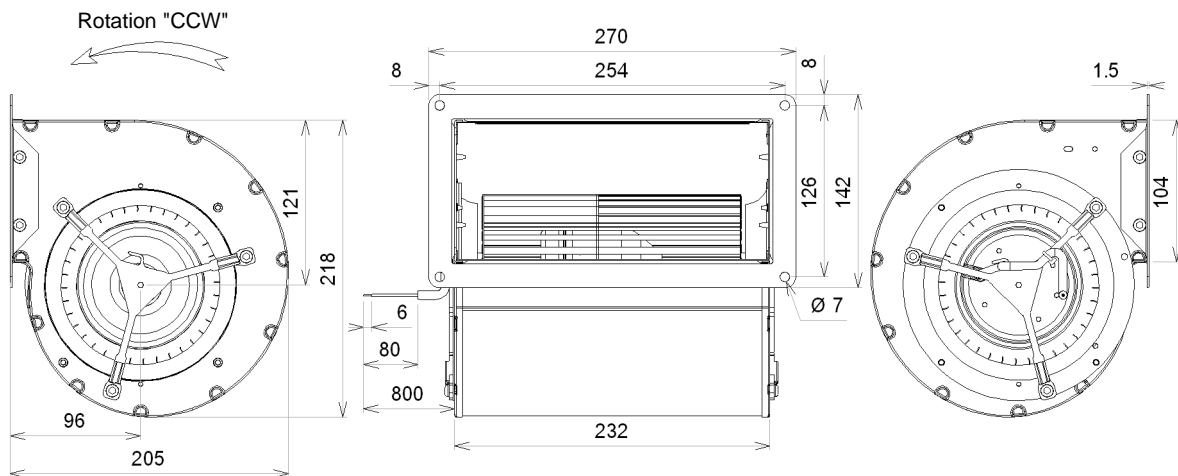


Ind. 0 - Revision : 04-2007

## 2GDSu35 133x190L P/N C50-B4

Voltage	Frequency	Input power	Current	Capacitor	Airflow	Speed rotation	Noise level	Rotation direction	Operating temperature
V	Hz	Wa	A	µF	m³/h	RPM	dBA	↻	Min / Max
115	50	199	1,85	20,0	765	1 460	51	L	-40°C / +50°C
115	60	211	1,85	20,0	575	1 700	54	L	-40°C / +50°C
115	50				450 CFM				-40°F / +122°F
115	60				338 CFM				-40°F / +122°F

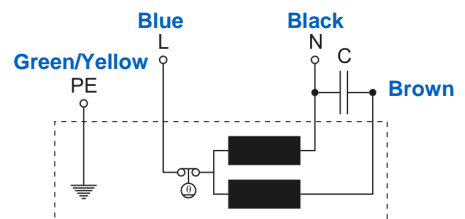


- Weight : 4,0 Kg

- Ball bearing
- Class F, thermally protected
- IP44 protection
- G2.5 balancing
- Scroll housing : black paint
- Galvanized steel impeller
- UL approved motor



Capacitor for 50Hz: 19252  
 Capacitor for 60Hz: 19252  
 Finger guard: 21338



Non contractual document. All specifications are subject to change without prior notice. Picture for information only.