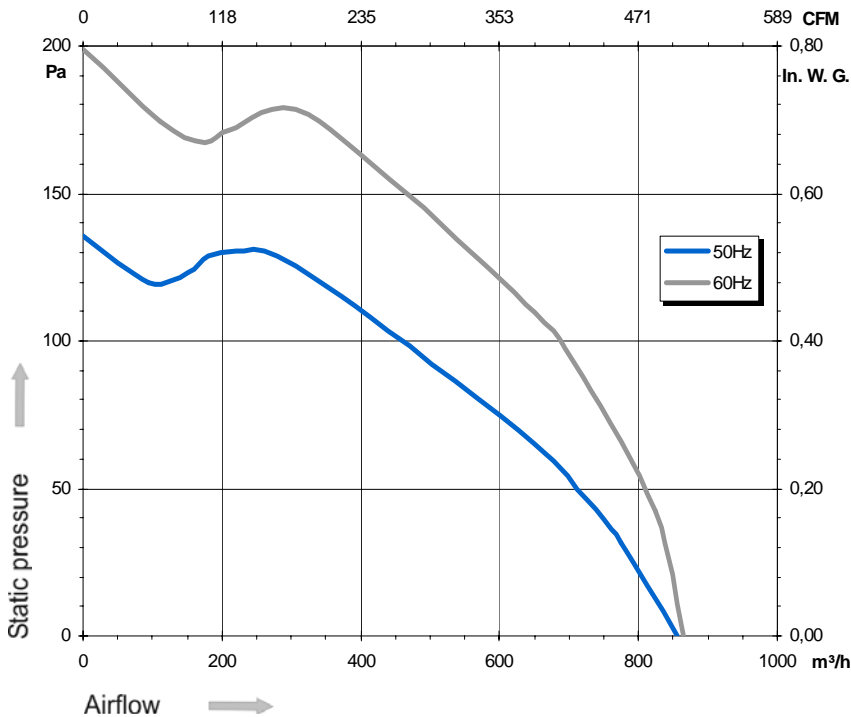
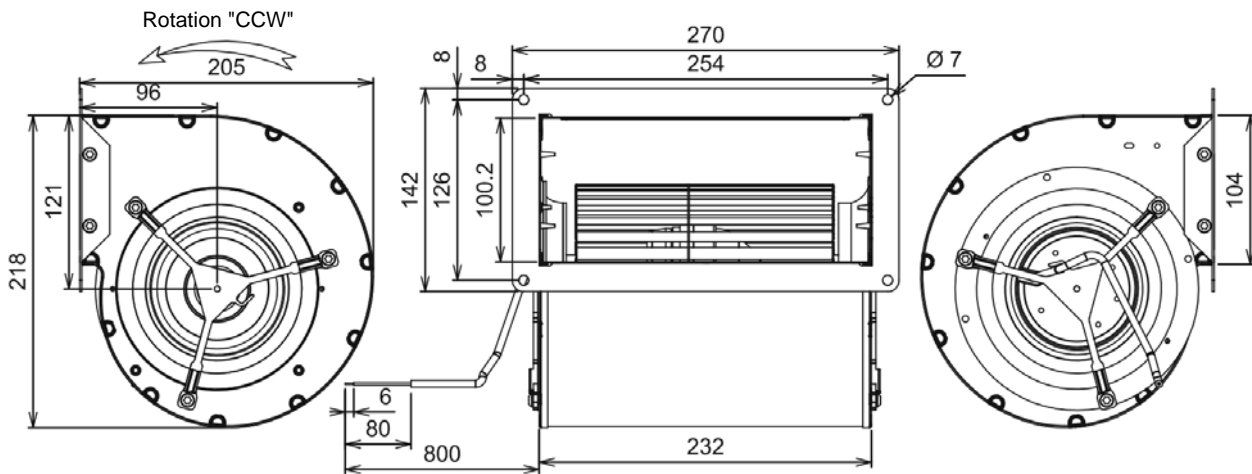


Ind. 0 - Revision : 03-2005

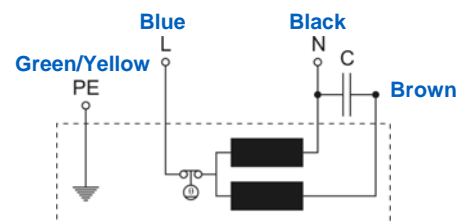
4GDSu25 146x180L P/N C50-B2



Voltage	Frequency	Input power	Current	Capacitor	Airflow	Speed rotation	Noise level	Rotation direction	Operating temperature
V	Hz	Wa	A	µF	m³/h	RPM	dBA	↻	Min / Max
115	50	125	1,10	10,0	840	1 200	53	L	-40°C / +60°C
115	60	149	1,30	10,0	965	1 190	53	L	-40°C / +60°C



- Ball bearing
- Class F, thermally protected
- IP44 protection
- G2.5 balancing
- Scroll housing : black paint
- Galvanized steel impeller
- UL approved motor



Capacitor for 50Hz	Capacitor for 60Hz	Zinc Coated
19223-0	19223-0	21338-0

Non contractual document. All specifications are subject to change without prior notice. Picture for information only.