

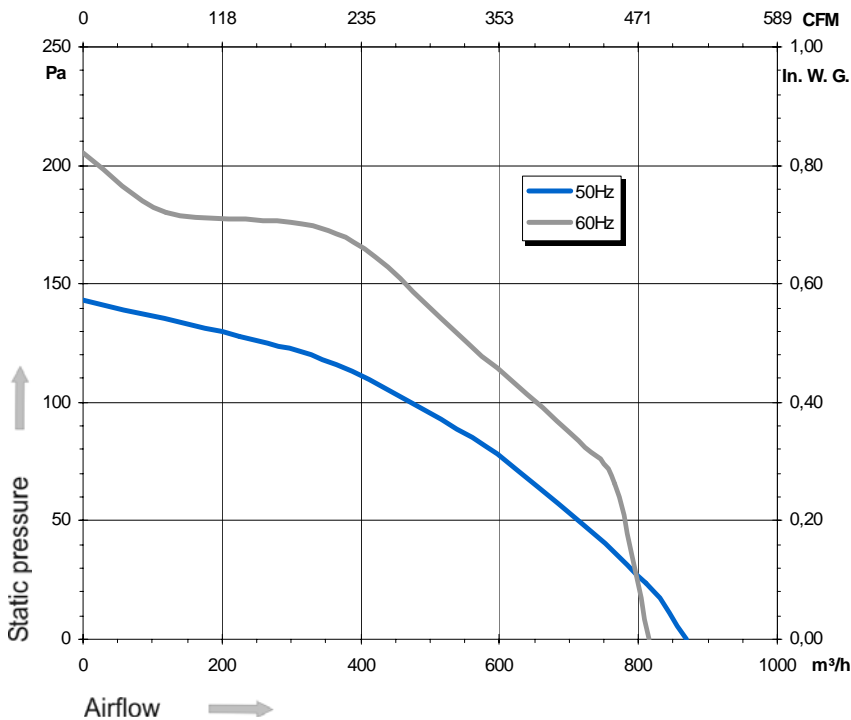
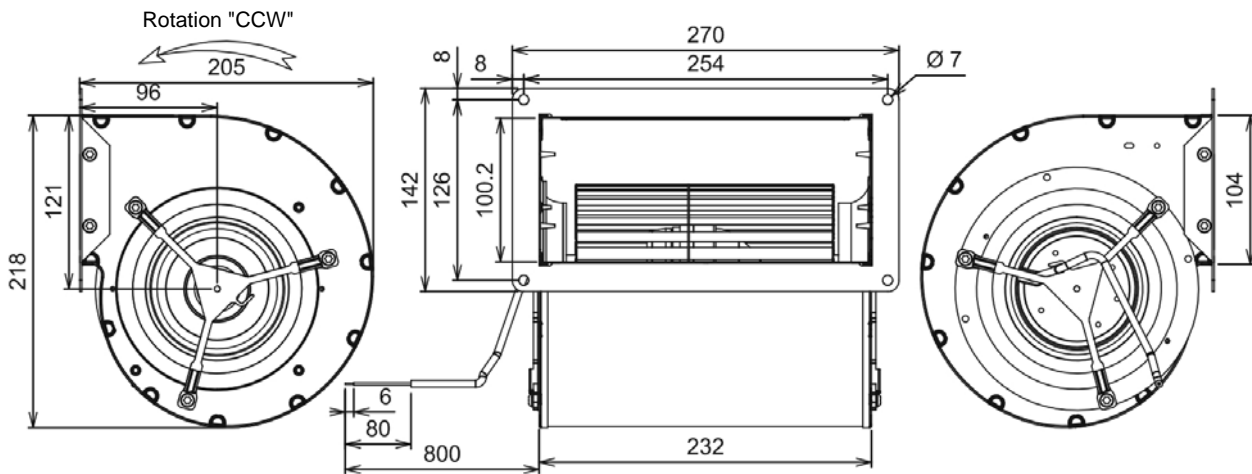


Ind. 0 - Revision : 01-2004

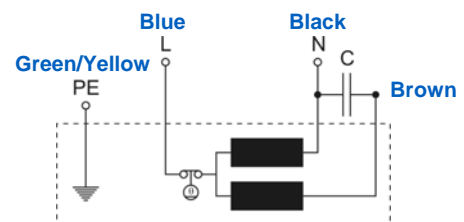
## 4GDSu25 146x180L P/N C50-A7



Voltage	Frequency	Input power	Current	Capacitor	Airflow	Speed rotation	Noise level	Rotation direction	Operating temperature
V	Hz	Wa	A	µF	m³/h	RPM	dBA	↻	Min / Max
230	50	116	0,53	2,5	870	1 100	52	L	-40°C / +70°C
230	60	134	0,61	2,5	805	1 065	52	L	-40°C / +60°C



- Ball bearing
- Class F, thermally protected
- IP44 protection
- G2.5 balancing
- Scroll housing : black paint
- Galvanized steel impeller
- UL approved motor



Capacitor for 50Hz	Capacitor for 60Hz	Zinc Coated
19218-0	19218-0	21338-0

Non contractual document. All specifications are subject to change without prior notice. Picture for information only.