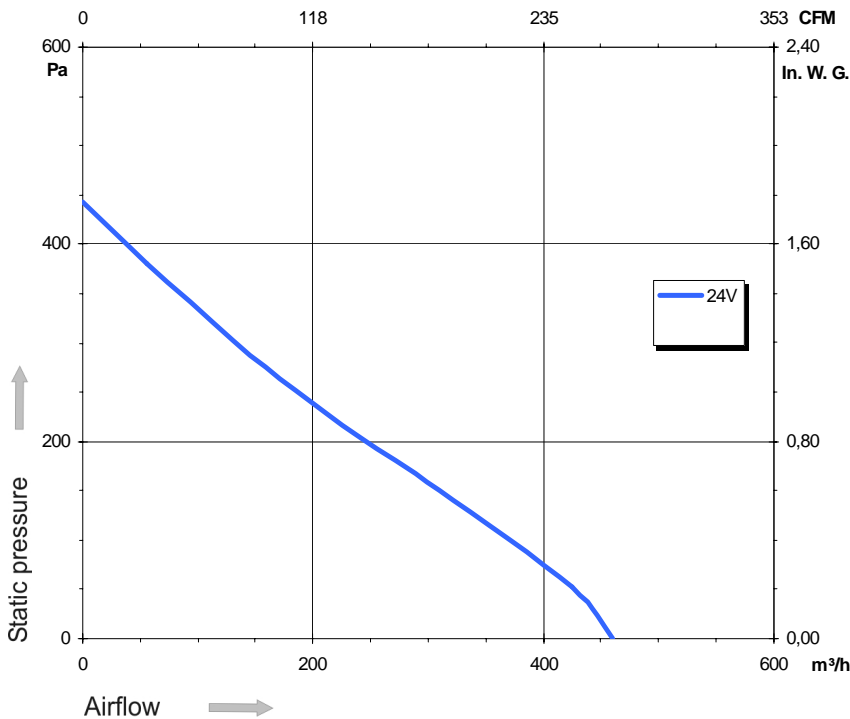
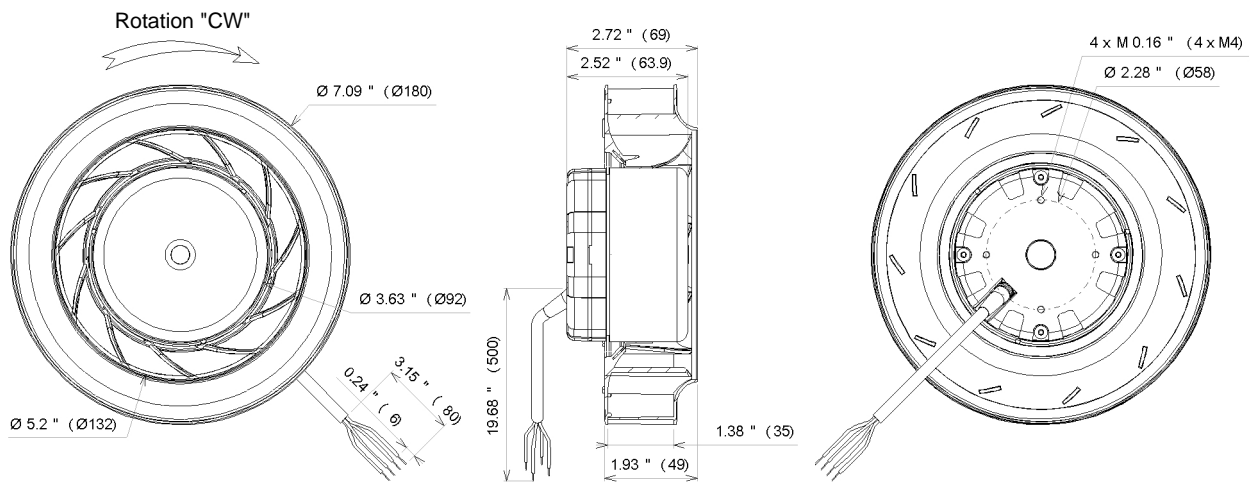


Ind. e - Revision : 07-2008

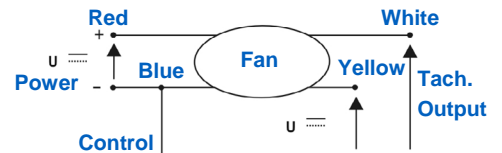
RRE24 180x35R

P/N Z48-03

Voltage	Input power	Current	Airflow	Speed rotation	Noise level	Rotation direction	Operating temperature
V	Wa	A	m ³ /h	RPM	dBA	↻	Min / Max
24	51	2,13	460	2 995	65	R	-20°C / +70°C
24			270 CFM				-4°F / +158°F



- Weight : 1,2 Kg
- Nominal voltage 24VDC (18-36VDC)
- Reverse polarity protection
- Soft start
- Locked rotor protection
- Tachometer output (open collector)
- Controlled by 0-10VDC or PWM signal
- IP44 protection
- PA 6/6 UL 94 V-0 plastic impeller



Finger guard Inlet cone

21181 16043

Non contractual document. All specifications are subject to change without prior notice. Picture for information only.