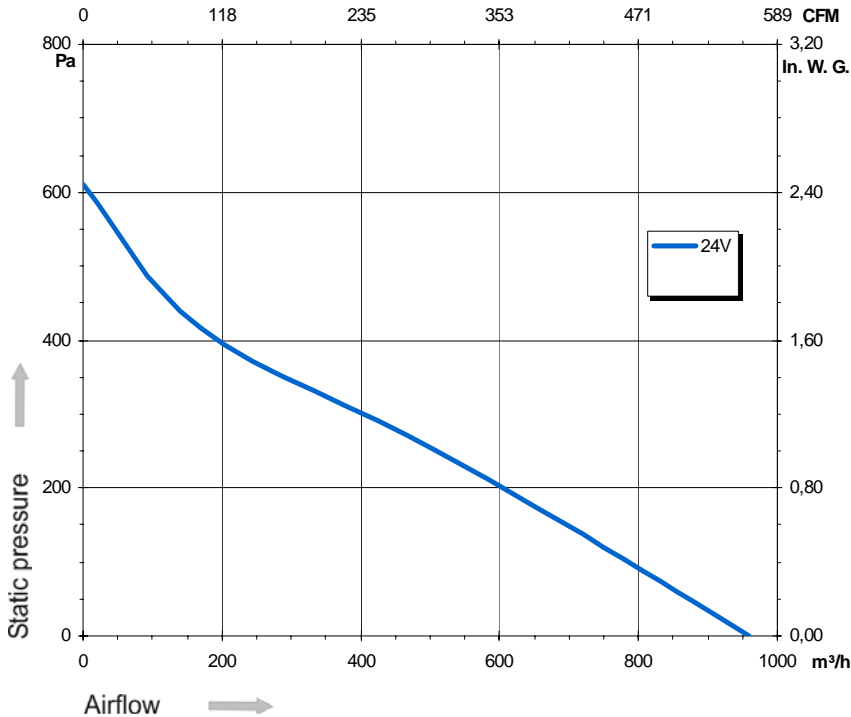
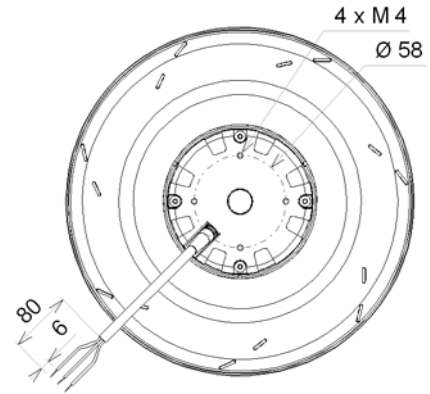
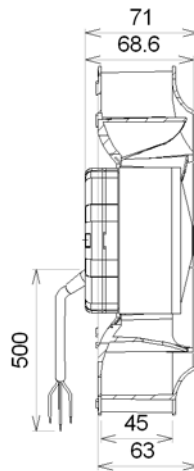
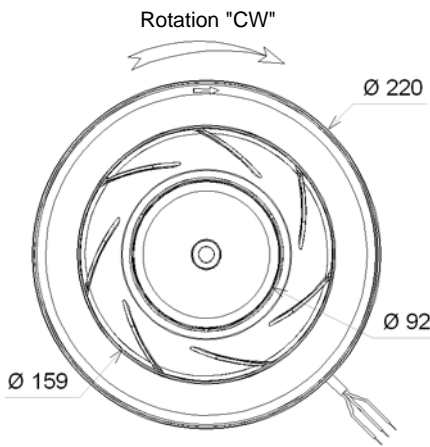


Ind. a - Revision : 05-2005

RRE24 220x45R P/N C45-C5

Substitute for Y43-13

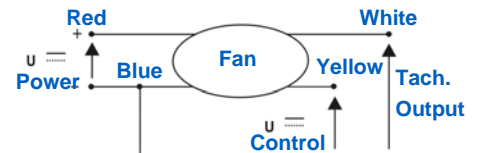
Voltage	Frequency	Input power	Current	Capacitor	Airflow	Speed rotation	Noise level	Rotation direction	Operating temperature
V	Hz	Wa	A	µF	m³/h	RPM	dBA	↻	Min / Max
24	-	100	4,18	-	960	2 740	71	R	-20°C / +70°C



- Nominal voltage 24VDC (18-36VDC)
- Reverse polarity protection
- Soft start
- Locked rotor protection
- Tachometer output (open collector)
- Controlled by 0-10VDC or PWM signal
- IP44 protection

Zinc Coated Inlet cone

21194-a 16133-a



Non contractual document. All specifications are subject to change without prior notice. Picture for information only.