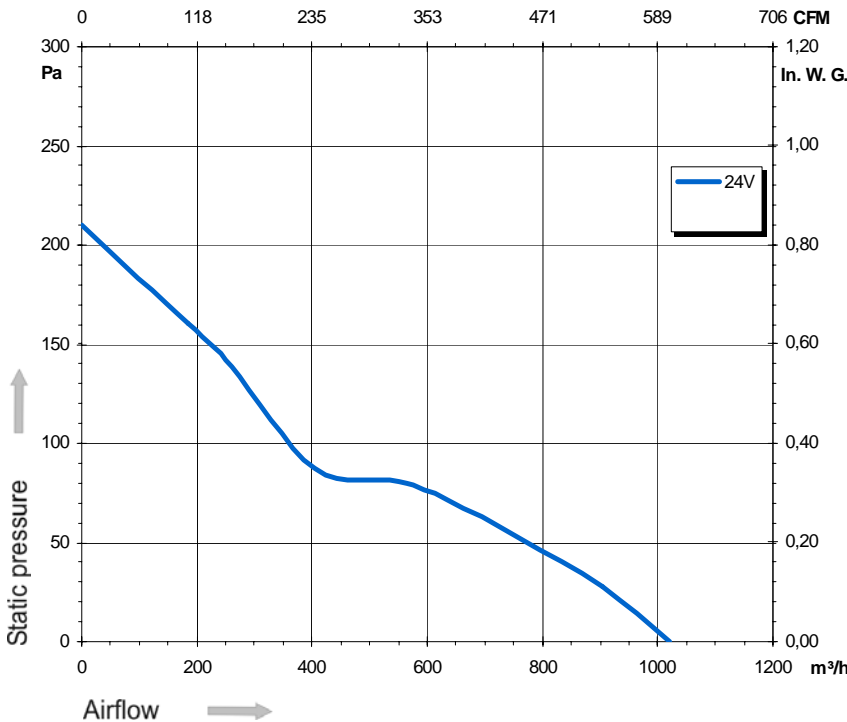
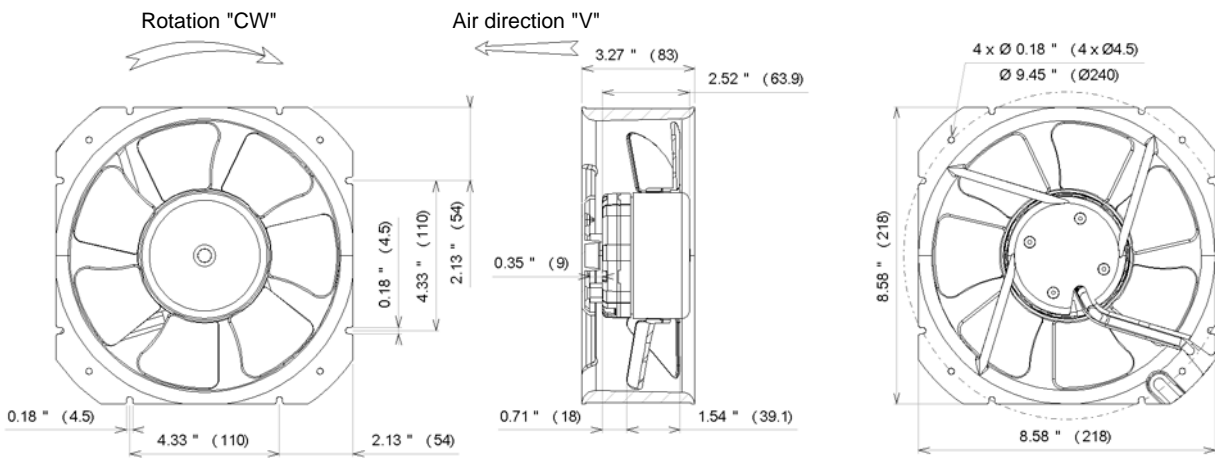


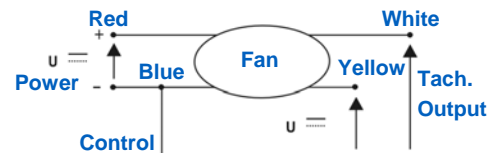
Ind. d - Revision : 11-2009

## VGC24 200V P/N C49-A5

Voltage	Input power	Current	Airflow	Speed rotation	Noise level	Rotation direction	Operating temperature
V	Wa	A	m³/h	RPM	dBA	↻	Min / Max
24	59	2,44	1 020	2 800	63	R	-20°C / +70°C
24			600 CFM				-4°F / +158°F



- Weight : 1,9 Kg
- Nominal voltage 24VDC (18-36VDC)
- Reverse polarity protection
- Soft start
- Locked rotor protection
- Tachometer output (open collector)
- Controlled by 0-10VDC or PWM signal
- IP44 protection
- Aluminium ring
- G6.3 balancing
- Plastic impeller PA 6/6
- Connexion block fixed on ring



Non contractual document. All specifications are subject to change without prior notice. Picture for information only.

Finger guard

21360