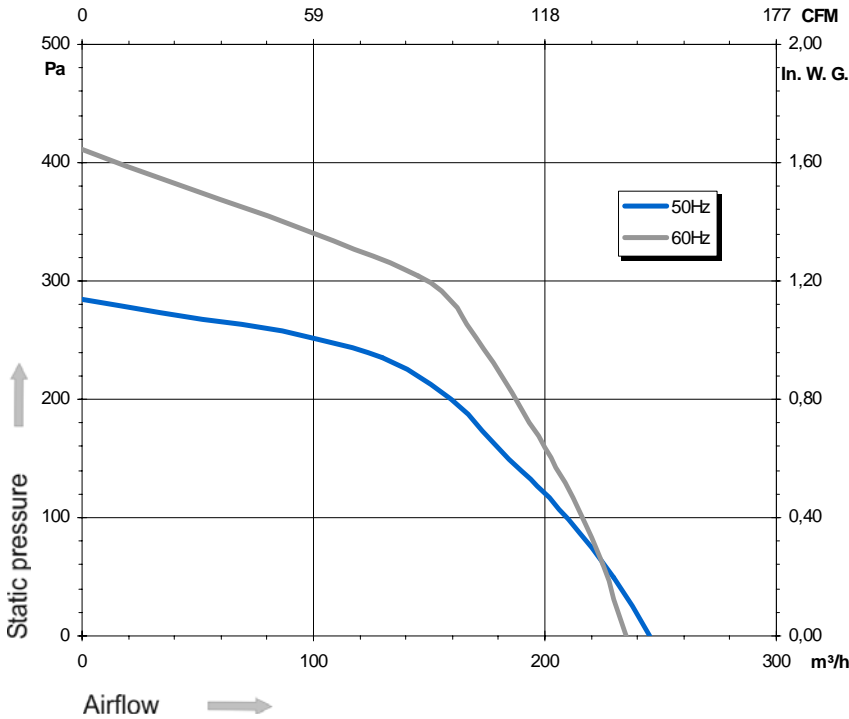
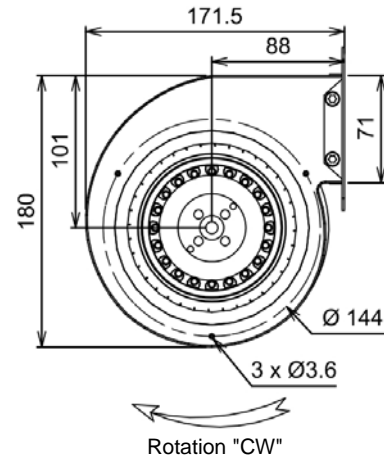
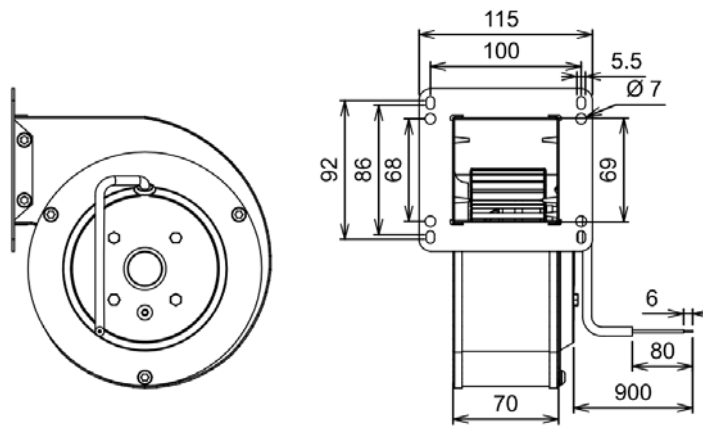


Ind. a - Revision : 07-2004

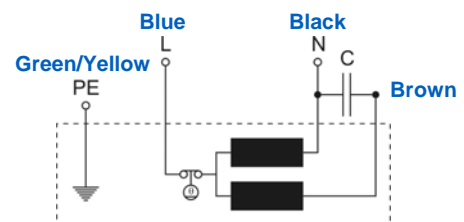
2GREu15 133x49R P/N C48-B7



Voltage	Frequency	Input power	Current	Capacitor	Airflow	Speed rotation	Noise level	Rotation direction	Operating temperature
V	Hz	Wa	A	µF	m³/h	RPM	dBA	↻	Min / Max
115	50	77	0,70	7,0	245	2 050	57	R	-40°C / +70°C
115	60	94	0,85	7,0	235	2 055	57	R	-40°C / +70°C



- Ball bearing
- Class F, thermally protected
- IP44 protection
- G2.5 balancing
- Galvanized steel impeller
- Rotor : black paint
- Scroll housing : black paint
- UL approved motor



Capacitor for 50Hz	Capacitor for 60Hz	Zinc Coated
19227-0	19227-0	21236-a

Non contractual document. All specifications are subject to change without prior notice. Picture for information only.