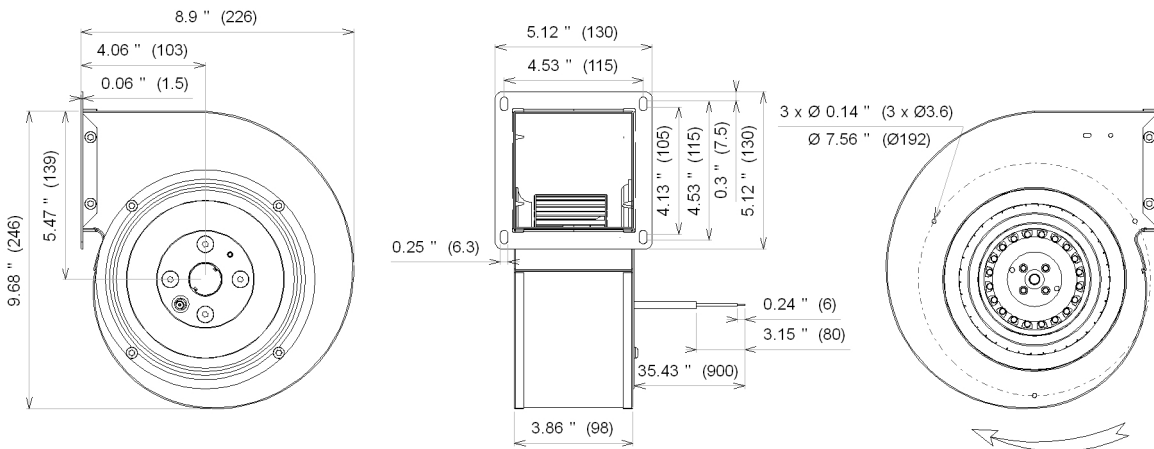


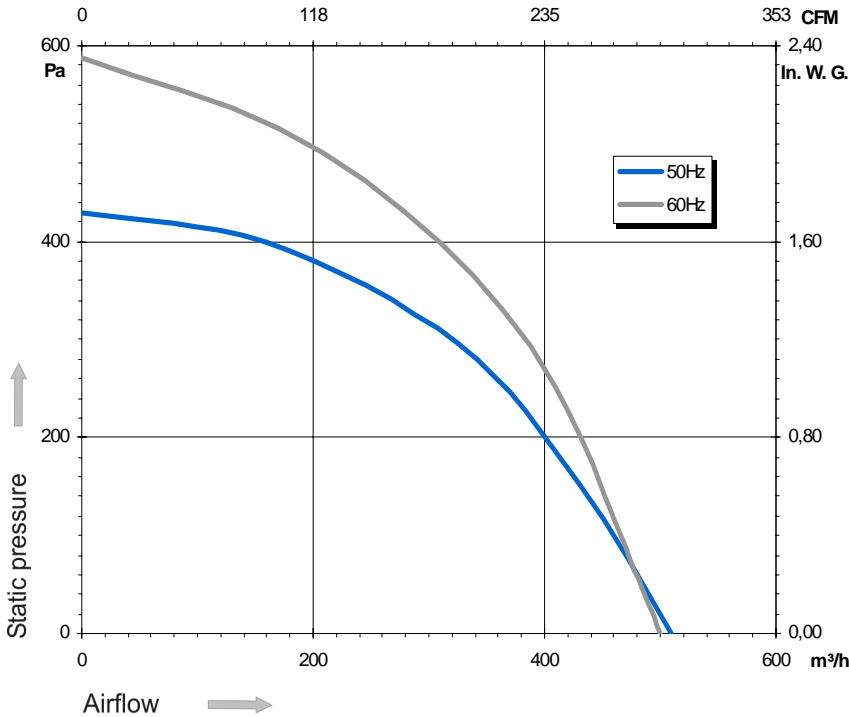
Ind. 0 - Revision : 04-2007

2GREu25 140x59R P/N C48-A9

Voltage	Frequency	Input power	Current	Capacitor	Airflow	Speed rotation	Noise level	Rotation direction	Operating temperature
V	Hz	Wa	A	μF	m³/h	RPM	dBA	↻	Min / Max
115	50	182	1,59	16,0	510	2 210	61	R	-40°C / +70°C
115	60	219	1,91	16,0	500	2 135	61	R	-40°C / +70°C
115	50				300 CFM				-40°F / +158°F
115	60				294 CFM				-40°F / +158°F



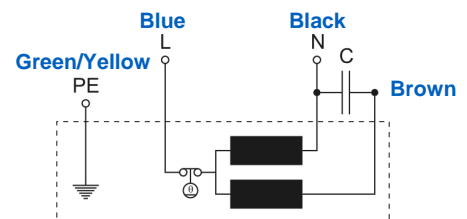
Rotation "CW"



- Weight : 2,9 Kg
- Ball bearing
- Class F, thermally protected
- IP44 protection
- G2.5 balancing
- Galvanized steel impeller
- Rotor : black paint
- Scroll housing : black paint
- UL approved motor



Capacitor for 50Hz	Capacitor for 60Hz	Finguer guard	Inlet cone
19251	19251	21325	16043



Non contractual document. All specifications are subject to change without prior notice. Picture for information only.