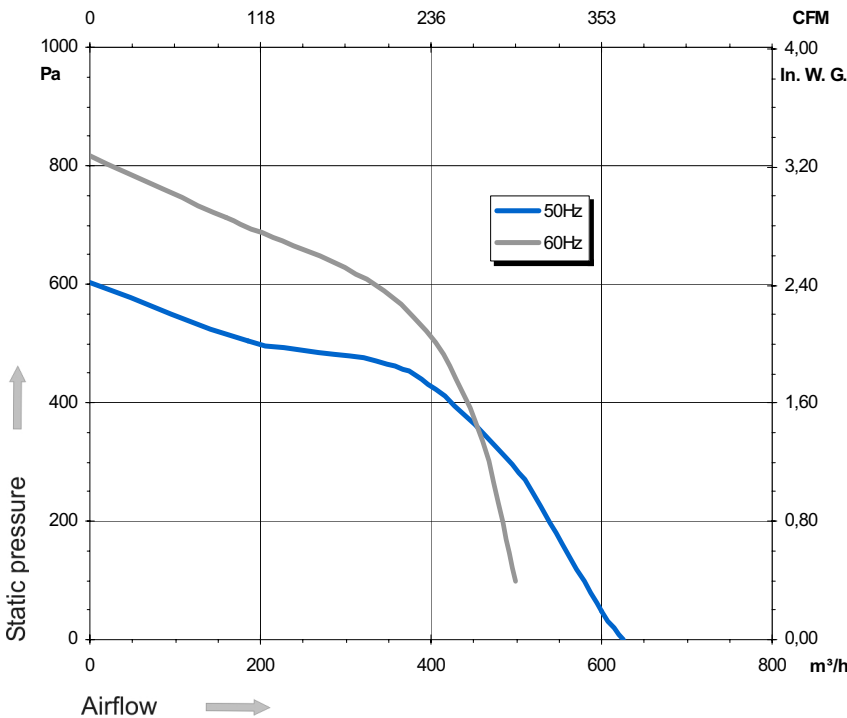
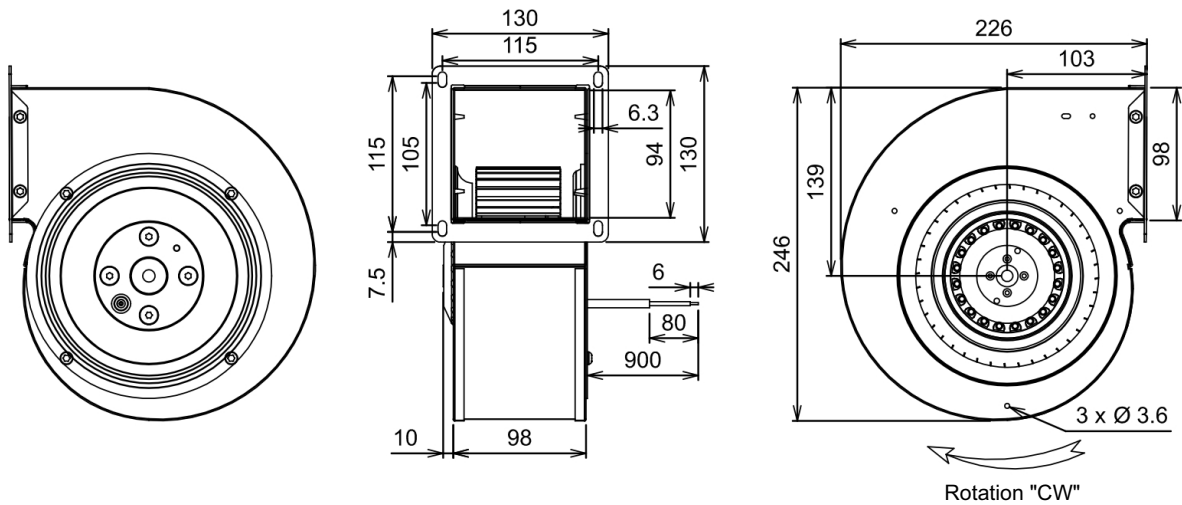


Ind. 0 - Revision : 12-2003

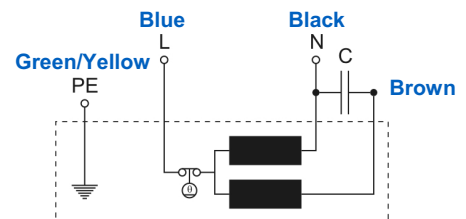
2GREu45 160x62R P/N C45-C0



Voltage	Frequency	Input power	Current	Capacitor	Airflow	Speed rotation	Noise level	Rotation direction	Operating temperature
V	Hz	Wa	A	µF	m³/h	RPM	dBA	↻	Min / Max
230	50	264	1,15	6,0	625	2 130	67	R	-40°C / +50°C
230	60	274	1,20	5,0	500	2 055	63	R	-40°C / +50°C



- Ball bearing
- Class F, thermally protected
- IP44 protection
- G2.5 balancing
- Galvanized steel impeller
- Rotor : black paint
- Scroll housing : black paint
- UL approved motor



Capacitor for 50Hz	Capacitor for 60Hz	Zinc Coated	Inlet cone
19221-0	19216-0	21291-0	16154-0

Non contractual document. All specifications are subject to change without prior notice. Picture for information only.