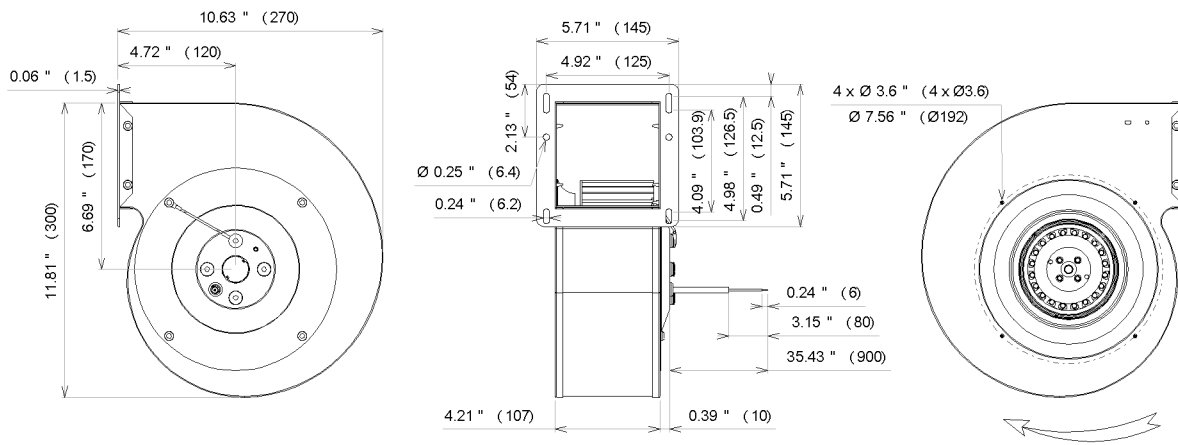


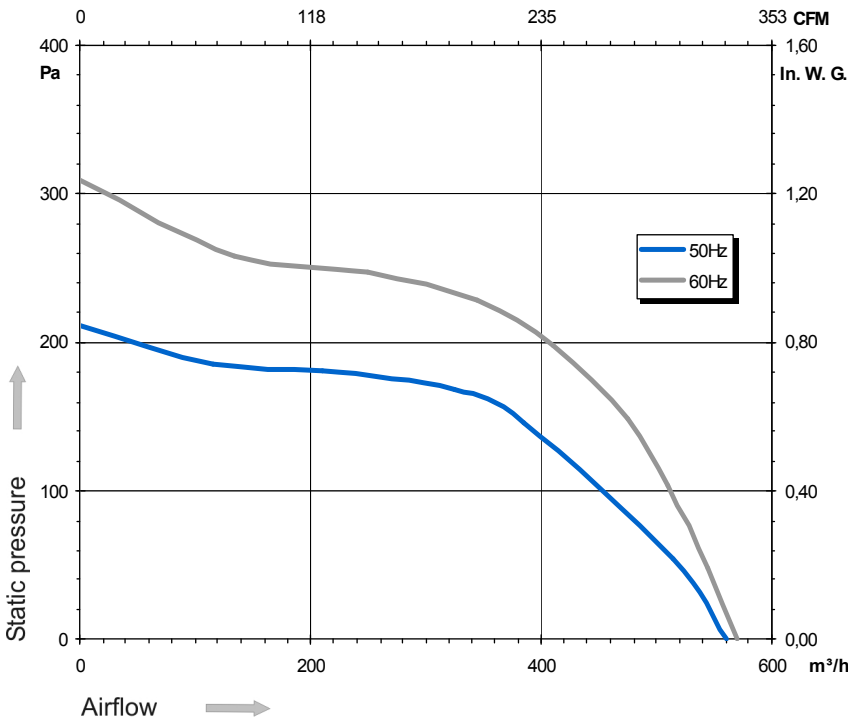
Ind. a - Revision : 04-2010

4GREu35 180x75R P/N C48-B5

Voltage	Frequency	Input power	Current	Capacitor	Airflow	Speed rotation	Noise level	Rotation direction	Operating temperature
V	Hz	Wa	A	µF	m³/h	RPM	dBA	↻	Min / Max
115	50	104	1,00	12,0	560	1 075	53	R	-40°C / +70°C
115	60	119	1,09	12,0	570	1 085	53	R	-40°C / +70°C
115	50				329 CFM				-40°F / +158°F
115	60				335 CFM				-40°F / +158°F



Rotation "CW"



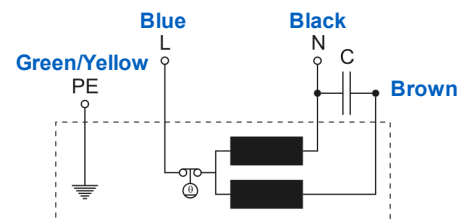
- Weight : 4,5 Kg

- Ball bearing
- Class F, thermally protected
- IP44 protection
- G2.5 balancing
- PA 6/6 UL 94 V-0 plastic impeller
- Rotor : black paint
- Scroll housing : black paint
- UL approved motor

UL2111 (XEWR2,8)
N° File E135223
4RS935



Capacitor for 50Hz	Capacitor for 60Hz	Finger guard	Inlet cone
19237	19237	21194	16133



Non contractual document. All specifications are subject to change without prior notice. Picture for information only.