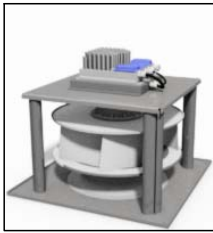
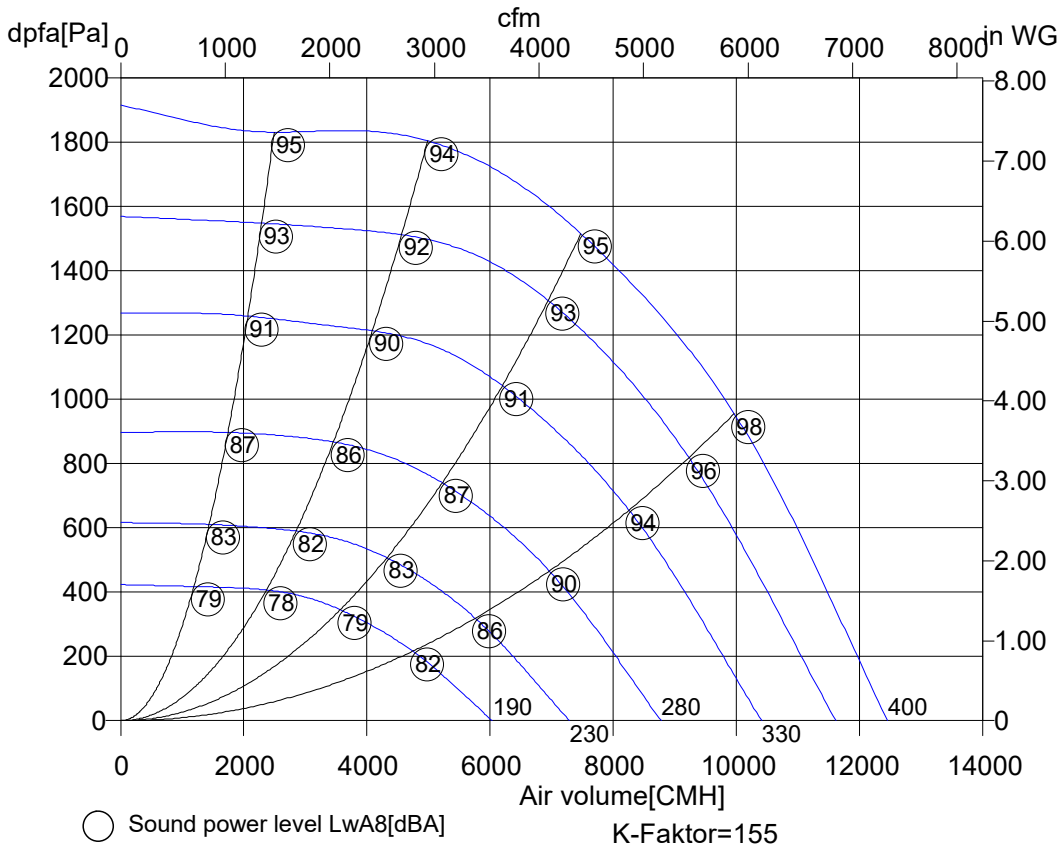


Tuesday, 17.October 2017



Free running impellers with EC motor

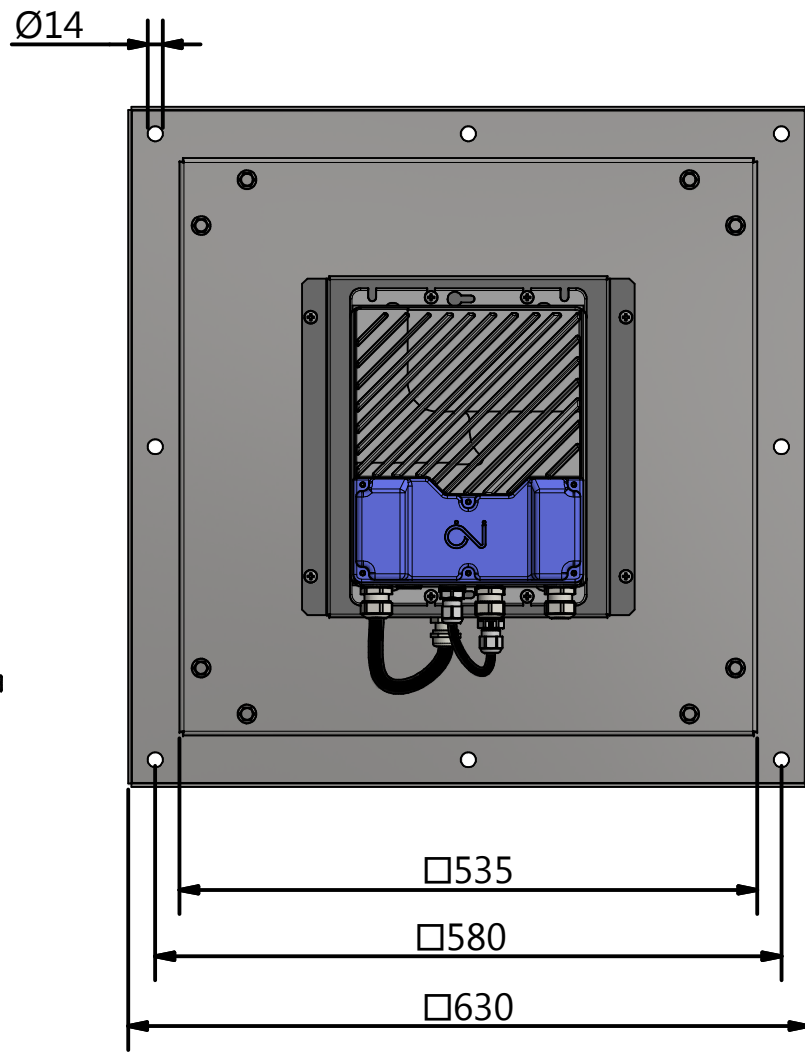
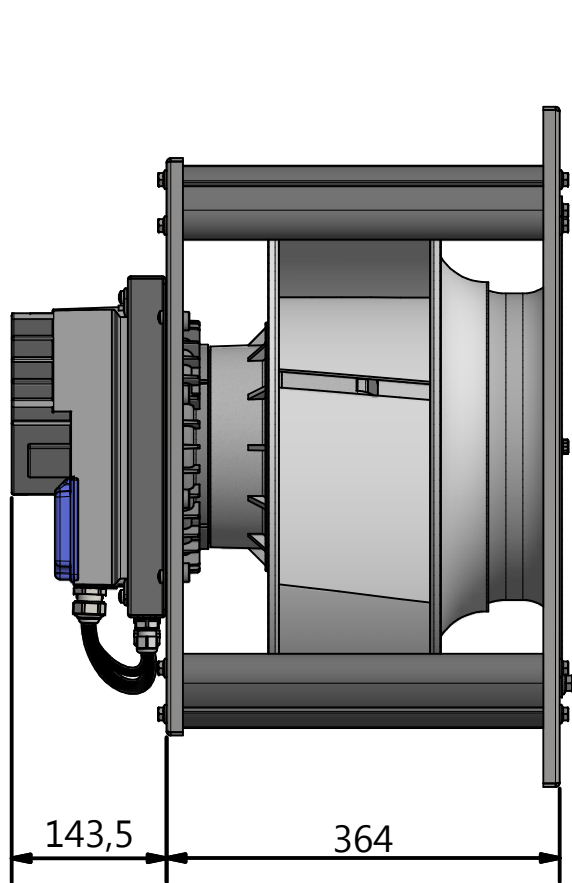


GKHM 450-CEB140.6IF IE

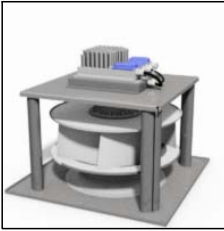
Art. No.	N88-45366
U[V]	3~380-480
f[Hz]	50/60
P[kW]	5.3
I[A]	8.1@400V
n[1/min]	2430
C[μF]	--
tR[°C]	40
dpst[Pa]	--
Delta I[%]	--
Ia/In	--
IP	54
Weight[kG]	44
Wir. diag.	01.453
Overall eff [%]	62.6
Eff. Grade N	66
Power input [kW]	5.23
Air flow [m³/h]	7396
Press. [Pa]	1522
Speed [1/min]	2430
Velocity [m/s]	9.16

Octave sound power level

f[Hz]	125	250	500	1000	2000	4000	8000
LwA8[dBA]:	-24	-8	-6	-5	-7	-12	-20
LwA6[dBA]:	-27	-11	-9	-8	-10	-15	-23
LwA5[dBA]:	-32	-15	-14	-12	-14	-17	-24



Tuesday, 17.October 2017



Free running impellers with EC motor

GKHM 450-CEB140.6IF IE

