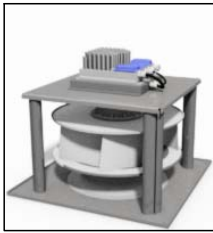
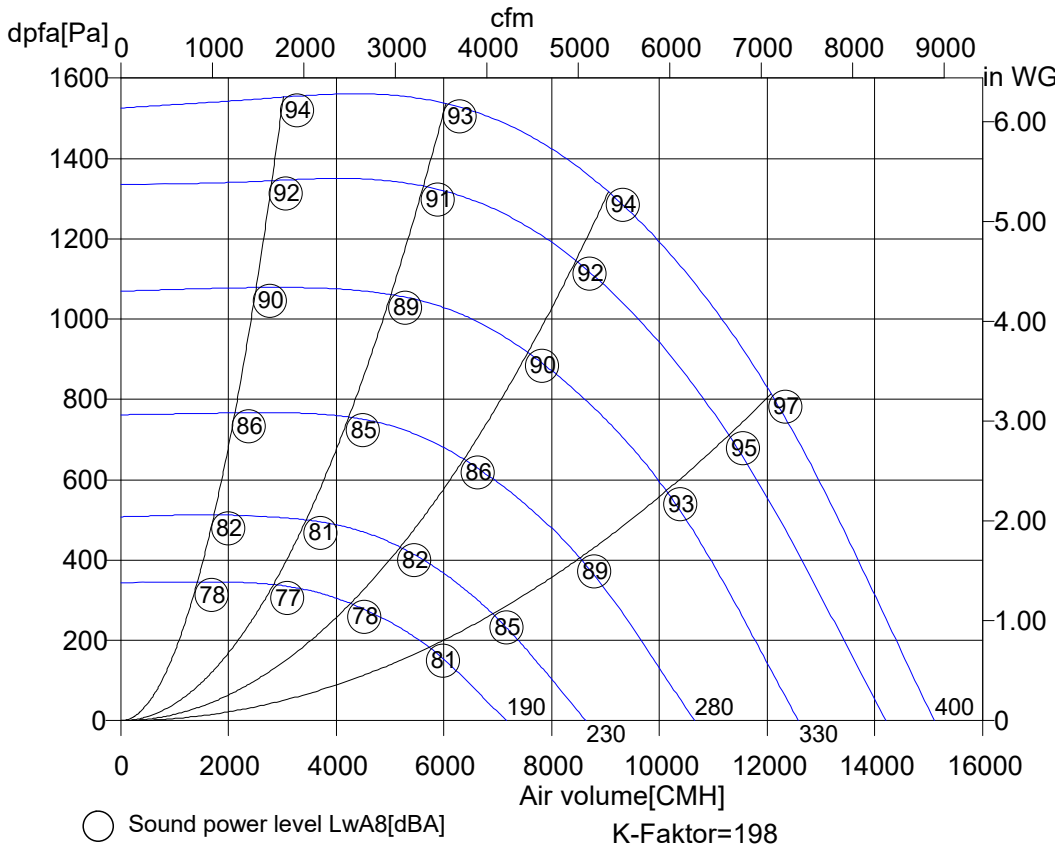


Tuesday, 17.October 2017



## Free running impellers with EC motor

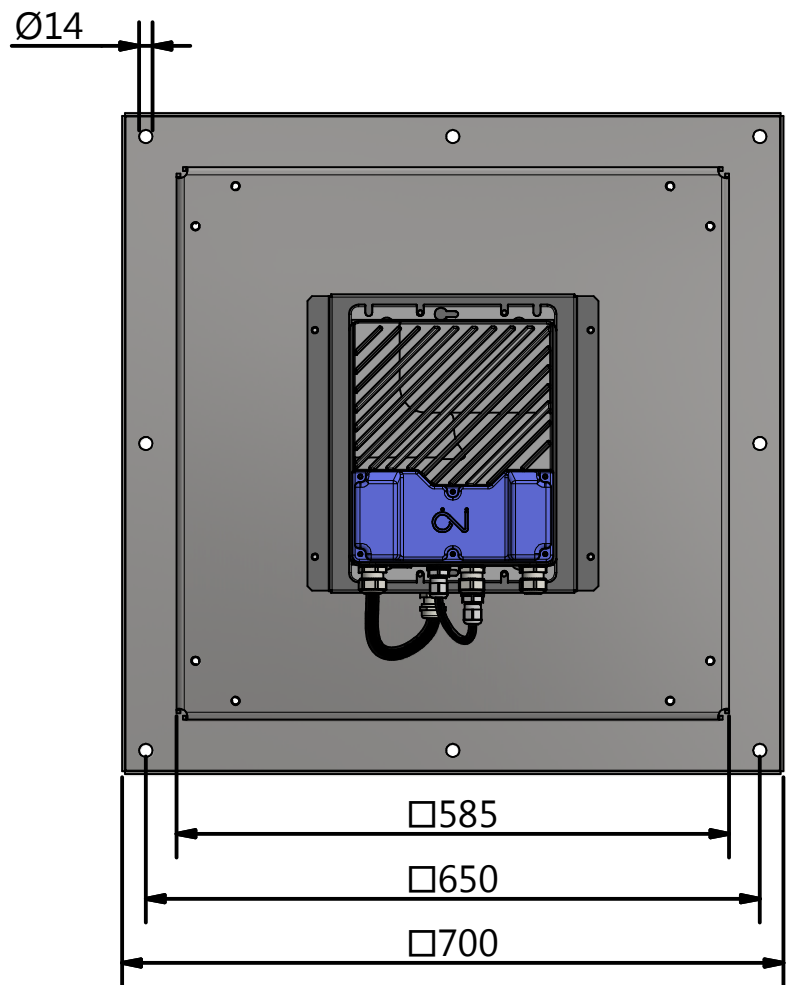
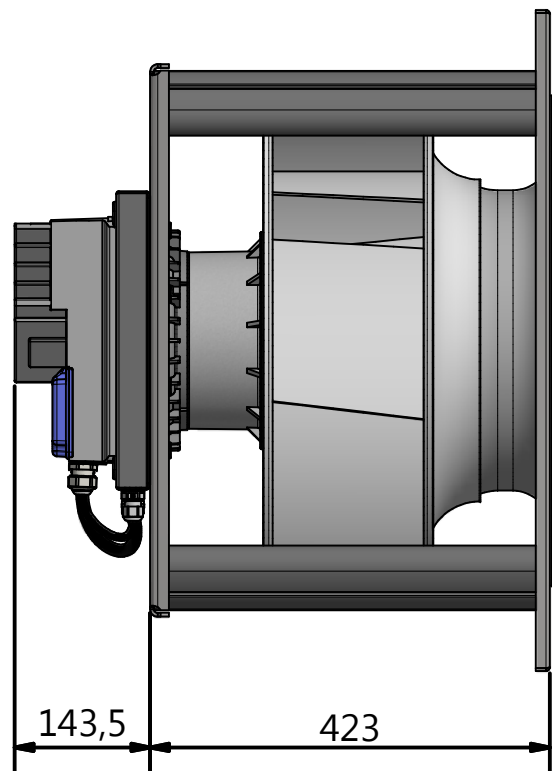


### GKHM 500-CEB160.6NA IE

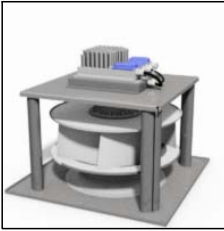
Art. No.	N88-50362
U[V]	3~380-480
f[Hz]	50/60
P[kW]	5.5
I[A]	8.4@400V
n[1/min]	2000
C[μF]	-
tR[°C]	40
dpst[Pa]	-
Delta I[%]	-
Ia/In	-
IP	54
Weight[kG]	57
Wir. diagr.	01.453
Overall eff [%]	63.2
Eff. Grade N	66
Power input [kW]	5.42
Air flow [m³/h]	8546
Press. [Pa]	1379
Speed [1/min]	2000
Velocity [m/s]	8.31

### Octave sound power level

f[Hz]	125	250	500	1000	2000	4000	8000
LwA8[dBA]:	-11	-8	-7	-5	-9	-15	-20
LwA6[dBA]:	-14	-11	-10	-8	-12	-18	-23
LwA5[dBA]:	-24	-15	-12	-14	-15	-17	-23



Tuesday, 17.October 2017



## Free running impellers with EC motor

### GKHM 500-CEB160.6NA IE

