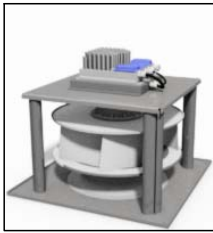
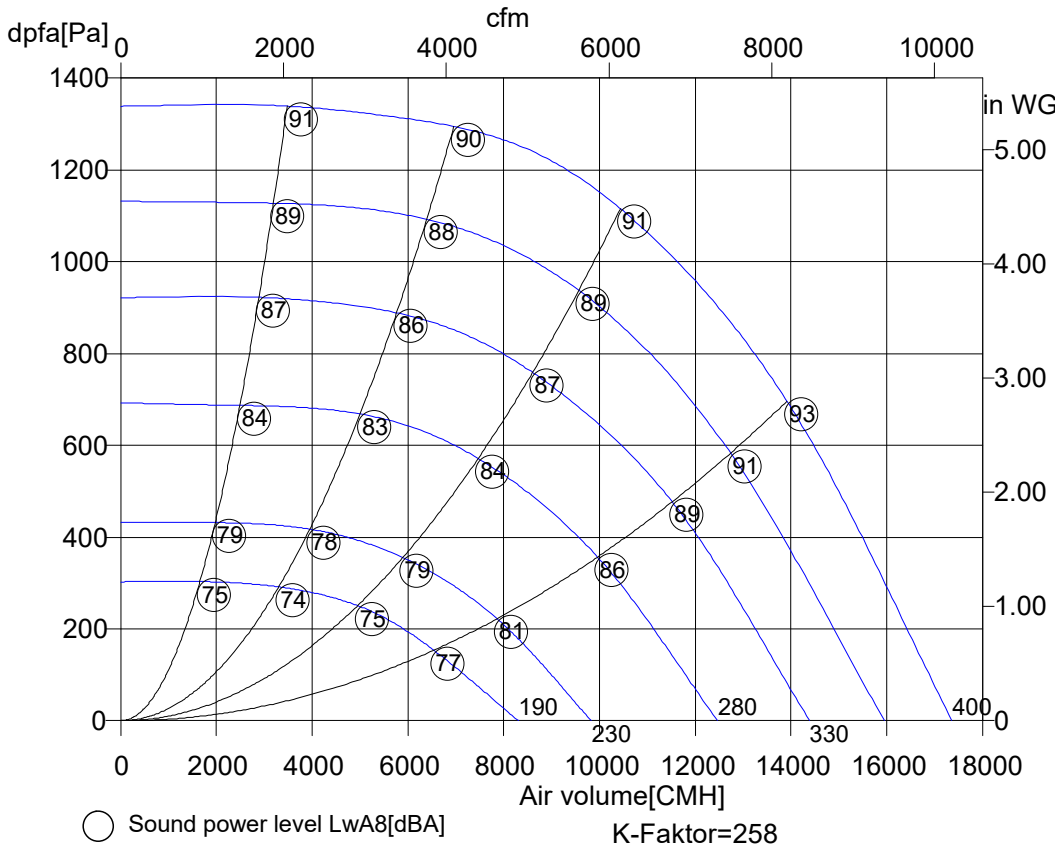


Tuesday, 17.October 2017



Free running impellers with EC motor

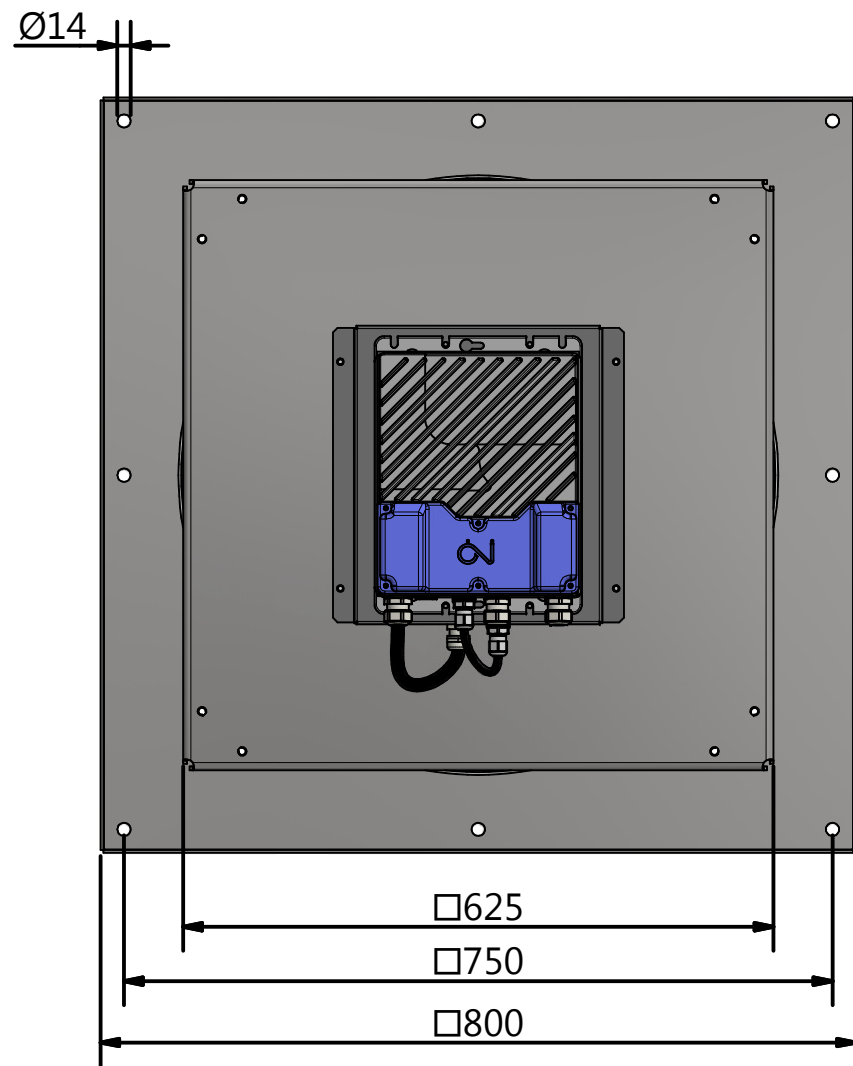
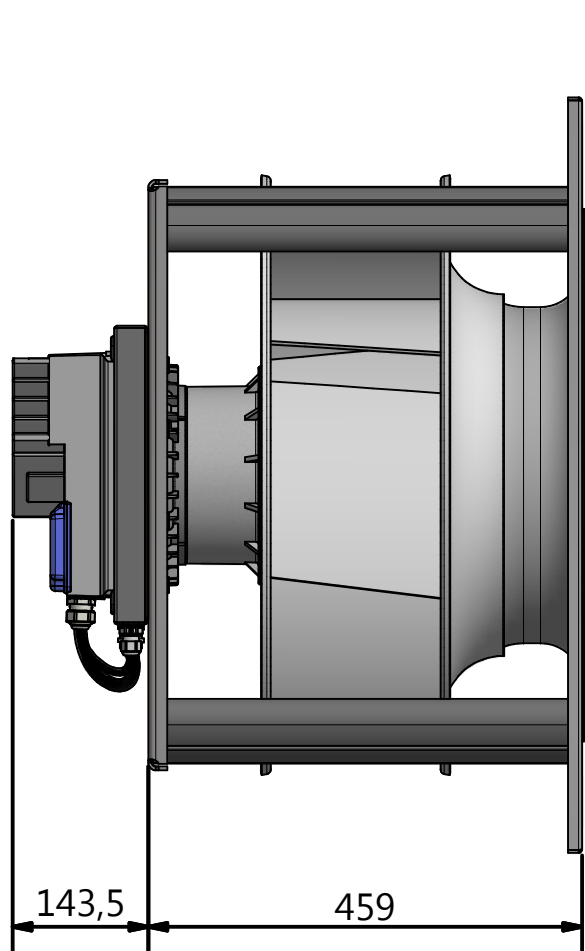


GKHM 560-CEB180.6NA IE

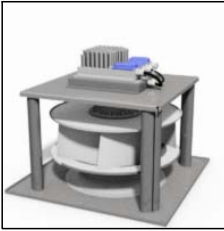
Art. No.	N88-56354
U[V]	3~380-480
f[Hz]	50/60
P[kW]	5.2
I[A]	7.9@400V
n[1/min]	1680
C[μF]	-
tR[°C]	40
dpst[Pa]	-
Delta I[%]	-
Ia/In	-
IP	54
Weight[kG]	67
Wir. diagr.	01.453
Overall eff [%]	65.1
Eff. Grade N	68
Power input [kW]	5.24
Air flow [m³/h]	10729
Press. [Pa]	1093
Speed [1/min]	1680
Velocity [m/s]	8.25

Octave sound power level

f[Hz]	125	250	500	1000	2000	4000	8000
LwA8[dBA]:	-12	-9	-7	-5	-8	-12	-19
LwA6[dBA]:	-15	-12	-10	-8	-11	-15	-22
LwA5[dBA]:	-19	-17	-14	-13	-14	-17	-23



Tuesday, 17.October 2017



Free running impellers with EC motor

GKHM 560-CEB180.6NA IE

