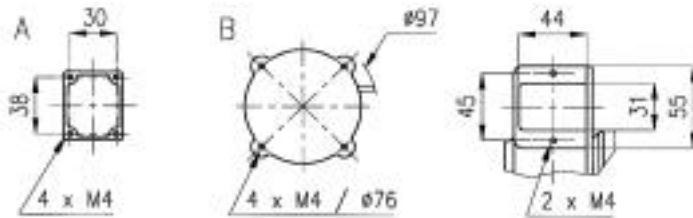
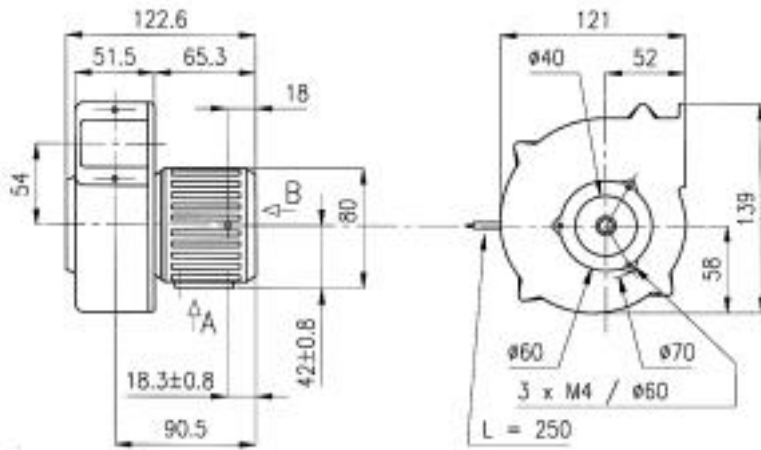


# 121 x 139 x 122,6 mm

# ETRI®

AC Centrifugal Blowers

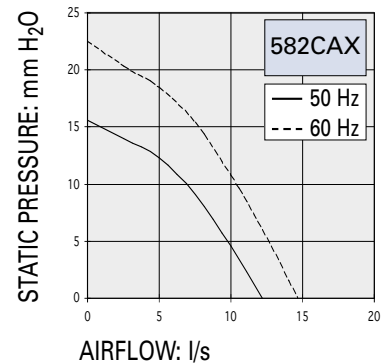


### Approvals

GAM T1 LISTED

### Life expectancy

L-10 LIFE AT 40°C:  
25 000 hours



### AC motor

Housing material: aluminium  
Wheel material: aluminium  
Weight: 1,77 kg  
Bearing system: ball bearing

Connection: flying leads

### Available with:

- safety switch

Part number	Nominal voltage	Airflow	Noise level	Nominal speed	Frequency	Phases	Capacitor (not included)	Input power	Nominal current	Starting current	Operating temperature	
	V	l/s	dB(A)	RPM	Hz						Min. °C	Max. °C
582CAX016DC13	220	12	48	2900	50	3		9	70	240	- 10	70
	380	12	48	2900	50	3		9	45	140	- 10	70
	220	14,5	51	3400	60	3		9	55	220	- 10	70
	380	14,5	51	3400	60	3		9	35	130	- 10	70
	220	12	48	2900	50	1	0,47	9,5	80	210	- 10	70
	380	12	48	2900	50	1	0,15	9,5	50	120	- 10	70
	220	14,5	51	3400	60	1	0,47	9	60	195	- 10	70
	380	14,5	51	3400	60	1	0,15	9	35	115	- 10	70

### Additional versions:

Salt spray protected - shock and vibration protected - marine specifications - wide temperature range

### Accessories:

See pages: 157, 160 and 163

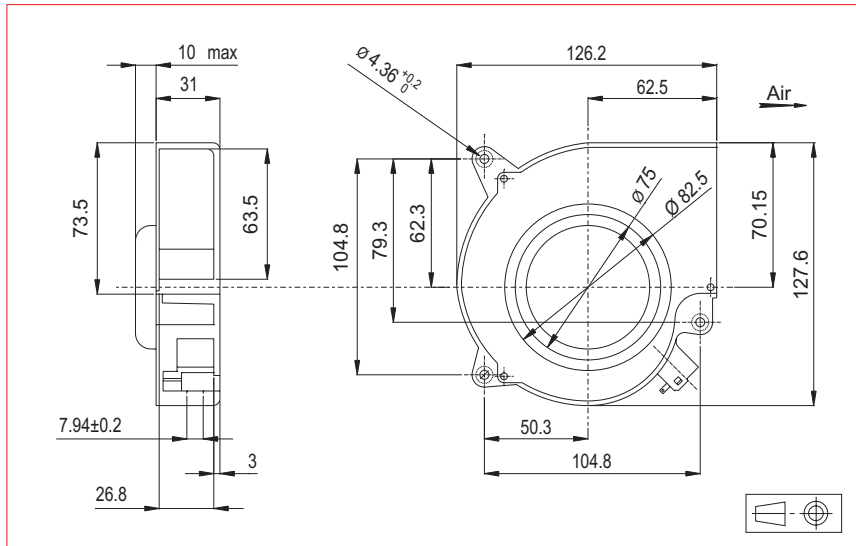
4,96" x 5,02" x 1,61"

126,2 x 127,6 x 41 mm

583CBA

**ETRI**<sup>®</sup>

AC Centrifugal Blowers



Approvals



Life expectancy

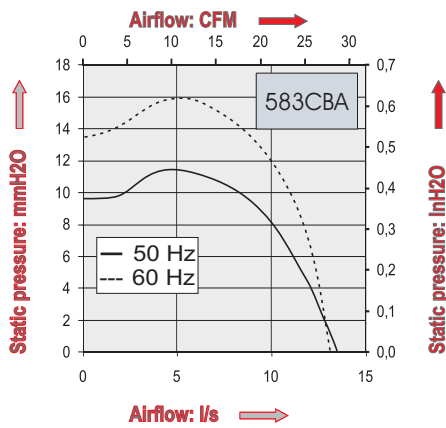
L-10 LIFE AT 40°C:  
25 000 hours

**AC Motor**

Electrical protection: impedance protected  
Housing material: zamak  
Impeller material: plastic UL 94 VO  
Weight: 800 g  
Bearing system: ball bearings  
Connection: terminals  
IP 20

Single phase

Available with:  
- Flying leads



Part Number	Nominal voltage	Airflow	Noise level	Nominal speed	Frequency	Input Power	Nominal current	Starting current	Operating temperature	
	V	l/s	dB(A)	RPM	Hz	W	mA	mA	Min.°C	Max.°C
583CBA0092000	115	13,5	49	2550	50	21	270	400	-10	55
		13,2	51	2500	60	20	250	350	-10	55
583CBA0091000	220	13,5	49	2550	50	21	140	210	-10	55
		13,2	51	2500	60	20	130	185	-10	55



# 144 x 155,8 x 209,5 mm

# ETRI®

AC Centrifugal Blowers

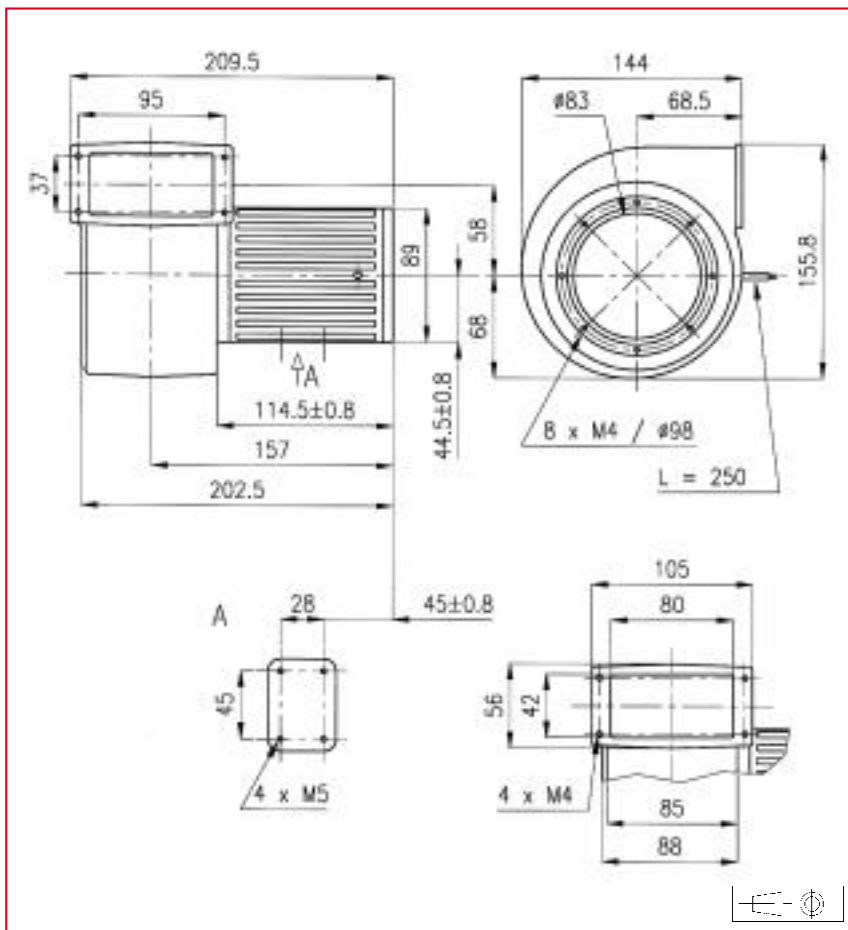
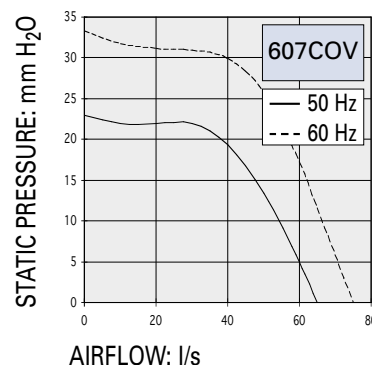


### Approvals

GAM T1 LISTED

### Life expectancy

L-10 LIFE AT 40°C:  
25 000 hours



### AC Motor

Housing material: aluminium  
Wheel material: steel plate  
Weight: 3,75 kg  
Bearing system: ball bearings

Connection: flying leads

### Available with:

- safety switch (see picture)

Part number	Nominal voltage	Airflow	Noise level	Nominal speed	Frequency	Phases	Capacitor (not included)	Input power	Nominal current	Starting current	Operating temperature	
	V										I/s	dB(A)
607COV016DC13	220	65	63	2900	50	3		50	245	1250	- 10	70
	380	65	63	2900	50	3		50	145	750	- 10	70
	220	72	66	3300	60	3		72	250	1150	- 10	70
	380	72	66	3300	60	3		72	145	700	- 10	70
	220	65	63	2900	50	1	4,7	54	250	1100	- 10	70
	380	65	63	2900	50	1	1,47	54	145	650	- 10	70
	220	72	66	3300	60	1	4,7	83	370	1000	- 10	70
	380	72	66	3300	60	1	1,47	83	215	600	- 10	70

### Additional versions:

Salt spray protected - shock and vibration protected - marine specifications - wide temperature range

### Accessories:

See pages: 157, 160 and 163

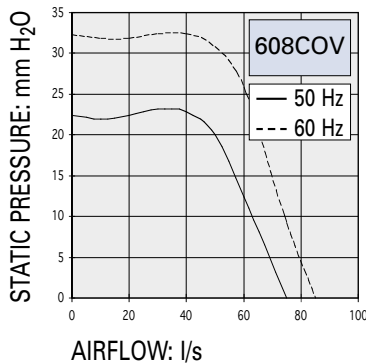


### Approvals

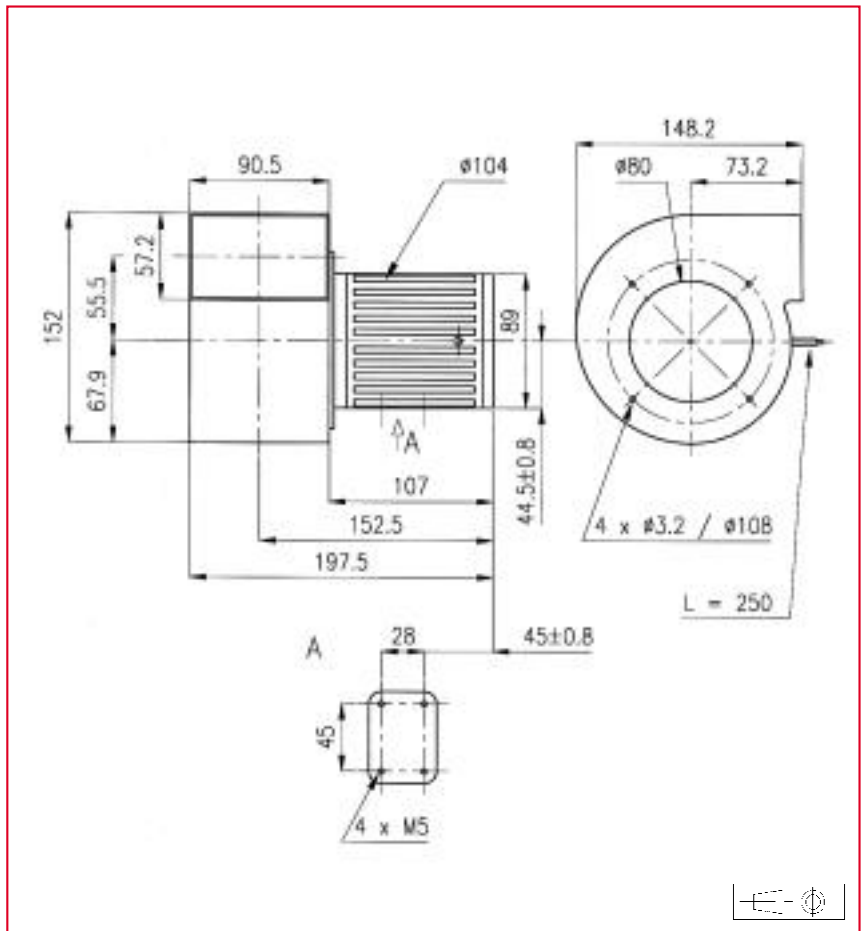
GAM T1 LISTED

### Life expectancy

L-10 LIFE AT 40°C:  
25 000 hours



# 148,2 x 152 x 197,5 mm



### AC Motor

Housing material: steel plate  
Wheel material: steel plate  
Weight: 3,45 kg  
Bearing system: ball bearings

Connection: flying leads

### Available with:

- safety switch

Part number	Nominal voltage	Airflow	Noise level	Nominal speed	Frequency	Phases	Capacitor (not included)	Input power	Nominal current	Starting current	Operating temperature	
	V	l/s	dB(A)	RPM	Hz		$\mu F$	W	mA	mA	Min. °C	Max. °C
608COV016DC13	220	74	64	2800	50	3		60	255	1250	- 10	70
	380	74	64	2800	50	3		60	150	750	- 10	70
	220	85	67	3200	60	3		87	285	1150	- 10	70
	380	85	67	3200	60	3		87	165	700	- 10	70
	220	74	64	2800	50	1	4,7	63	290	1100	- 10	70
	380	74	64	2800	50	1	1,47	63	170	650	- 10	70
	220	85	67	3200	60	1	4,7	98	440	1000	- 10	70
	380	85	67	3200	60	1	1,47	98	255	600	- 10	70

### Additional versions:

Salt spray protected - shock and vibration protected - marine specifications - wide temperature range

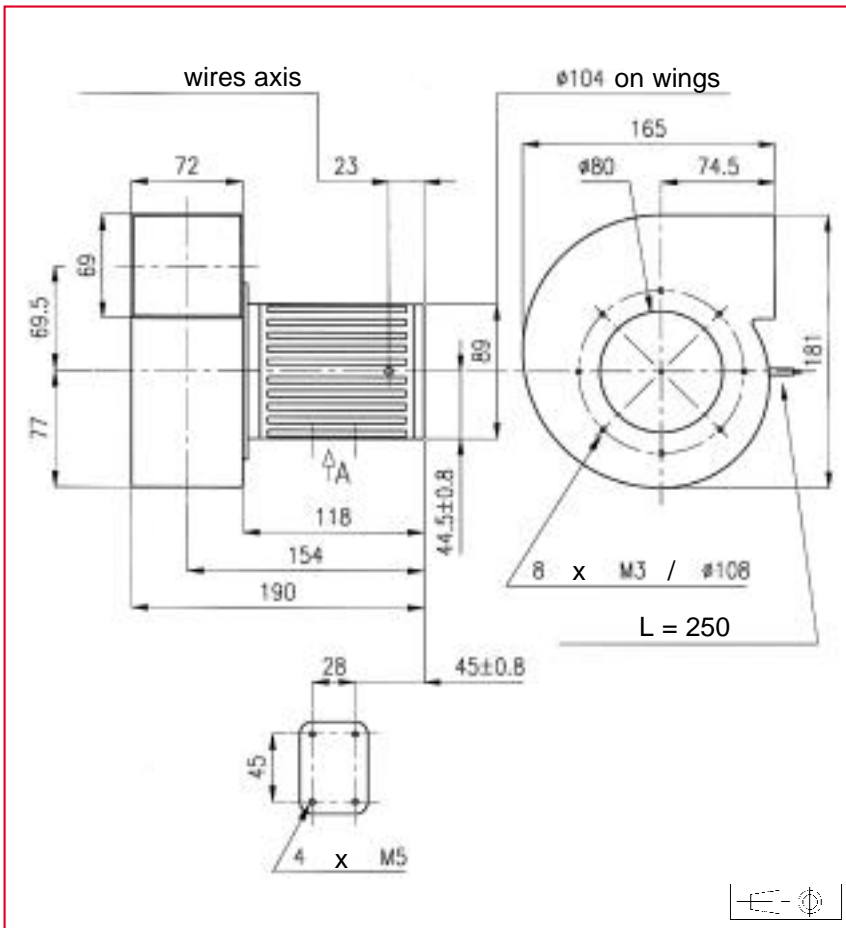
### Accessories:

See pages: 157, 160 and 163

# 165 x 181 x 190 mm

# ETRI®

AC Centrifugal Blowers

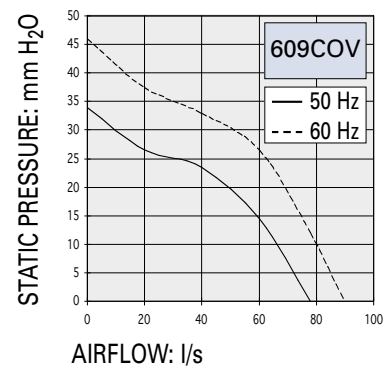


### Approvals

GAM T1 LISTED

### Life expectancy

L-10 LIFE AT 40°C:  
25 000 hours



### AC Motor

Housing material: steel plate  
Wheel material: steel plate  
Weight: 3,6 kg  
Bearing system : ball bearings

Connection : flying leads

### Available with:

- safety switch

Part number	Nominal voltage	Airflow	Noise level	Nominal speed	Frequency	Phases	Capacitor (not included)	Input power	Nominal current	Starting current	Operating temperature	
	V	l/s	dB(A)	RPM	Hz						Min. °C	Max. °C
609COV016DC13	220	79	65	2800	50	3		60	260	1250	- 10	70
	380	79	65	2800	50	3		60	150	750	- 10	70
	220	89	68	3200	60	3		88	295	1150	- 10	70
	380	89	68	3200	60	3		88	170	700	- 10	70
	220	79	65	2800	50	1	4,7	66	285	1100	- 10	70
	380	79	65	2800	50	1	1,47	66	160	650	- 10	70
	220	89	68	3200	60	1	4,7	97	440	1000	- 10	70
	380	89	68	3200	60	1	1,47	97	250	600	- 10	70

### Additional versions:

Salt spray protected - shock and vibration protected - marine specifications - wide temperature range

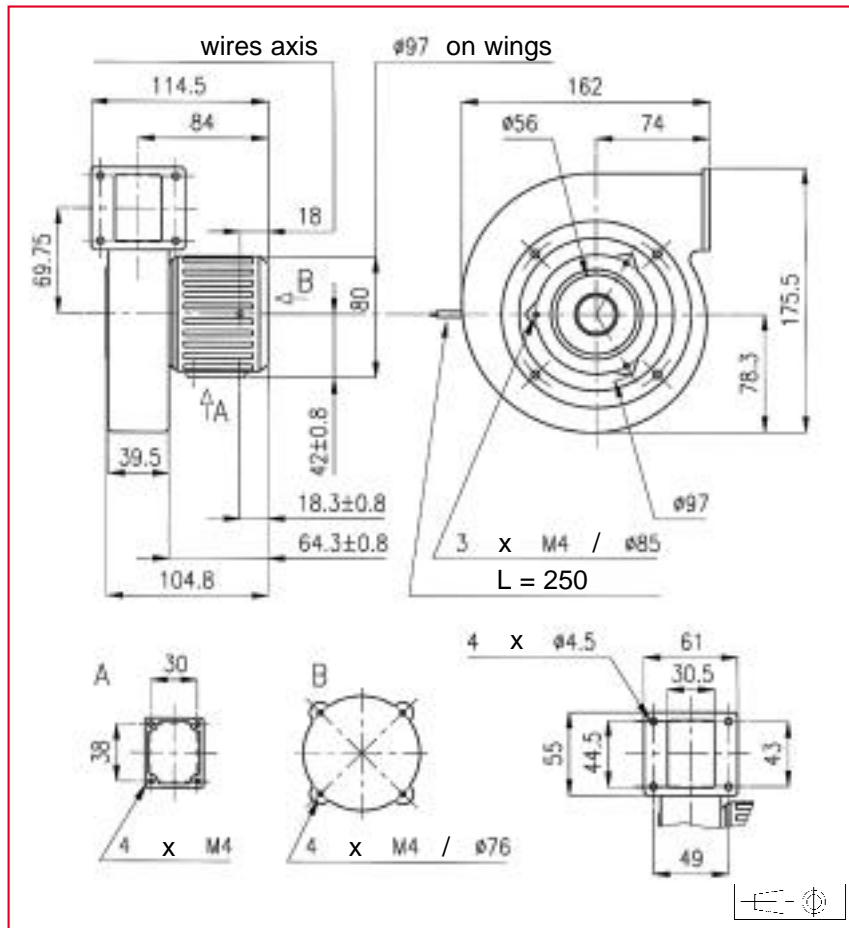
### Accessories:

See pages: 157, 160 and 163

# 162 x 175,5 x 114,5 mm

# ETRI®

AC Centrifugal Blowers

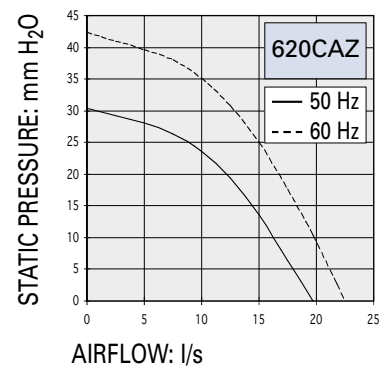


### Approvals

GAM T1 LISTED

### Life expectancy

L-10 LIFE AT 40°C:  
25 000 hours



### AC Motor

Housing material: aluminium  
Wheel material: plastic  
Weight: 2 kg  
Bearing system: ball bearings

Connection: flying leads

**Available with:**

Part number	Nominal voltage	Airflow	Noise level	Nominal speed	Frequency	Phases	Capacitor (not included)	Input power	Nominal current	Starting current	Operating temperature	
	V										I/s	dB(A)
620CAZ016DC13	220	20	63	2850	50	3		15	70	240	- 10	70
	380	20	63	2850	50	3		15	40	140	- 10	70
	220	23	60	3300	60	3		19	70	220	- 10	70
	380	23	60	3300	60	3		19	40	130	- 10	70
	220	20	63	2850	50	1	1,47	17	75	220	- 10	70
	380	20	63	2850	50	1	0,47	17	45	130	- 10	70
	220	23	60	3300	60	1	1,47	24	105	210	- 10	70
	380	23	60	3300	60	1	0,47	24	60	125	- 10	70

### Additional versions:

Salt spray protected - shock and vibration protected - marine specifications - wide temperature range

### Accessories:

See pages: 157, 160 and 163



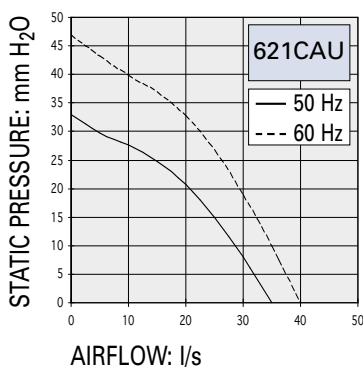


### Approvals

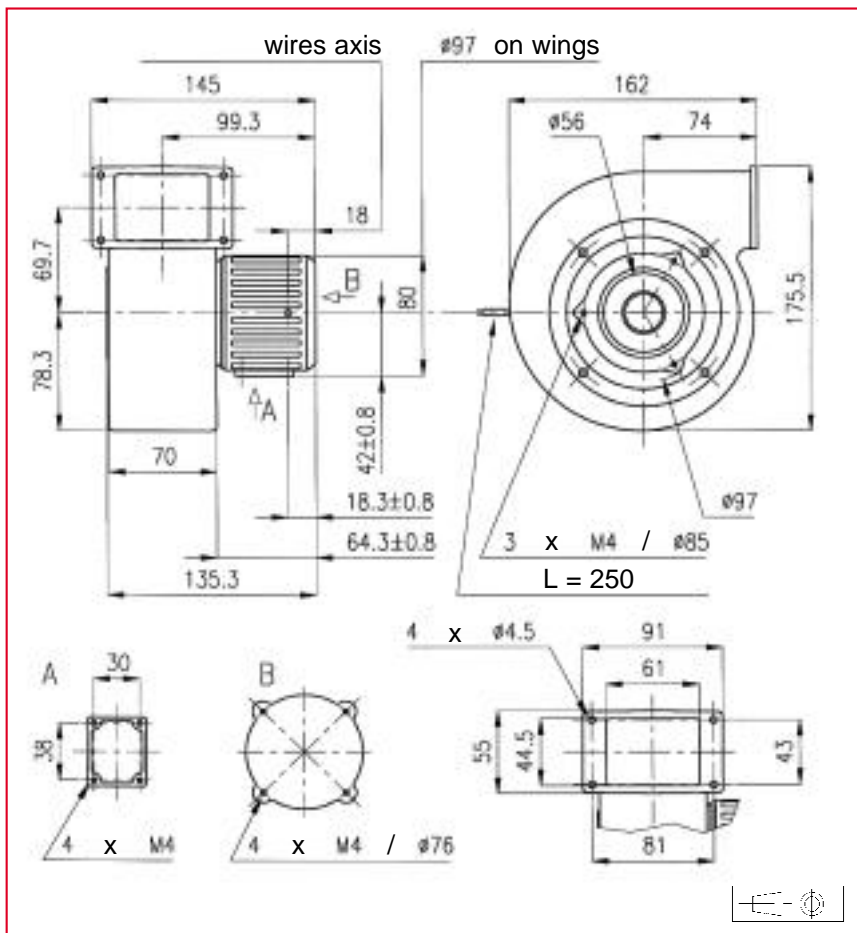
GAM T1 LISTED

### Life expectancy

L-10 LIFE AT 40°C:  
25 000 hours



# 162 x 175,5 x 145 mm



### AC Motor

Housing material: aluminium  
Wheel material: plastic UL 94 VO  
Weight: 2,3 kg  
Bearing system: ball bearings

Connection: flying leads

### Available with:

- safety switch

Part number	Nominal voltage	Airflow	Noise level	Nominal speed	Frequency	Phases	Capacitor (not included)	Input power	Nominal current	Starting current	Operating temperature	
	V	l/s	dB(A)	RPM	Hz		µF	W	mA	mA	Min. °C	Max. °C
621CAU016DC13	220	35	57	2800	50	3		25	120	360	- 10	70
	380	35	57	2800	50	3		25	70	210	- 10	70
	220	40	61	3200	60	3		30	110	330	- 10	70
	380	40	61	3200	60	3		30	65	190	- 10	70
	220	35	57	2800	50	1	1,47	24	130	305	- 10	70
	380	35	57	2800	50	1	0,47	24	75	180	- 10	70
	220	40	61	3200	60	1	1,47	31	145	290	- 10	70
	380	40	61	3200	60	1	0,47	31	85	170	- 10	70

### Additional versions:

Salt spray protected - shock and vibration protected - marine specifications - wide temperature range

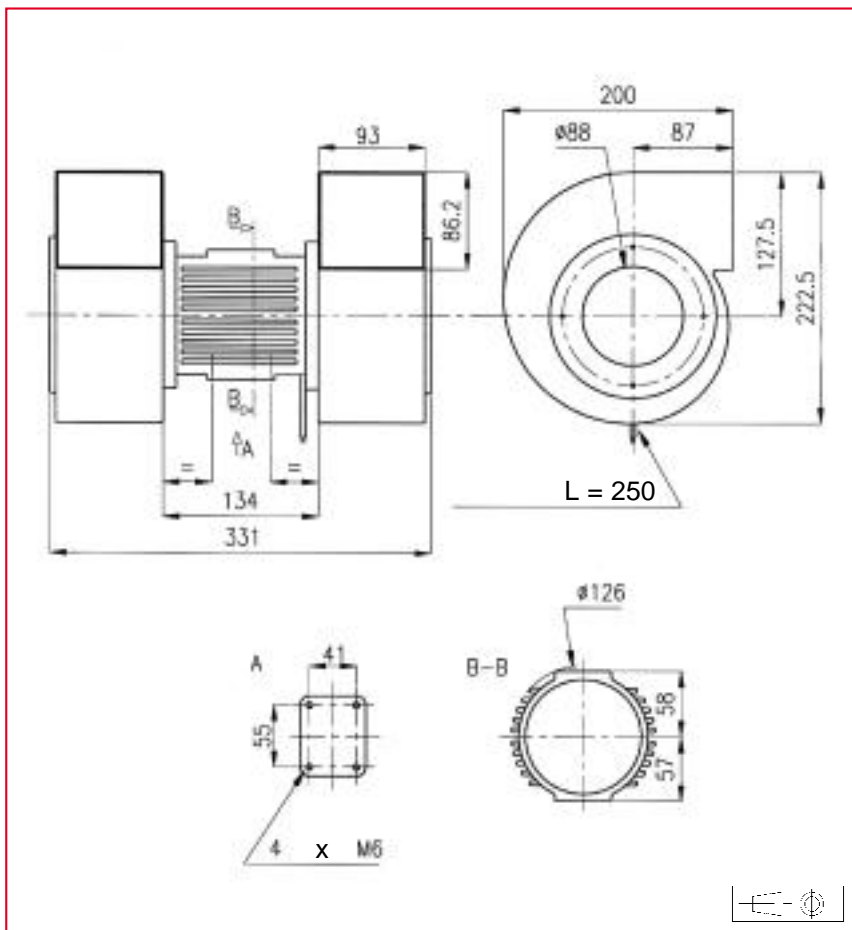
### Accessories:

See pages: 157, 160 and 163

# 200 x 222,5 x 331 mm

# ETRI®

AC Centrifugal Blowers

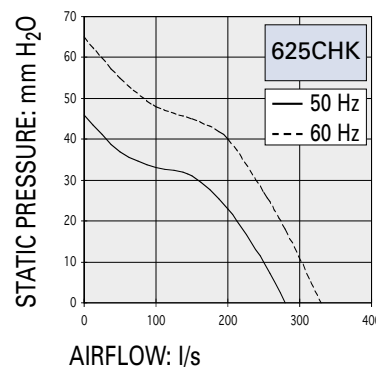


### Approvals

GAM T1 LISTED

### Life expectancy

L-10 LIFE AT 40°C:  
25 000 hours



### AC Motor

Housing material: steel plate  
Wheel material: steel plate  
Weight: 7,5 kg  
Bearing system: ball bearings

Connection: flying leads

Part number	Nominal voltage	Airflow	Noise level	Nominal speed	Frequency	Phases	Capacitor	Input power	Nominal current	Starting current	Operating temperature	
	V	l/s	dB(A)	RPM	Hz		(not included)		μF	W	mA	mA
625CHK216DC13	220	280	67	2850	50	3		250	1300	6300	- 10	70
	380	280	67	2850	50	3		250	750	3650	- 10	70
	220	320	71	3300	60	3		350	1300	5850	- 10	70
	380	320	71	3300	60	3		350	750	3400	- 10	70
	220	280	67	2850	50	1	14,7	245	1400	5400	- 10	70
	380	280	67	2850	50	1	5	245	800	3150	- 10	70
	220	320	71	3300	60	1	14,7	355	1700	4950	- 10	70
	380	320	71	3300	60	1	5	355	1150	2900	- 10	70

### Additional versions:

Salt spray protected - shock and vibration protected - marine specifications - wide temperature range

### Accessories:

See pages: 157, 160 and 163



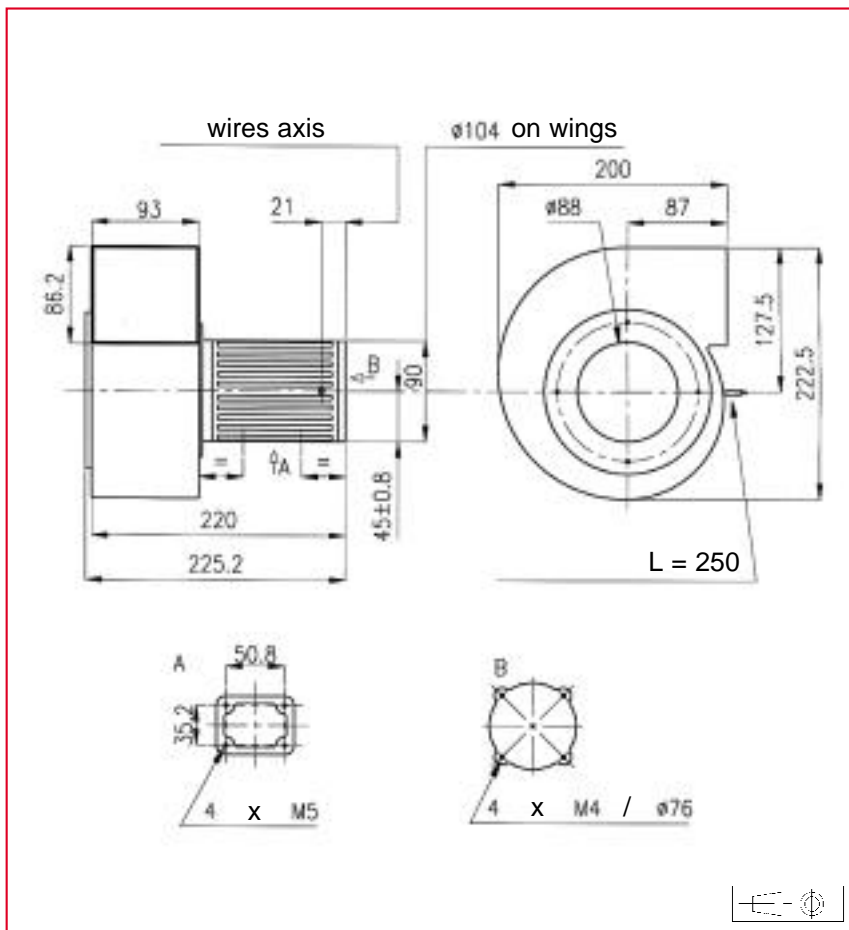
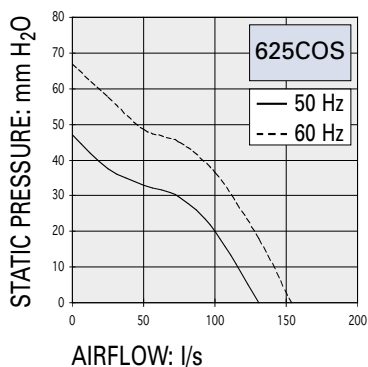


### Approvals

GAM T1 LISTED

### Life expectancy

L-10 LIFE AT 40°C:  
25 000 hours



### AC Motor

Housing material: steel plate  
Wheel material: steel plate  
Weight: 4,9 kg  
Bearing system: ball bearings

Connection: flying leads

### Available with:

- safety switch

Part number	Nominal voltage	Airflow	Noise level	Nominal speed	Frequency	Phases	Capacitor (not included)	Input power	Nominal current	Starting current	Operating temperature	
	V	l/s	dB(A)	RPM	Hz		µF	W	mA	mA	Min. °C	Max. °C
625COS016DC13	220	130	65	2850	50	3		156	560	2100	- 10	70
	380	130	65	2850	50	3		155	520	2500	- 10	70
	220	155	68	3300	60	3		223	610	2000	- 10	70
	380	155	68	3300	60	3		210	460	2150	- 10	70
	220	130	65	2850	50	1	6,9	156	1000	3600	- 10	70
	380	130	65	2850	50	1	2,2	155	900	4250	- 10	70
	220	155	68	3300	60	1	6,9	223	1100	3450	- 10	70
	380	155	68	3300	60	1	2,2	210	800	3700	- 10	70

### Additional versions:

Salt spray protected - shock and vibration protected - marine specifications - wide temperature range

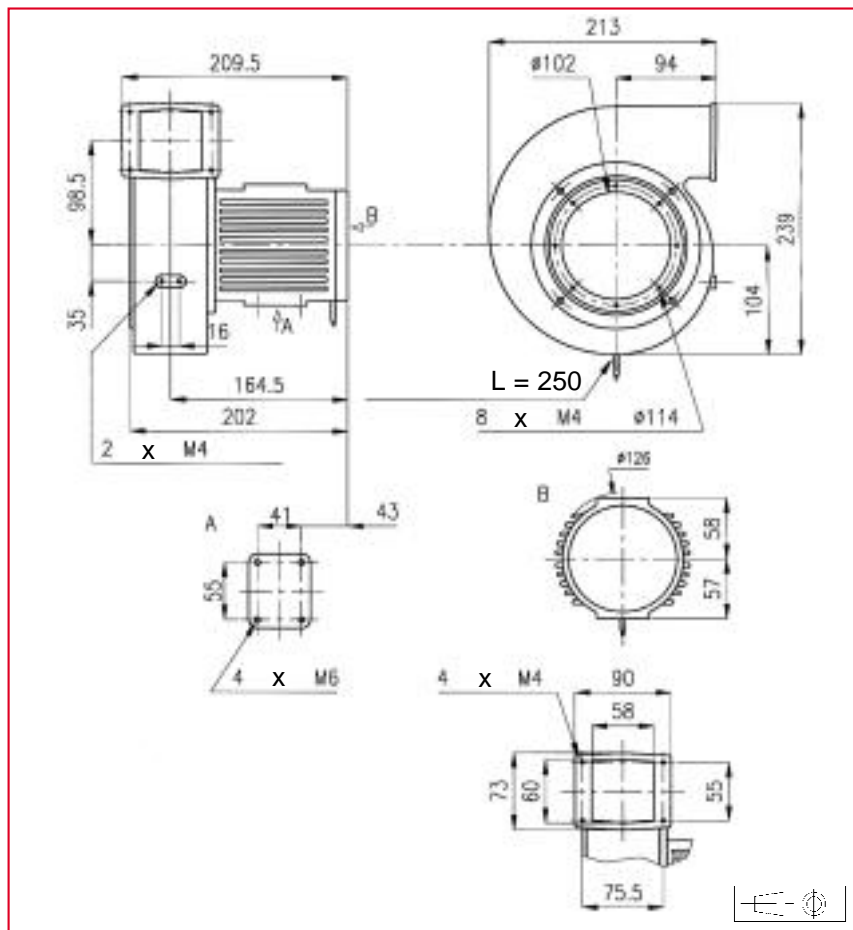
### Accessories:

See pages: 157, 160 and 163

# 213 x 239 x 209,5 mm

# ETRI®

AC Centrifugal Blowers

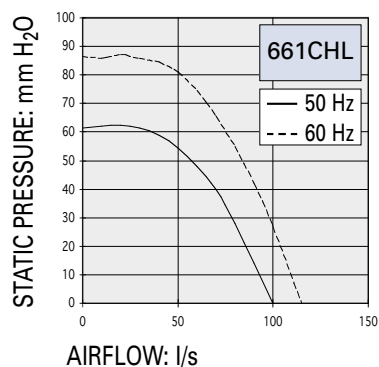


### Approvals

GAM T1 LISTED

### Life expectancy

L-10 LIFE AT 40°C:  
25 000 hours



### AC Motor

Housing material: aluminium  
Wheel material: steel plate  
Weight: 6,5 kg  
Bearing system: ball bearings

Connection : flying leads

### Available with:

- safety switch

Part number	Nominal voltage	Airflow	Noise level	Nominal speed	Frequency	Phases	Capacitor (not included)	Input power	Nominal current	Starting current	Operating temperature	
	V										I/s	dB(A)
661CHL016DC13	220	100	68	2850	50	3		150	700	3400	- 10	70
	380	100	68	2850	50	3		150	400	2000	- 10	70
	220	115	70,5	3250	60	3		225	800	3450	- 10	70
	380	115	70,5	3250	60	3		225	460	2000	- 10	70
	220	100	68	2850	50	1	10	155	750	3100	- 10	70
	380	100	68	2850	50	1	3,2	155	450	1800	- 10	70
	220	115	70,5	3250	60	1	10	240	1100	2850	- 10	70
	380	115	70,5	3250	60	1	3,2	240	650	1700	- 10	70

### Additional versions:

Salt spray protected - shock and vibration protected - marine specifications - wide temperature range

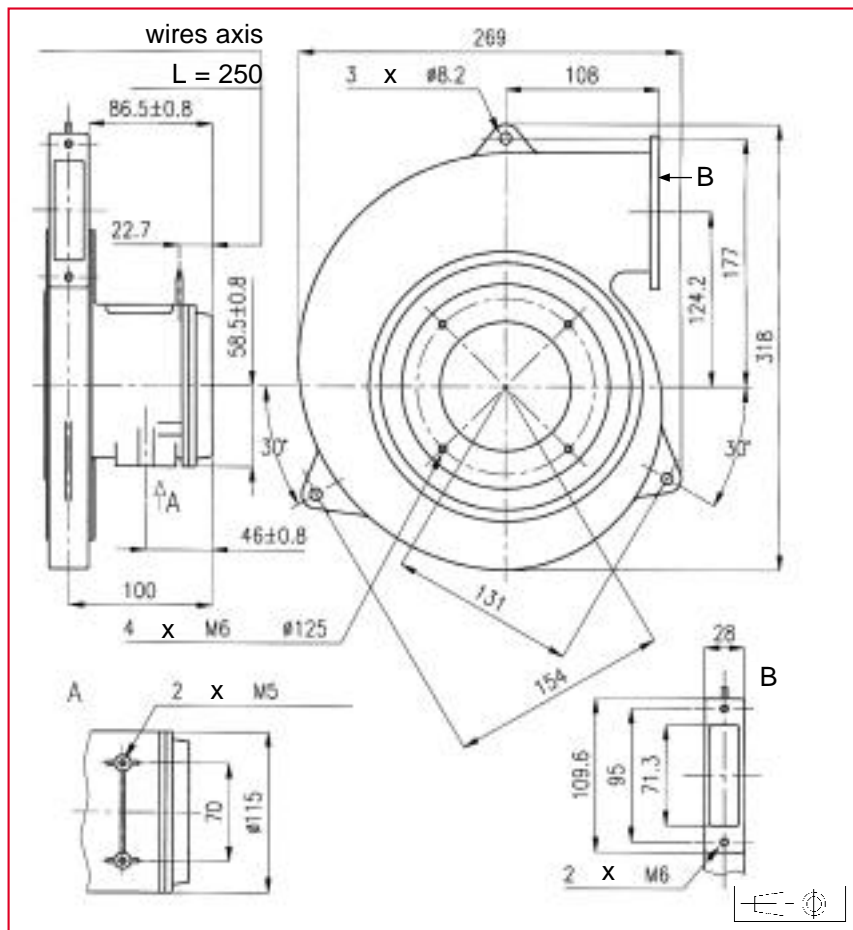
### Accessories:

See pages: 157, 160 and 163

# 269 x 318 x 118 mm

# ETRI®

AC Centrifugal Blowers

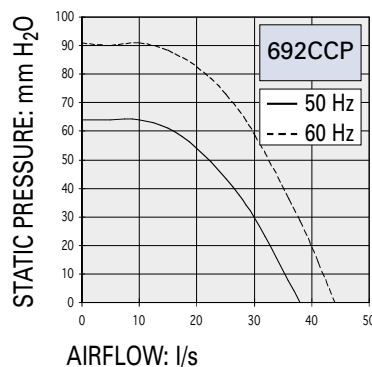


### Approvals

GAM T1 LISTED

### Life expectancy

L-10 LIFE AT 40°C:  
25 000 hours



### AC Motor

Housing material: aluminium  
Wheel material: plastic  
Weight: 4,75 kg  
Bearing system: ball bearings

Connection : flying leads

### Available with:

- safety switch

Part number	Nominal voltage	Airflow	Noise level	Nominal speed	Frequency	Phases	Capacitor (not included)	Input power	Nominal current	Starting current	Operating temperature	
	V										l/s	dB(A)
692CCP016DC13	220	38	68	2850	50	3		67	350	1750	- 10	70
	380	38	68	2850	50	3		67	200	1000	- 10	70
	220	44	73	3350	60	3		88	310	1650	- 10	70
	380	44	73	3350	60	3		88	180	950	- 10	70
	220	38	68	2850	50	1	4,7	65	350	1500	- 10	70
	380	38	68	2850	50	1	1,47	65	200	900	- 10	70
	220	44	73	3350	60	1	4,7	92	420	1400	- 10	70
	380	44	73	3350	60	1	1,47	92	240	800	- 10	70

### Additional versions:

Salt spray protected - shock and vibration protected - marine specifications - wide temperature range

### Accessories:

See pages: 157, 160 and 163

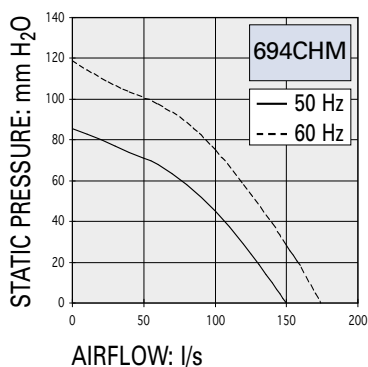


### Approvals

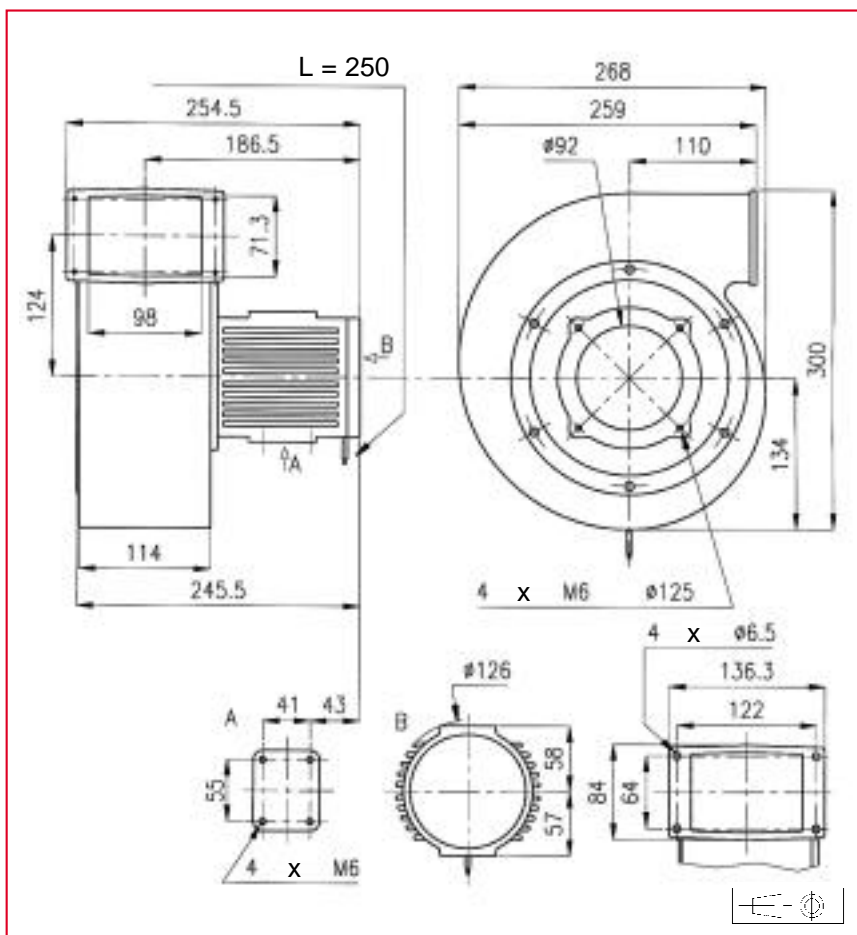
GAM T1 LISTED

### Life expectancy

L-10 LIFE AT 40°C:  
25 000 hours



# 268 x 300 x 254,5 mm



### AC Motor

Housing material: aluminium  
Wheel material: aluminium  
Weight: 6,5 kg  
Bearing system: ball bearings

Connection: flying leads

### Available with:

- safety switch

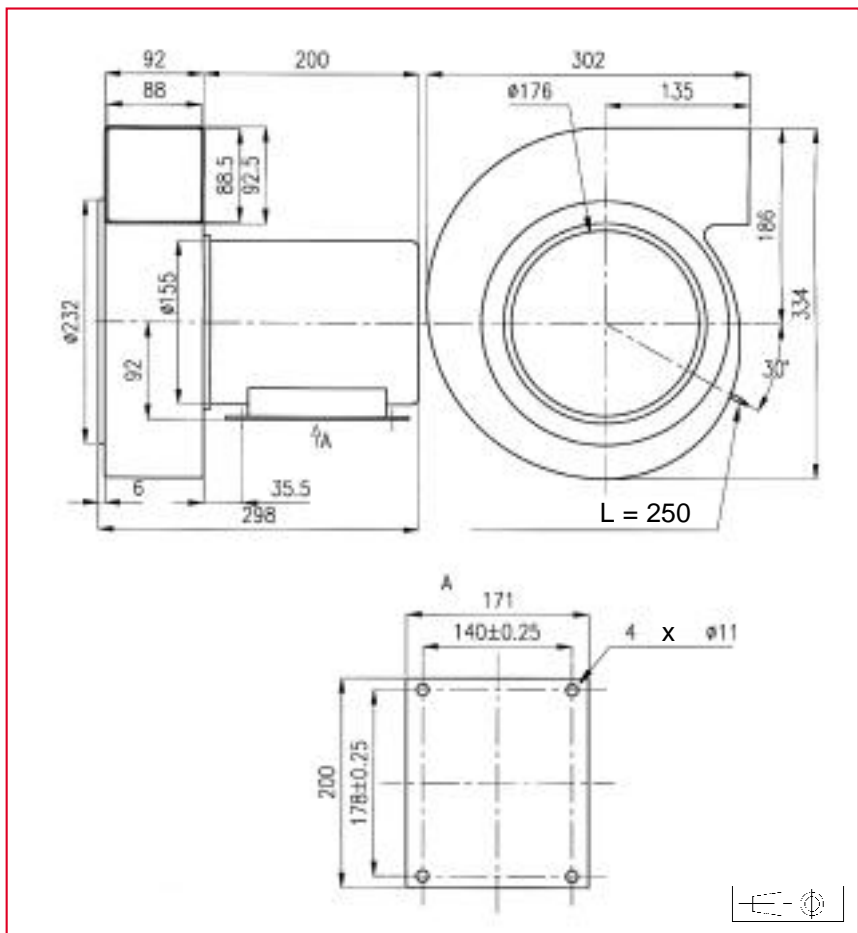
Part number	Nominal voltage	Airflow	Noise level	Nominal speed	Frequency	Phases	Capacitor (not included)	Input power	Nominal current	Starting current	Operating temperature	
	V	l/s	dB(A)	RPM	Hz		µF	W	mA	mA	Min. °C	Max. °C
694CHM016DC13	220	150	72	2900	50	3		180	900	4850	- 10	70
	380	150	72	2900	50	3		180	950	4300	- 10	70
	220	175	75	3300	60	3		265	1000	4600	- 10	70
	380	175	75	3300	60	3		265	1300	4000	- 10	70
	220	150	72	2900	50	1	12,2	185	950	4300	- 10	70
	380	150	72	2900	50	1	4	185	550	2500	- 10	70
	220	175	75	3300	60	1	12,2	275	1300	4000	- 10	70
	380	175	75	3300	60	1	4	275	800	2350	- 10	70

### Additional versions:

Salt spray protected - shock and vibration protected - marine specifications - wide temperature range

### Accessories:

See pages: 157, 160 and 163

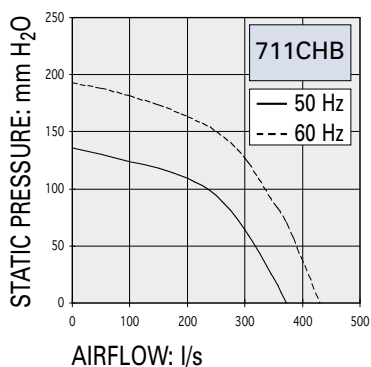


### Approvals

GAM T1 LISTED

### Life expectancy

L-10 LIFE AT 40°C:  
25 000 hours



### AC Motor

Housing material: aluminium  
Wheel material: aluminium  
Weight: 19 kg  
Bearing system: ball bearings

Connection: flying leads

### Available with:

- safety switch

Part number	Nominal voltage	Airflow	Noise level	Nominal speed	Frequency	Phases	Capacitor	Input power	Nominal current	Starting current	Operating temperature	
	V										l/s	dB(A)
711CHB016DC13	220	370	79	2850	50	3		1000	3000	17000	- 10	70
	380	370	79	2850	50	3		1000	1750	10000	- 10	70
	220	420	82	3200	60	3		1550	4300	16000	- 10	70
	380	420	82	3200	60	3		1550	2500	9500	- 10	70

### Additional versions:

Other voltage - salt spray protected - shock and vibration protected - marine specifications - wide temperature range