



Series: H-type (310mm – 450mm)

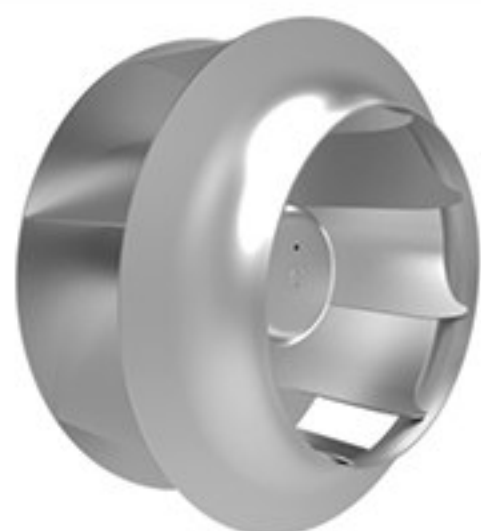
Size = Blade diameter = Outside Diameter

Number of blades = 6

Material: Polyamid 6.6 with 30% fiber glass.

The back plate of the impeller is galvanized steel.

Aluminum impellers are available as an option

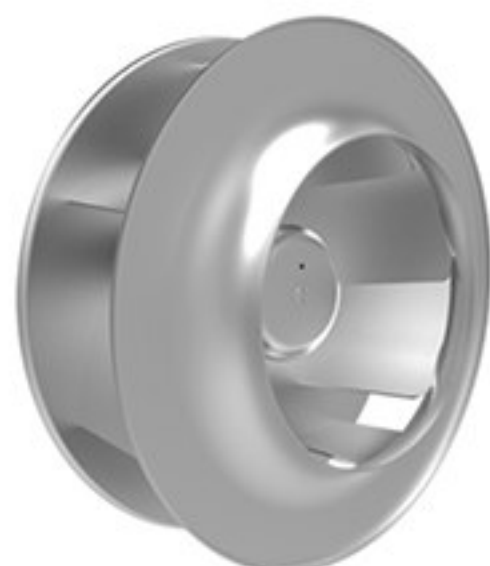


Series: W-type (225mm – 800mm)

Size = Blade diameter = Outside Diameter

Number of blades = 8

Material: Aluminum



Series: B-type (250mm – 710mm)

Size = Blade diameter < Outside Diameter

Number of blades = 7 + Outlet diffuser

Note: The outlet diffuser converts dynamic pressure components into static pressure components =>Efficiency increase

Material: Aluminum



NEW Series: E-type (315mm – 560mm)

Size = Blade diameter ~ Outside Diameter

Number of blades = 7 (airfoil-profile) + small diffuser

Note: The airfoil-profiled blades reduce the noise level

Material: glass-fiber reinforced plastic