

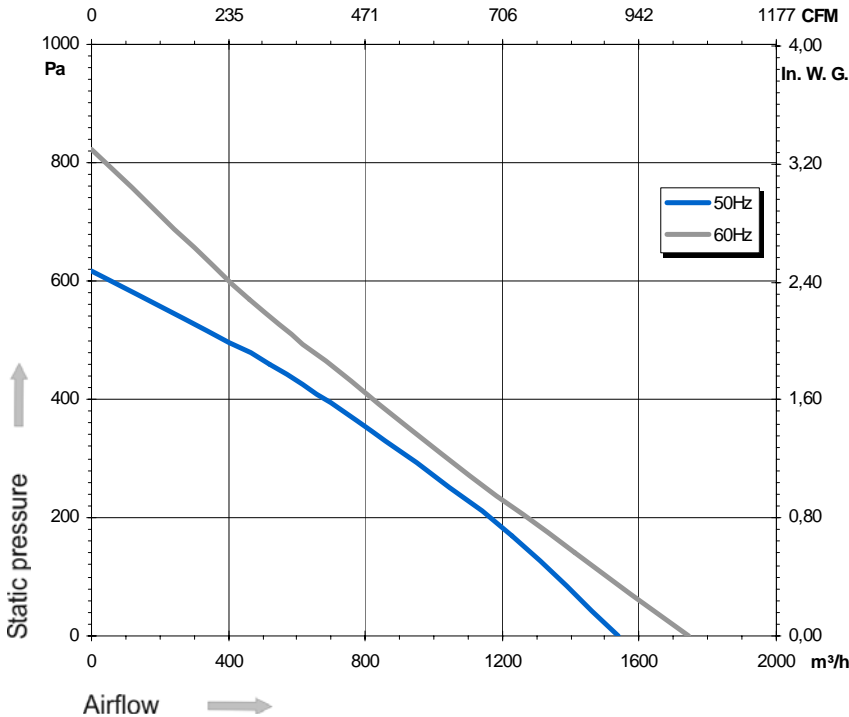
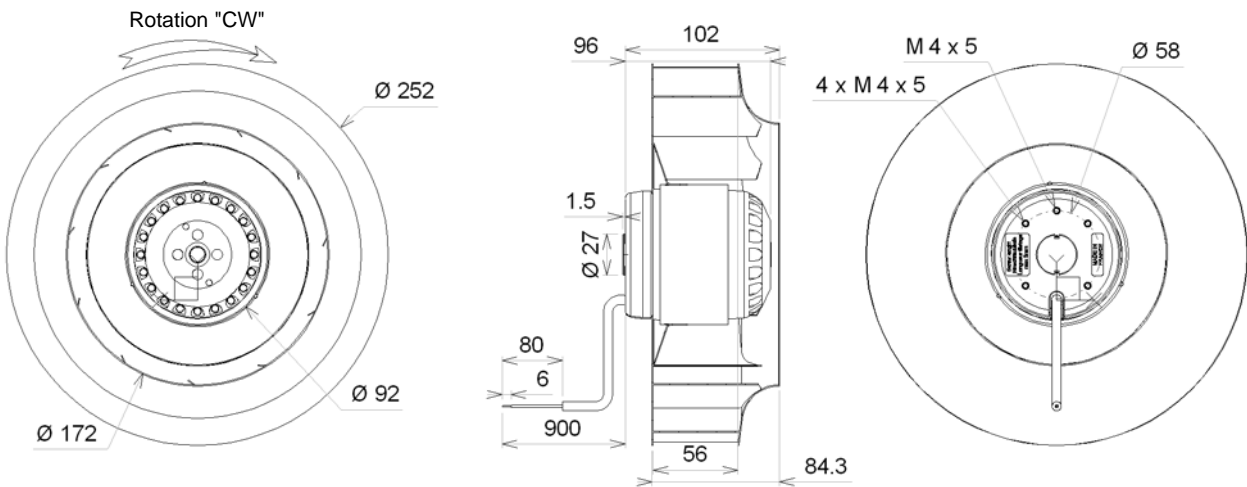
Ind. c - Revision : 09-2004

2RREu45 250x56R

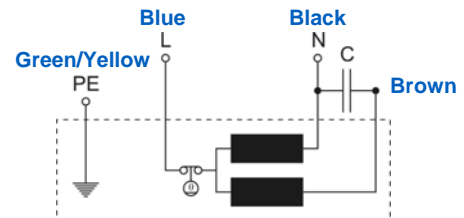
P/N Z27-03



Voltage	Frequency	Input power	Current	Capacitor	Airflow	Speed rotation	Noise level	Rotation direction	Operating temperature
V	Hz	Wa	A	µF	m³/h	RPM	dBA	↻	Min / Max
230	50	190	0,83	6,0	1 540	2 700	74	R	-40°C / +60°C
230	60	259	1,13	6,0	1 745	3 030	76	R	-40°C / +70°C



- Ball bearing
- Class F, thermally protected
- IP44 protection
- G2.5 balancing
- Rotor : black paint
- Galvanized steel impeller
- UL approved motor



Capacitor for 50Hz	Capacitor for 60Hz	Inlet cone
19221-a	19221-a	16114-0

Non contractual document. All specifications are subject to change without prior notice. Picture for information only.