

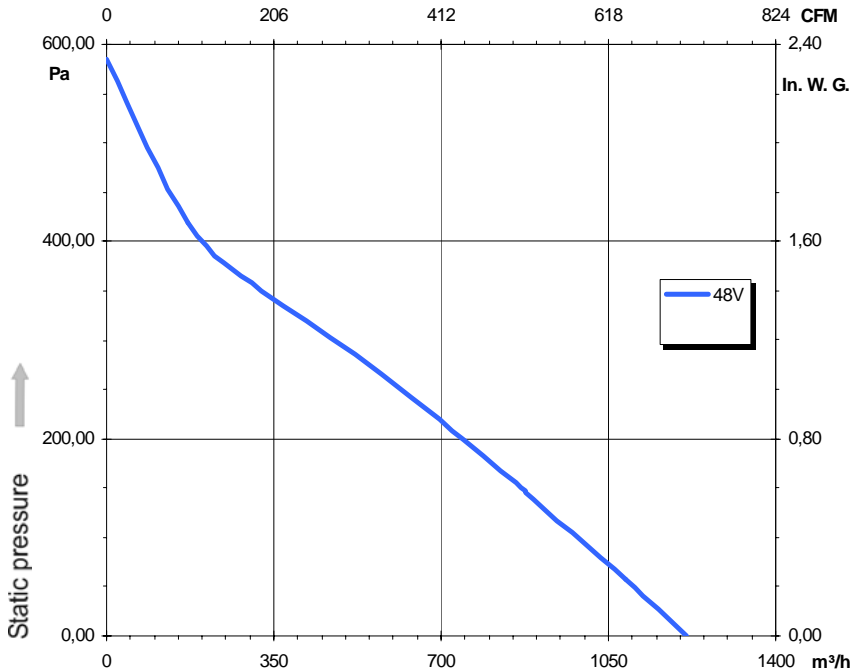
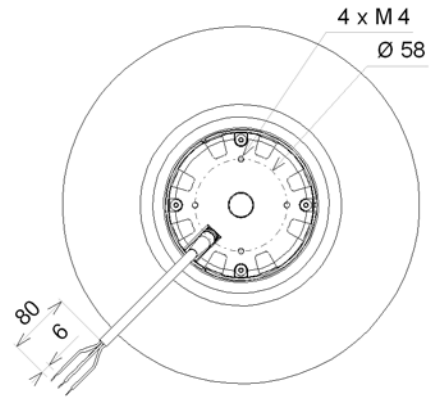
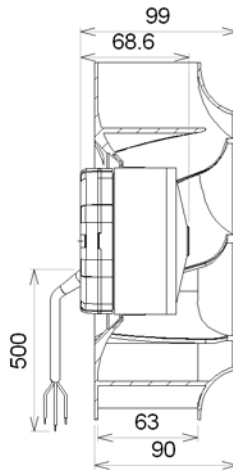
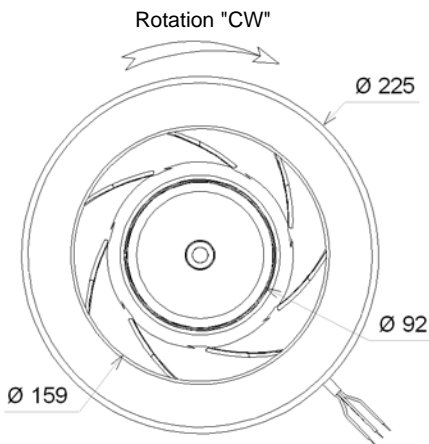


Ind. 0 - Revision : 05-2005

## RRE48 225x63R P/N C16-B0

Substitute for Y43-16

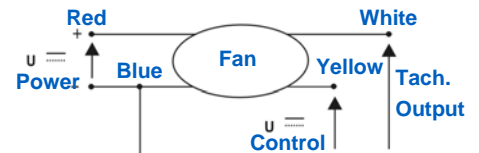
Voltage	Frequency	Input power	Current	Capacitor	Airflow	Speed rotation	Noise level	Rotation direction	Operating temperature
V	Hz	Wa	A	µF	m³/h	RPM	dBA	↻	Min / Max
48	-	116	2,43	-	1 215	2 335	68	R	-20°C / +70°C



- Nominal voltage 48VDC (36-60VDC)
- Reverse polarity protection
- Soft start
- Locked rotor protection
- Tachometer output (open collector)
- Controlled by 0-10VDC or PWM signal
- IP44 protection

Zinc Coated      Inlet cone

21194-a      16133-a



Non contractual document. All specifications are subject to change without prior notice. Picture for information only.