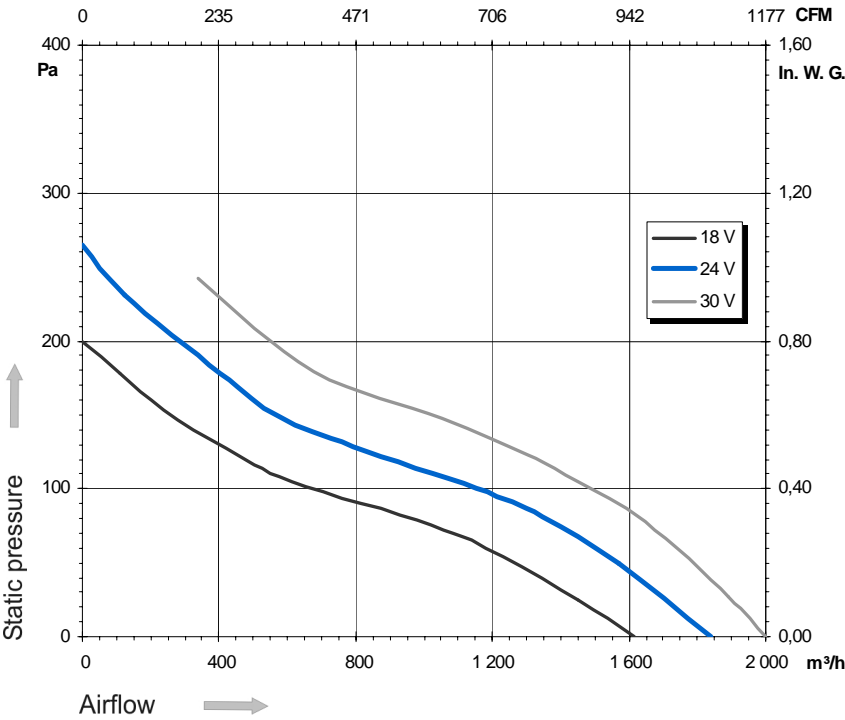
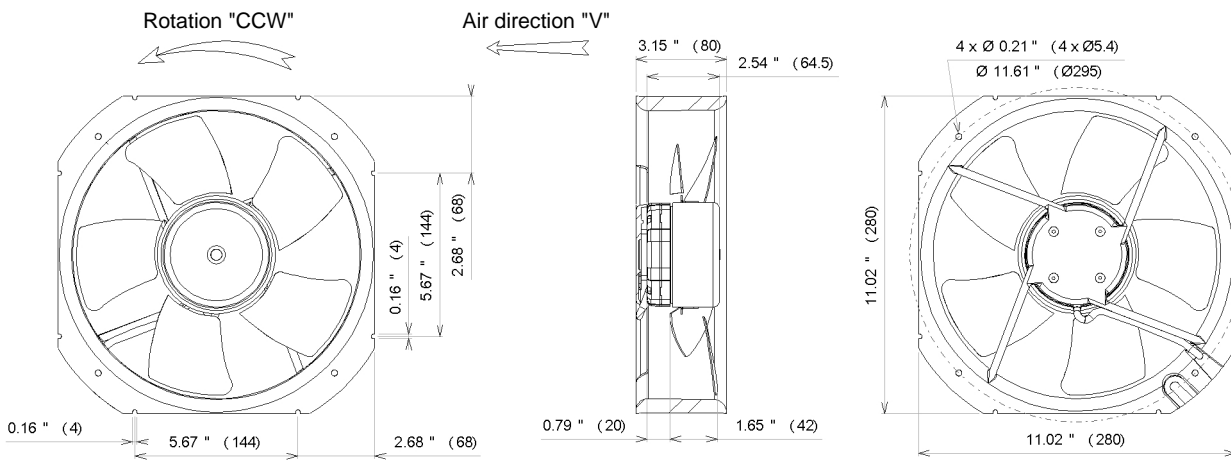
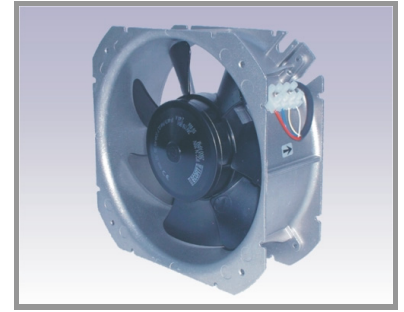


Ind. d - Revision : 04-2008

## VGC24 250V P/N D40-A2

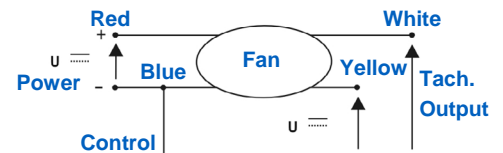
Voltage	Input power	Current	Airflow	Speed rotation	Noise level	Rotation direction	Operating temperature
V	W <sub>a</sub>	A	m <sup>3</sup> /h	RPM	dBA	↻	Min / Max
24	93	3,85	1 840	3 055	70	L	-20°C / +70°C
24			1083 CFM				-4°F / +158°F



- Weight : 2,3 Kg
- Nominal voltage 24VDC (18-30VDC)
- Reverse polarity protection
- Soft start
- Locked rotor protection
- Tachometer output (open collector)
- Controlled by 0-10VDC or PWM signal
- IP44 protection
- Aluminium ring
- G6.3 balancing
- Connexion block fixed on ring

Finger guard

21369



Non contractual document. All specifications are subject to change without prior notice. Picture for information only.