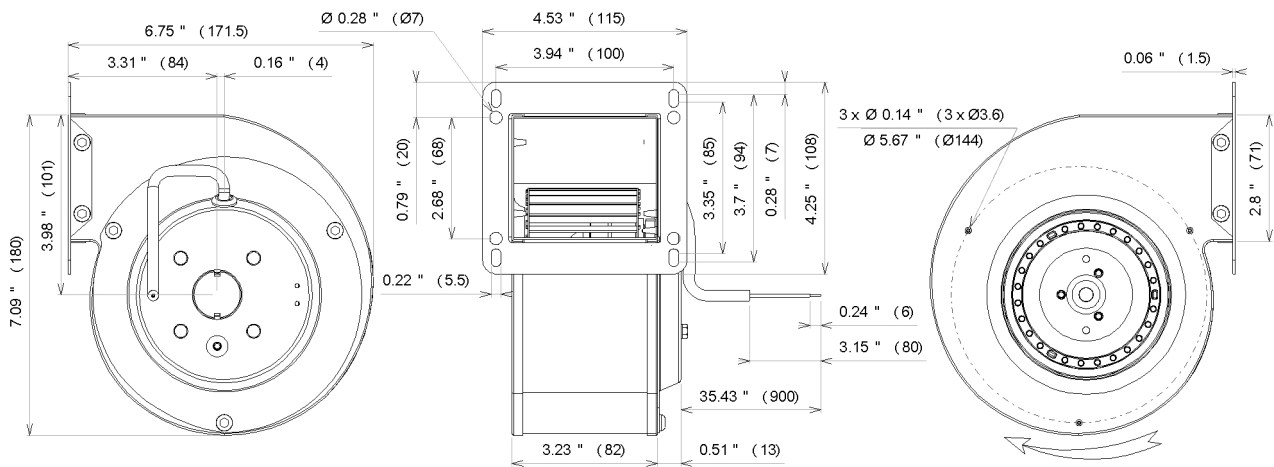


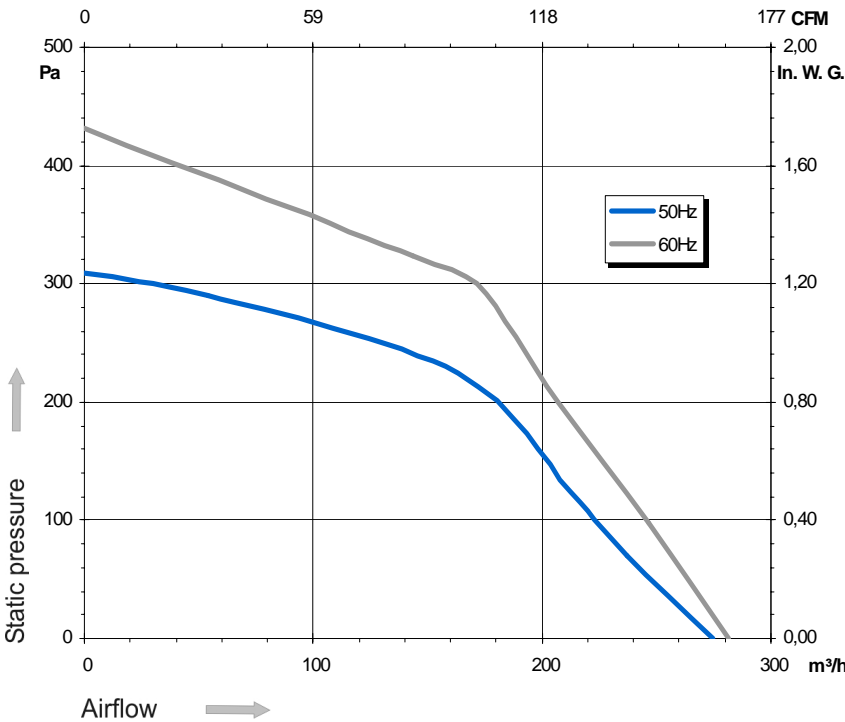
Ind. b - Revision : 04-2007

2GREu15 120x62R P/N C48-A5

Voltage	Frequency	Input power	Current	Capacitor	Airflow	Speed rotation	Noise level	Rotation direction	Operating temperature
V	Hz	Wa	A	μF	m³/h	RPM	dBA	↻	Min / Max
115	50	69	0,64	6,0	275	2 040	53	R	-40°C / +70°C
115	60	83	0,76	6,0	282	2 000	53	R	-40°C / +70°C
115	50				161 CFM				-40°F / +158°F
115	60				165 CFM				-40°F / +158°F



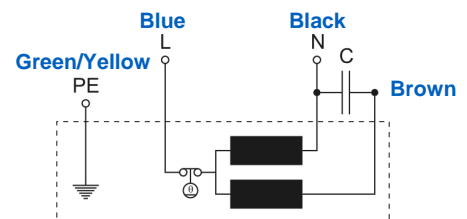
Rotation "CW"



- Weight : 1,8 Kg
- Ball bearing
- Class F, thermally protected
- IP44 protection
- G2.5 balancing
- Galvanized steel impeller
- Rotor : black paint
- Scroll housing : black paint
- UL approved motor



Capacitor for 50Hz	Capacitor for 60Hz	Finguer guard	Inlet cone
19221	19221	21236	16104



Non contractual document. All specifications are subject to change without prior notice. Picture for information only.