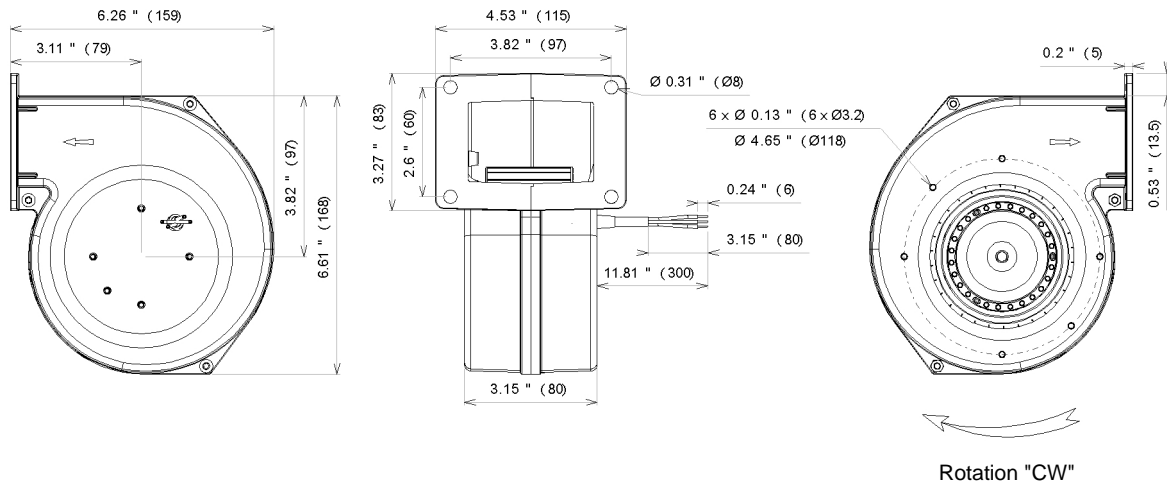


Ind. a - Revision : 04-2007

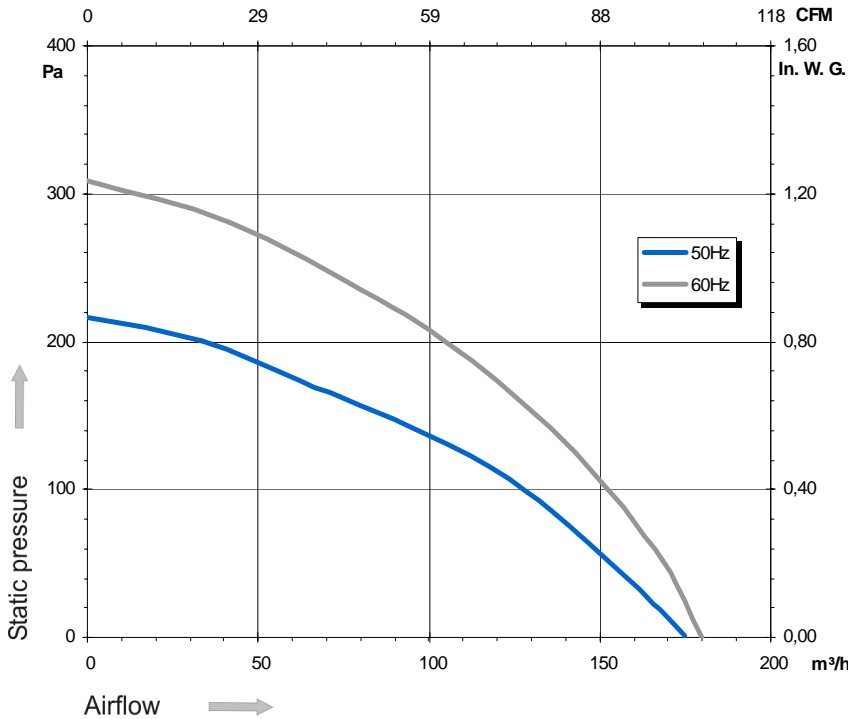
2GREuB3 108x52R

P/N F07-A7

Voltage	Frequency	Input power	Current	Capacitor	Airflow	Speed rotation	Noise level	Rotation direction	Operating temperature
V	Hz	Wa	A	µF	m³/h	RPM	dBA	↻	Min / Max
115	50	44	0,39	4,0	175	2 150	50	R	-40°C / +70°C
115	60	48	0,42	4,0	180	2 270	51	R	-40°C / +70°C
115	50				103 CFM				-40°F / +158°F
115	60				105 CFM				-40°F / +158°F



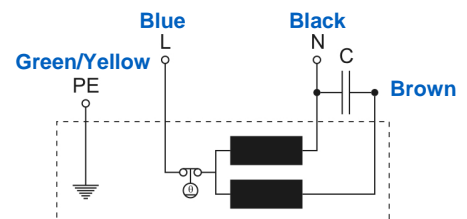
Rotation "CW"



- Weight : 1,2 Kg
- Ball bearing
- Class F, thermally protected
- IP44 protection
- G2.5 balancing
- Galvanized steel impeller
- Rotor : black paint
- PA6/6 UL94 V-0 plastic scroll housing
- UL approved motor



Capacitor for 50Hz	Capacitor for 60Hz	Finguer guard	Inlet cone
19220	19220	21367	16203



Non contractual document. All specifications are subject to change without prior notice. Picture for information only.