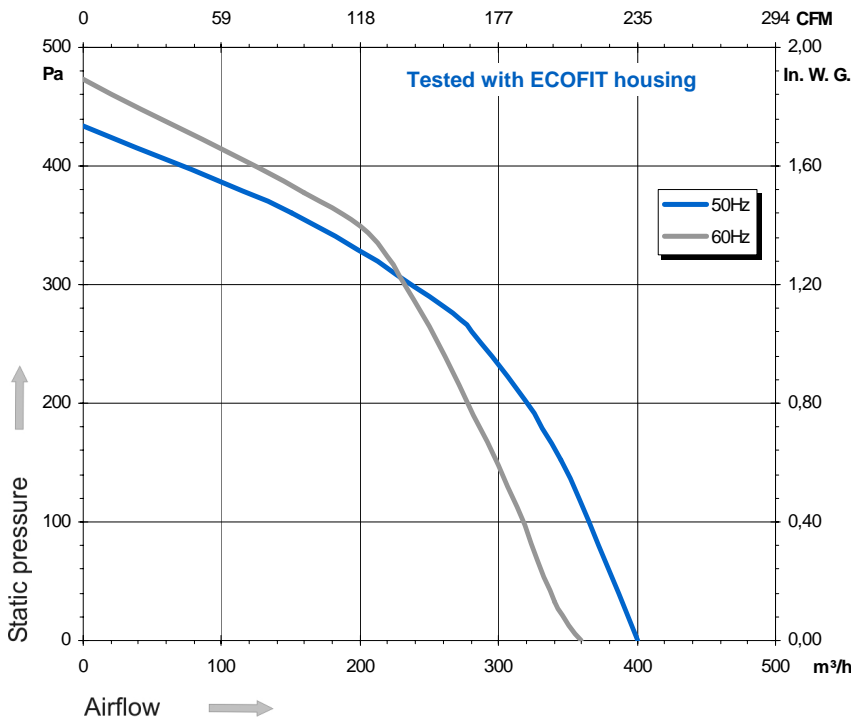
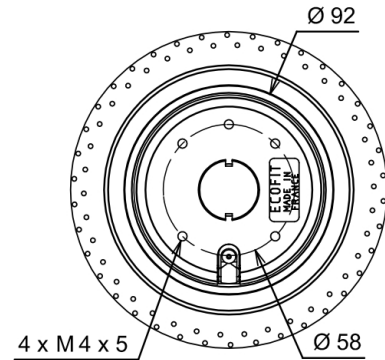
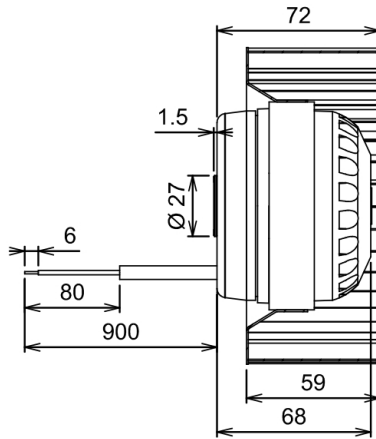
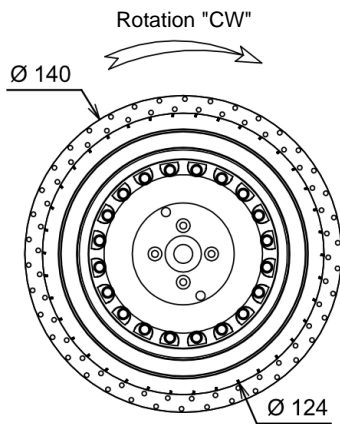


Ind. 0 - Revision : 10-2004

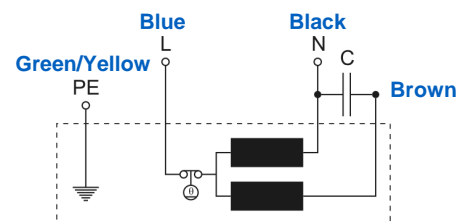
## 2TREu20 140x59R P/N C45-B5



Voltage	Frequency	Input power	Current	Capacitor	Airflow	Speed rotation	Noise level	Rotation direction	Operating temperature
V	Hz	Wa	A	µF	m³/h	RPM	dBA	↻	Min / Max
230	50	125	0,56	2,5	400	1 575	55	R	-40°C / +60°C
230	60	138	0,62	2,5	360	1 405	53	R	-40°C / +60°C



- Ball bearing
- Class F, thermally protected
- IP44 protection
- G2.5 balancing
- Galvanized steel impeller
- Rotor : black paint
- UL approved motor



Capacitor for 50Hz	Capacitor for 60Hz	Zinc Coated	Inlet cone
19218-0	19218-0	21325-0	16043-a

Non contractual document. All specifications are subject to change without prior notice. Picture for information only.